

HD 10-A MK4

ACTIVE TWO-WAY SPEAKER



DESCRIPTION

The HD10-A MK4 two way active speaker is the perfect companion for rentals, productions, music performance and speech reinforcement. RCF cares about your sound. The vocals are natural, the sound is clear at long distances, the SPL power is stable at very high levels. The concept of the HD-Line derives from the touring industry, bringing in a elegant and compact cabinet all the experience of RCF professional sound with the maximum reliability and strength for the intensive use on the road. Perfect as a main front of house in small PA systems, high powered monitoring and unobtrusive fixed installation.

MAIN APPLICATIONS

- Live Sound
- Rental
- Portable PA
- Stage Monitoring
- Clubs

MAIN FEATURES

- 800 watt 2-way peak power
- 128 dB max SPL
- Digital bi-amplification, SMPS
- DSP sound processing
- 90° x 70°, wide dispersion constant directivity horn
- 10" woofer, high power, 2.0" voice coil
- 1.0" HF driver, titanium dome, neodymium 1.0" voice coil
- FIRPHASE processing

ACOUSTICAL SPECIFICATIONS

Frequency response:	50 Hz ÷ 20000 Hz
Max SPL:	128 dB
Horizontal coverage angle:	90°
Vertical coverage angle:	60°
Compression driver:	1.0", 1.7" v.c.
Woofer:	10", 2.0" v.c.

INPUT/OUTPUT SECTION

Input signal:	bal/unbal
Input/Output connector:	XLR, Jack
Input sensitivity:	- 2 dBu / + 4 dBu

PROCESSOR SECTION

Crossover frequencies:	2000 Hz
Protections:	thermal, rms
Limiter:	soft limiter
Controls:	Boost, Volume, Mic/Line

AMPLIFIER

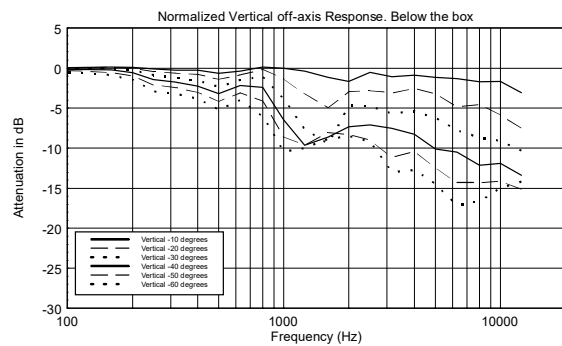
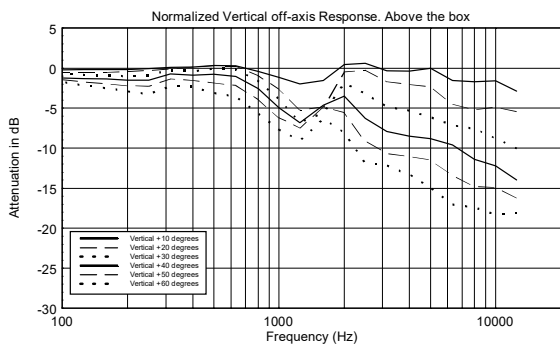
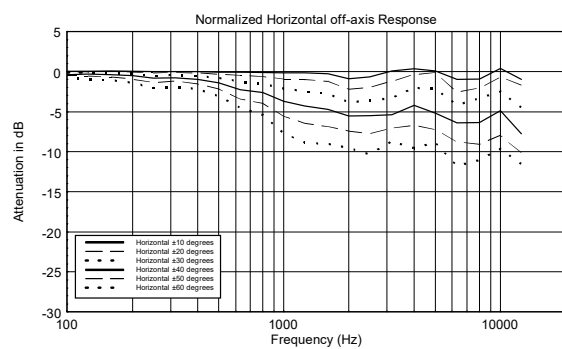
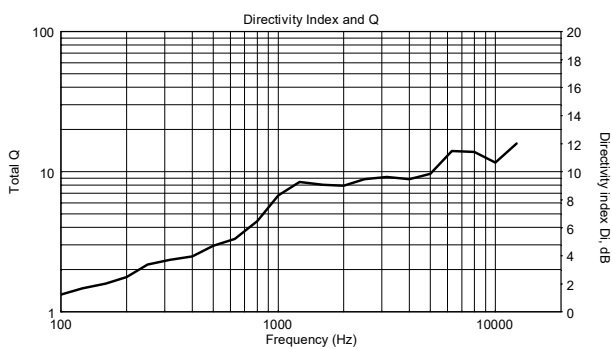
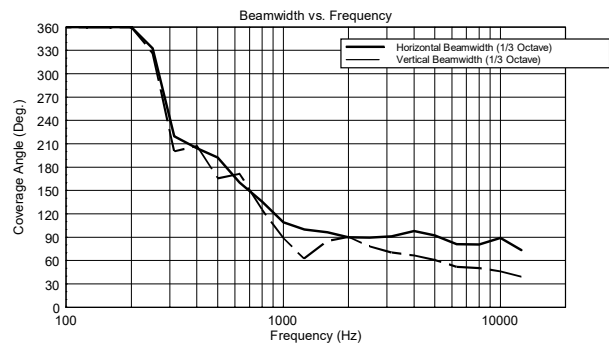
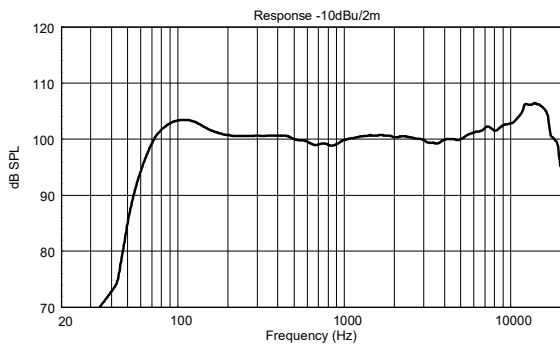
Total Power:	800 W PEAK - 400 W RMS
High frequencies:	200 W PEAK - 100 W RMS
Low frequencies:	600 W PEAK - 300 W RMS
Cooling:	convection
Connection:	VDE

PHYSICAL

Height:	527 mm (20.75")
Width:	303 mm (11.93")
Depth:	303 mm (11.93")
Weight:	11.8 Kg (26.01 kg/lbs)
Cabinet:	PP Composite
Hardware:	1 x M10 top, 1 x M10 bottom, 3 x M6 bottom
Handles:	1 top, 1 side
Colour:	Black



HD 10-A MK4

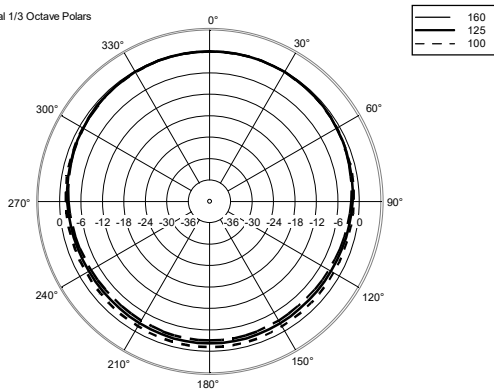


HD10-A

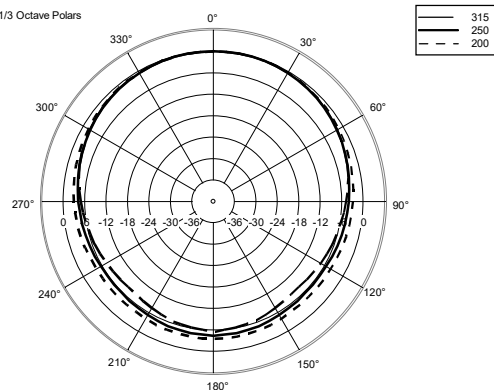


HD 10-A MK4

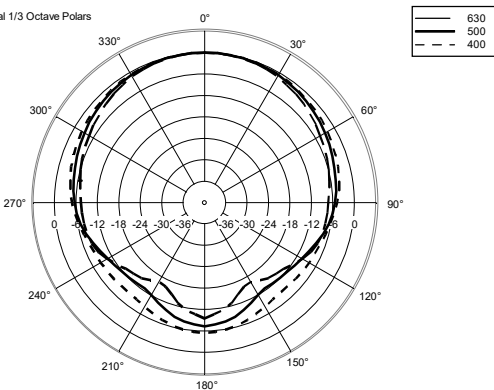
Horizontal 1/3 Octave Polars



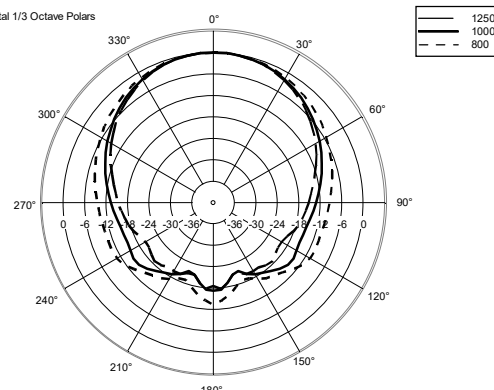
Horizontal 1/3 Octave Polars



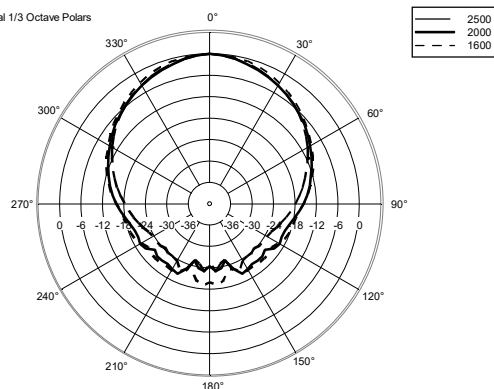
Horizontal 1/3 Octave Polars



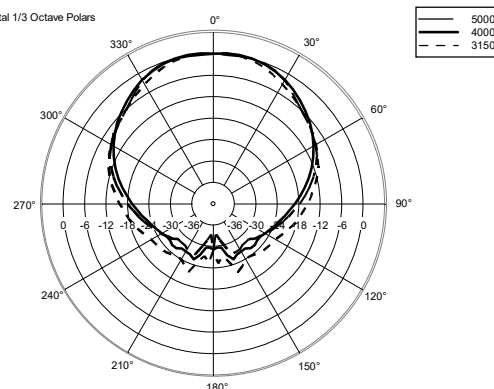
Horizontal 1/3 Octave Polars



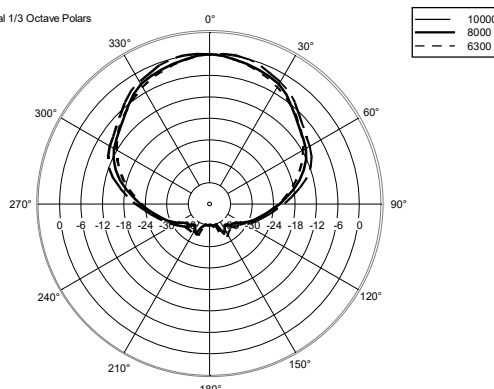
Horizontal 1/3 Octave Polars



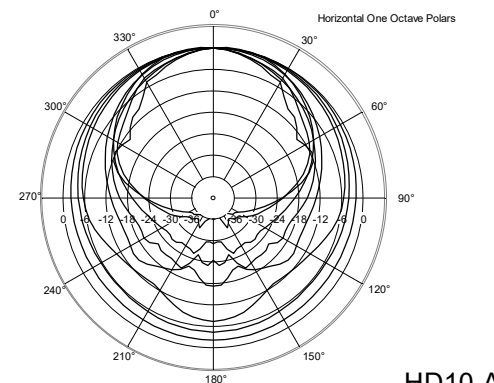
Horizontal 1/3 Octave Polars



Horizontal 1/3 Octave Polars



Horizontal One Octave Polars



HD10-A



HD 10-A MK4

PART NUMBER

13040024 (230V)

13040025 (115V)

DIMENSIONS (All data are in mm)

