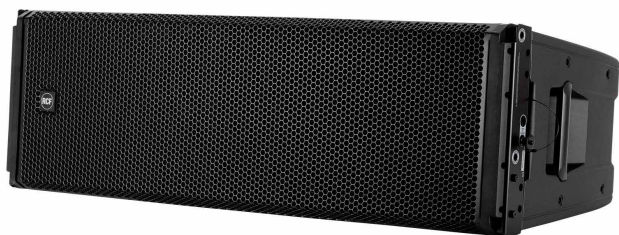


HDL 53-AS

ACTIVE HIGH-POWER BASS MODULE



DESCRIPTION

The HDL 53-AS is the perfect extension of the HDL 50-A system. This 3x12" subwoofer comes in the same housing as the HDL 50-A and allows perfect integration in the array shape. It can be flown above HDL 50-A in one array or as a separate sub-array behind the HDL 50-A array, with the same shape, to allow cardioid dispersion in a wide low and low-to-mid range and keep the stage clean from feedbacks.

MAIN APPLICATIONS

- Large Concerts
- Rental
- Live Sound
- Performance venues
- Live Clubs

MAIN FEATURES

- 3300 Watt Peak power - 1650 Watt RMS
- 139 dB max SPL
- 35 Hz - 100 Hz frequency response
- 3 x 12" Woofer
- DSP controlled Input section with selectable presets
- RDNet remote and control
- Maximum output, perfect audio fidelity
- Tour grade cabinet and mechanics

ACOUSTICAL SPECIFICATIONS

Frequency response:	35 Hz ÷ 120 Hz
Max SPL:	139 dB
Woofer:	3x12", 4.0" v.c.

INPUT/OUTPUT SECTION

Input/Output connector:	XLR, RDNet Ethercon
Input sensitivity:	+ 4 dBu

PROCESSOR SECTION

Crossover frequencies:	Selectable Hz
Protections:	thermal, rms
Limiter:	Fast limiter
Controls:	Gain, EQ, phase, xover, delay

AMPLIFIER

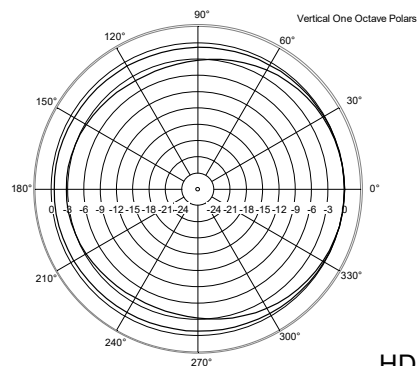
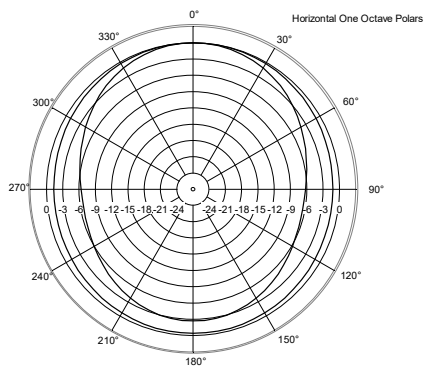
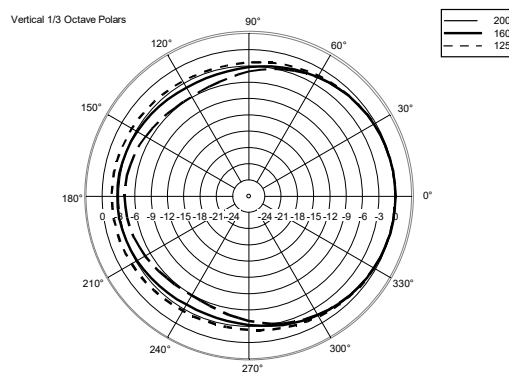
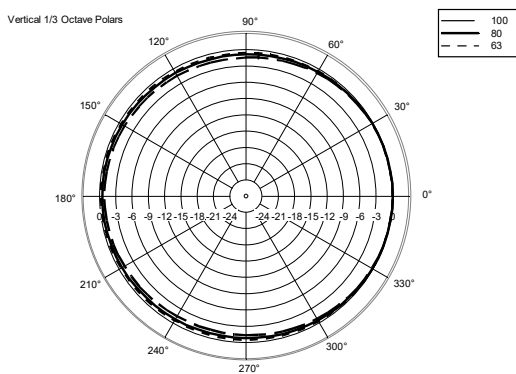
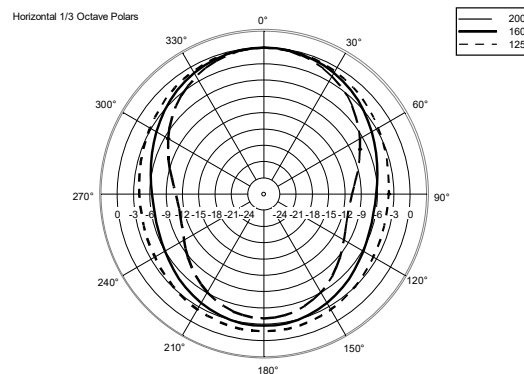
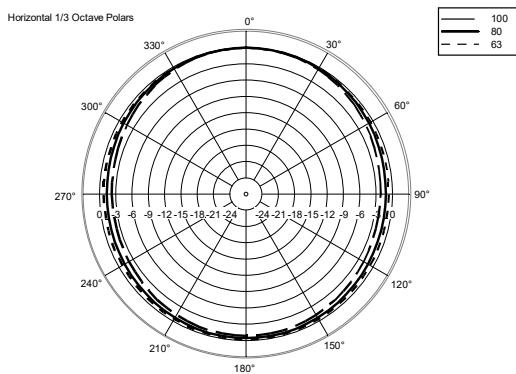
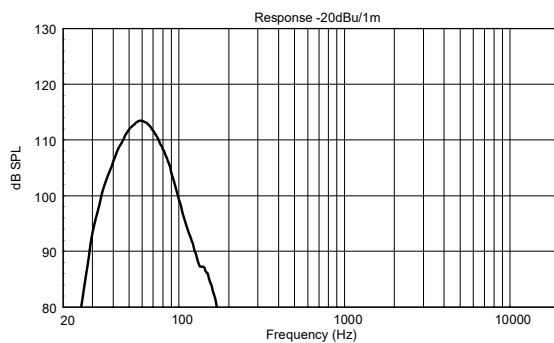
Total Power:	3300 W PEAK - 1650 W RMS
Low frequencies:	3300 W PEAK - 1650 W RMS
Cooling:	Convection
Connection:	Powercon in-out

PHYSICAL

Height:	366 mm (14.42")
Width:	1171 mm (46.1")
Depth:	502 mm (19.78")
Weight:	50 Kg (110.1 kg/lbs)
Cabinet:	Baltic Birch Plywood
Hardware:	Integrated mechanics
Handles:	2 side, 2 rear
Colour:	Black



HDL 53-AS



HDL 53-AS



HDL 53-AS

PART NUMBER

13000508

DIMENSIONS (All data are in mm)

