

HDL 30-A

ACTIVE TWO-WAY LINE ARRAY MODULE



DESCRIPTION

The RCF HDL30-A is a compact bi-amped 2-way active touring system for medium to large events, both indoors and outdoors. It features two 10-inch woofers and an impressive 4-inch titanium compression driver. The time coherent waveguide is the result of in-depth research and design. HDL 30-A is the first line array in a composite cabinet with zero-degree phase and ultra-linear amplitude response. The built-in 2200 watt class-D amplifier delivers excellent playback clarity and up to 137 decibels SPL max. The RCF HDL30 -A features state of the art RCF transducers with neodymium magnets. Considering its acoustical power, it has a remarkably low weight for easy handling and flying.

MAIN APPLICATIONS

- Live Sound
- Rental
- Portable PA, Club, Ballroom, Theatre
- House of Worship
- Theme Park
- Music playback and sound reinforcement in mid-size venues
- Corporate A/V professionals and sound system hire companies

MAIN FEATURES

- 2200W Two Way Amplifier
- 137 dB Max SPL
- 48 kHz, 32 bit DSP processing
- 1.4" Titanium Compression Driver, 4.0" voice coil
- 2 x 10" Neodymium Woofers, 2.5" voice coil
- Exclusive FIRPHASE technology on-board
- RDNet Control and Management
- 680 Hz Crossover Point

ACOUSTICAL SPECIFICATIONS

Frequency response -3dB:	50 Hz ÷ 20000 Hz
Max SPL:	137 dB
Horizontal coverage angle:	100°
Vertical coverage angle:	15°
Compression driver:	1.4" neo, 4.0" v.c.
Woofers:	2x10" neo, 2.5 v.c.

INPUT/OUTPUT SECTION

Input signal:	bal/unbal
Input/Output connector:	XLR, RDNet
Input sensitivity:	+ 4 dBu

PROCESSOR SECTION

Crossover frequencies:	680 Hz
Protections:	thermal, rms
Limiter:	soft limiter
Controls:	Preset, RDNet bypass

AMPLIFIER

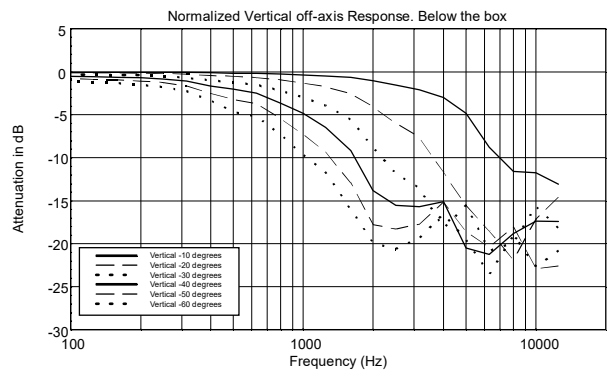
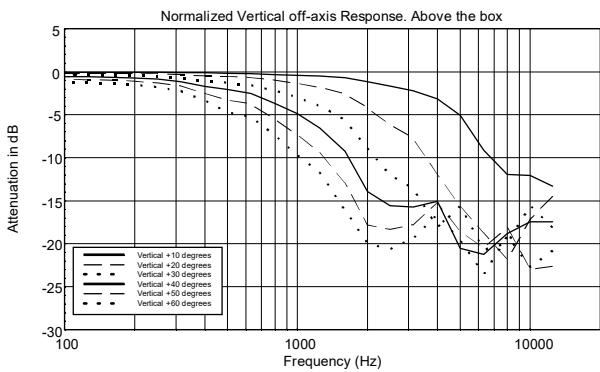
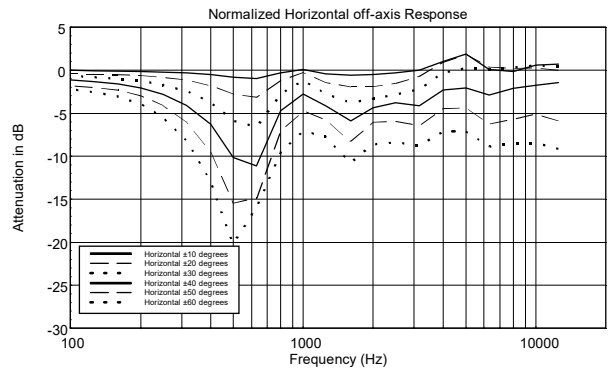
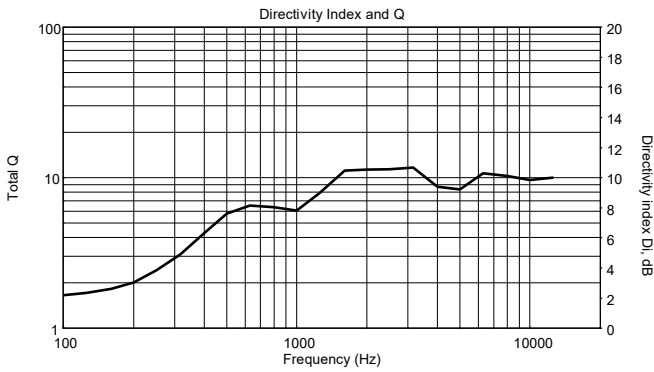
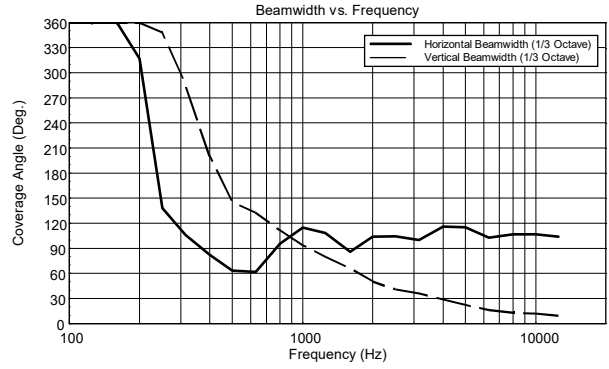
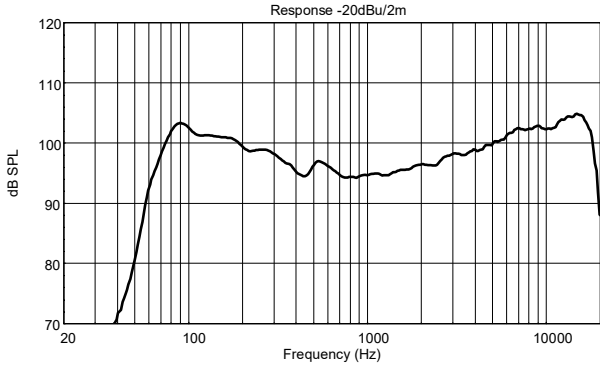
Total Power:	2200 W PEAK - 1100 W RMS
High frequencies:	600 W PEAK - 300 W RMS
Low frequencies:	1600 W PEAK - 800 W RMS
Cooling:	forced
Connection:	Powercon in-out

PHYSICAL

Height:	293 mm (11.54")
Width:	705 mm (27.76")
Depth:	502 mm (19.76")
Weight:	25 Kg (55.11 lbs)
Cabinet:	Composite PP, wooden reinforced
Hardware:	Integrated mechanics
Handles:	2 side
Colour:	Black

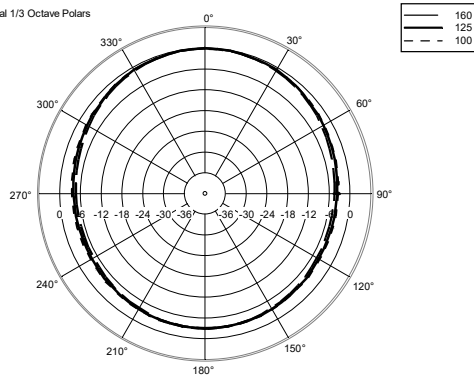


HDL 30-A

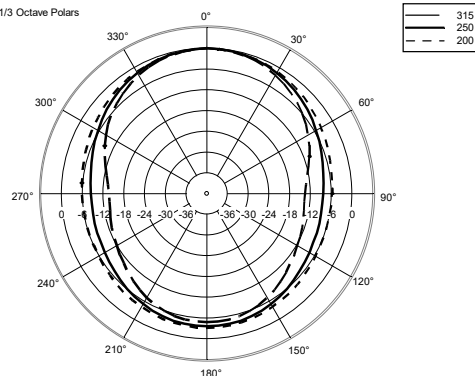


HDL 30-A

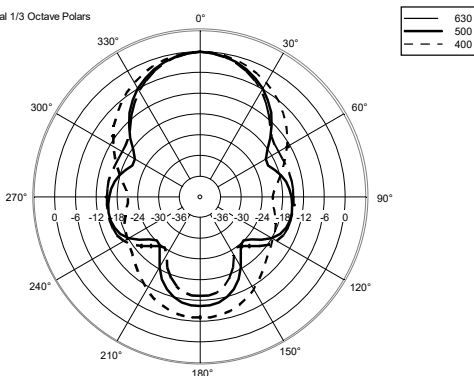
Horizontal 1/3 Octave Polars



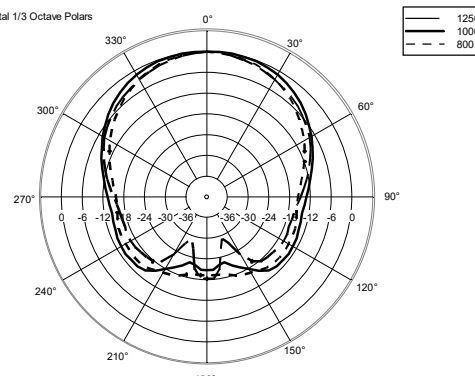
Horizontal 1/3 Octave Polars



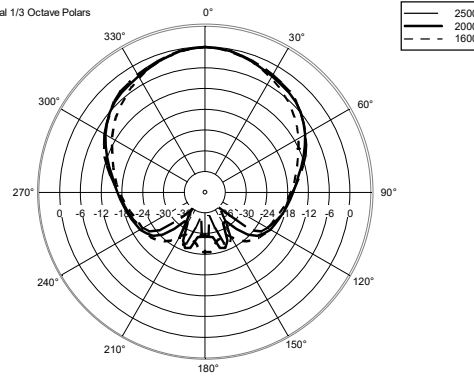
Horizontal 1/3 Octave Polars



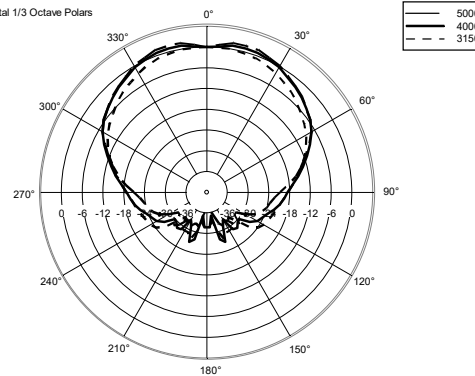
Horizontal 1/3 Octave Polars



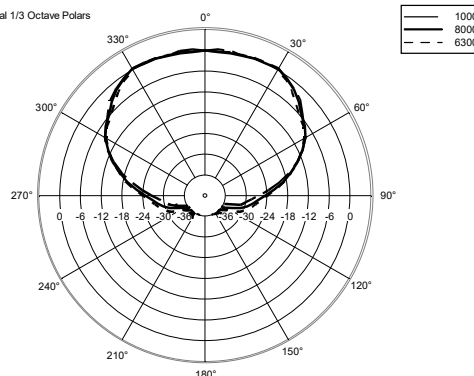
Horizontal 1/3 Octave Polars



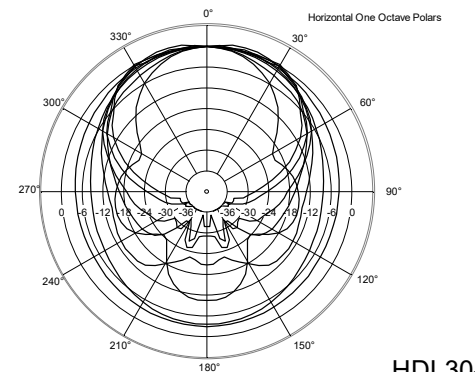
Horizontal 1/3 Octave Polars



Horizontal 1/3 Octave Polars



Horizontal One Octave Polars



HDL30-A



HDL 30-A

PART NUMBER

13000511

DIMENSIONS (All data are in mm)

