

NX 32-A

ACTIVE TWO WAY MULTIPURPOSE SPEAKER



DESCRIPTION

The NX 32-A is an active speaker specifically designed to be the everyday tool for rental companies and professional musicians. It's one of the most flexible speakers for deploying high-quality sound as a stand-alone FOH system or as a satellite (with subwoofer) but either as a stage monitor or a front, down or side fill speaker.

ACOUSTICAL SPECIFICATIONS

Frequency response:	50 Hz ÷ 20000 Hz
Max SPL:	131 dB
Horizontal coverage angle:	90°
Vertical coverage angle:	40°
Compression driver:	1.4" neo, 3.0" v.c.
Woofer:	12", 2.5" v.c.

INPUT/OUTPUT SECTION

Input signal:	bal/unbal
Input/Output connector:	XLR, Jack
Input sensitivity:	- 2 dBu / + 4 dBu

PROCESSOR SECTION

Crossover frequencies:	700 Hz
Protections:	thermal, rms
Limiter:	soft limiter
Controls:	Boost, Volume, Mic/Line

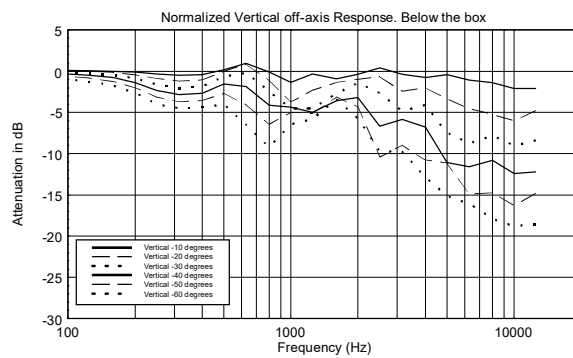
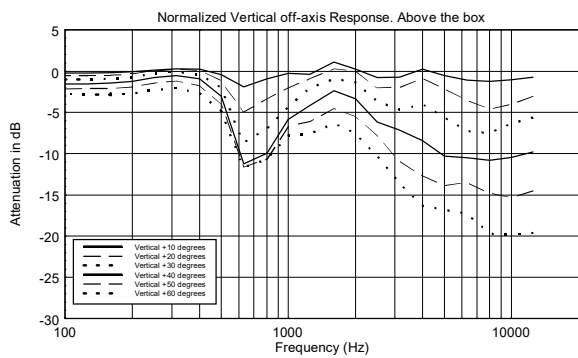
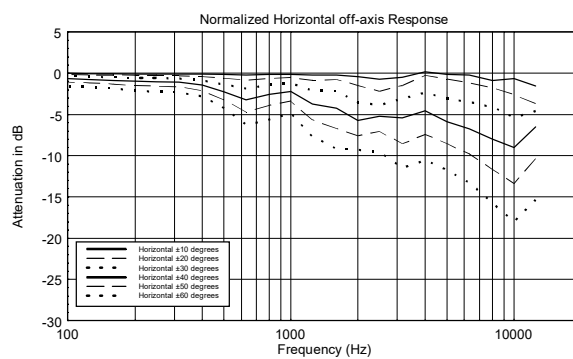
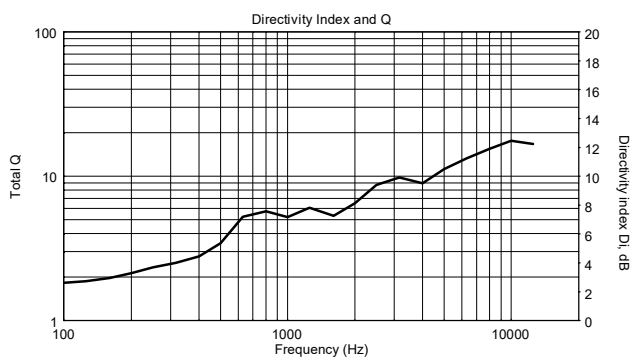
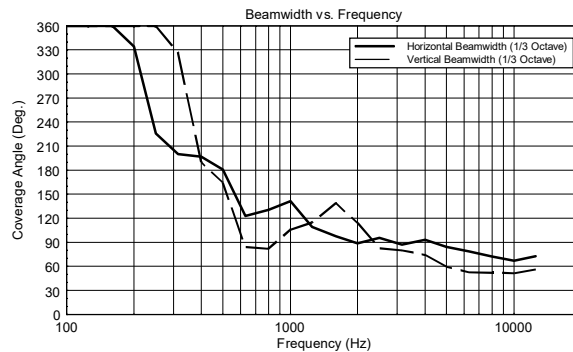
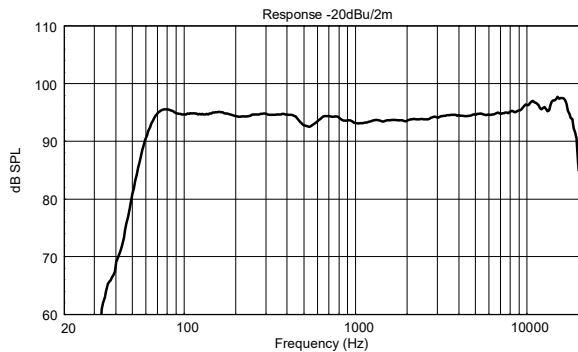
AMPLIFIER

Total Power:	1400 W PEAK - 700 W RMS
High frequencies:	400 W PEAK - 200 W RMS
Low frequencies:	1000 W PEAK - 500 W RMS
Cooling:	convection
Connection:	Powercon IN/OUT

PHYSICAL

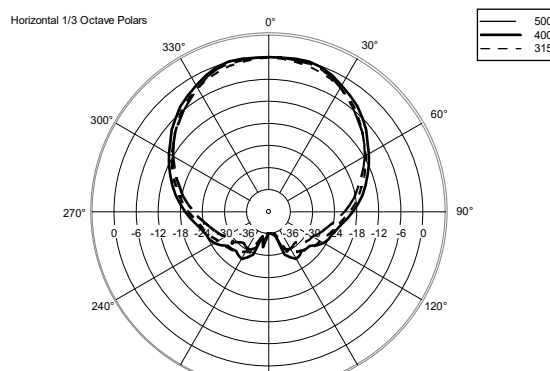
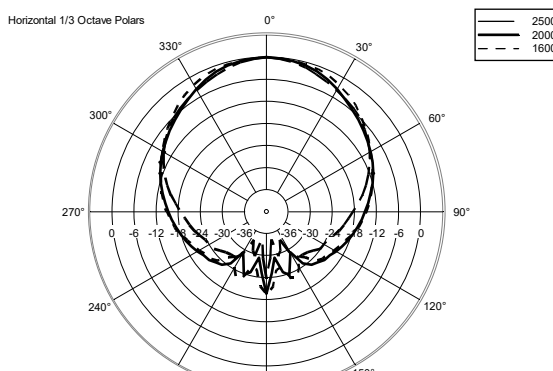
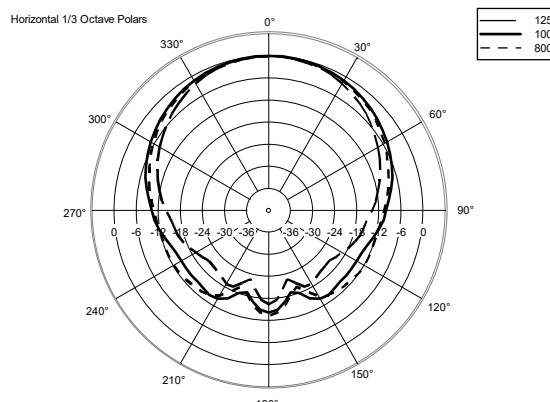
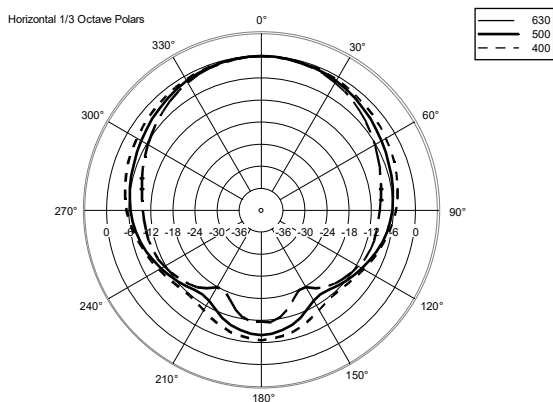
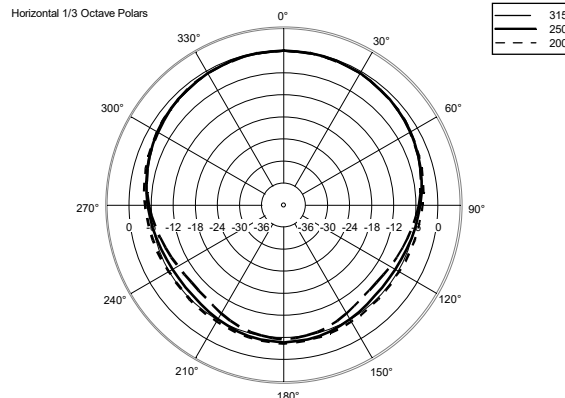
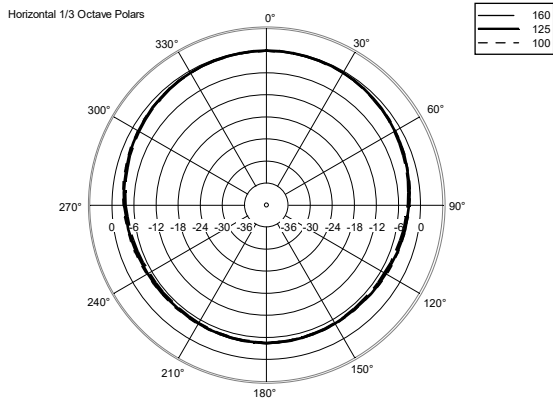
Height:	600 mm (23.62")
Width:	365 mm (14.37")
Depth:	378 mm (14.88")
Weight:	20,6 Kg (45.42 kg/lbs)
Cabinet:	Baltic Birch Plywood
Hardware:	pole mount
Handles:	2 side
Colour:	Black

NX 32-A



NX 32-A

HORIZONTAL 1/3 POLAR PLOT



NX 32-A

PART NUMBER

13000550 (220-240V)

13000551 (115V)

DIMENSIONS (All data are in mm)

