

# 4PRO SERIES

## ACTIVE SPEAKER

# 4PRO 8001-AS



RCF 4PRO 8001-AS active subwoofer integrates an high current 800 Watt amplifier, a complete electronic processor section and premium RCF low distortion, high power woofer. The result is a compact, high power subwoofer, unique in his class for extended output and low distortion.

This new high power 18" inch woofer is the result of the latest refinement in years of RCF experience in compact active subwoofer design and manufacture, providing a fast and controlled reproduction of the bass frequency range. Featuring a 4" inside/outside voice coil to minimize power compression and extend the life of this product.

A 2 step class H design is used to power the system. This high current design controls the amount of deliverable power in conjunction with a massive transformer and a multiple of high storage capacitors it is able to achieve perfect control of the woofer mass at very high output levels.

The input section offers mono/stereo combo XLR/Jack input connectors and XLR high pass output connectors. A recessed master volume, the phase switch and the selectable crossover frequency switch guarantee the best versatility. The processor section includes active system equalization, limiter and protection functions. The system is visually monitored from 4 status LEDs.

The Baltic birch plywood enclosure is painted with black, heavy duty, textured epoxy. The front is protected from a strong, powder coated, metal grille. The cabinet features two M10 threaded points for optional speaker kart, a 35 mm pole mount socket, two comfortable recessed side handles.

### Applications

- Main PA Sub Bass
- Band & Vocal PA Sub Bass
- Professional DJ Sub Bass
- Night Club Sub Bass
- Corporate Events

### Features

- High current 800 watt class H amplifier
- 133 dB max SPL
- 18" high power woofer, 100 mm inside/outside copper coil
- Response down to 40 Hz
- Selectable crossover and high pass outputs, phase switch
- Electronic equalization, limiter and protection
- Mono/Stereo combo XLR/Jack input, Mono/Stereo XLR signal output
- Baltic birch compact enclosure and 2 side handles for easy transportation
- Built in pole mount, two M10 points for optional speaker kart

### ACOUSTICAL SPECIFICATIONS

Frequency response:	40 - xover point
Max SPL:	134 dB
Woofer:	18"

### INPUT SECTION

Input signal (Impedance):	bal/unbal
Input connector:	jack/xlr
Output signal connector:	xlr
Input sensitivity:	0 dBu

### PROCESSOR SECTION

Crossover frequencies:	40 Hz - xover point
Selectable high pass output:	80/100/120 Hz
Protections:	uC / Protection
Limiter:	fast limiter
Master volume:	yes
Phase switch:	yes

### AMPLIFIER

Nominal power:	800 Watt
Low frequencies:	H / 600 Watt
Cooling:	Forced

### PHYSICAL

Cabinet:	Baltic Birch
Dimensions (HxWxD):	27.55" x 20.47" x 27.55" (700x520x700 mm)
Weight:	123.45 lbs. (56 kg)
Hardware:	2 M10 for kart
Handles:	2 side
Pole Mount / Cap:	yes
Colour:	Black



CSI PRODUCT SPECIFICATIONS FOR DESIGNERS, SPECIFIERS, AND CONSULTANTS (ALSO KNOWN AS “A&E SPECIFICATIONS”) The following are “Part 2 Products” CSI-type specifications. It is assumed that “Part 1 General – Administrative and Procedures” and “Part 3 Execution – Installation and Maintenance” are part of an overall audio system or project specification.

PART 2 PRODUCTS

2.01 Approved Manufacturer/Product

A. RCF, Via Raffaello 13, 42010 Mancasale, Reggio Emilia, Italy.

B. Model number: 4PRO 8001-AS

2.02 Design

Configuration	Bass reflex subwoofer
LF Sub-section	18" woofer, 100 mm copper coil

2.03 Acoustical Proprieties

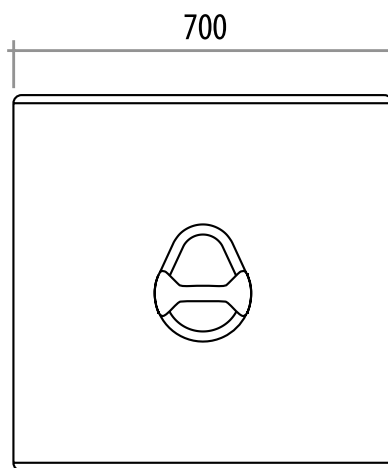
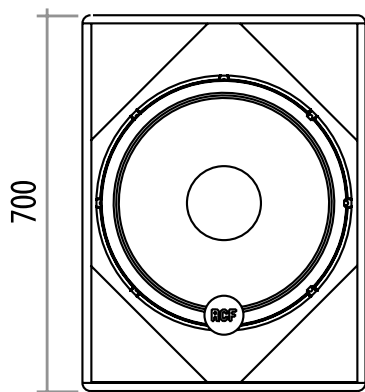
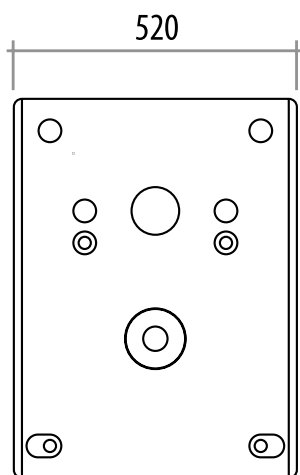
Frequency response:	40 Hz xover point
Max SPL:	134 dB

2.04 Physical Properties

Cabinet:	Baltic birch
Rigging inserts:	2 M10 for kart
Color:	Black
Grille:	Custom perforated steel grille with open-cell poly fiber backing
Input Connectors:	jack/xlr
Dimensions (H x W x D):	27.55" x 20.47" x 27.55" (700x520x700 mm)
Weight:	123.45 lbs. (56 kg)

2.05 Accessories

AC KP-8001:	Kit pair of wood panels for trolley 4PRO 7001 BA, 8001-S (AS), 8002-AS
AC WK FX:	Fixed wheels accessory kit
AC WK SV:	Swivel wheels accessory kit



RCF SpA Italy:  
tel. +39 0522 274 411  
fax +39 0522 232 428  
www.rcfaudio.com  
e-mail: info@rcf.it

RCF UK Sales Office:  
tel. +44 7005 402181  
e-mail: info@rcfaudio.co.uk

RCF France Sales Office:  
tel. +33 6 07501800  
e-mail: rcfrance@aol.com

RCF Germany Sales Office:  
tel. +49 2203 925370  
e-mail: germany@rcf.it

RCF USA Sales Office:  
tel. +1 (603) 926 4604  
e-mail: rcf-usa@comcast.net