

WOOFER

LF15G401

Professional Low Frequency Transducer

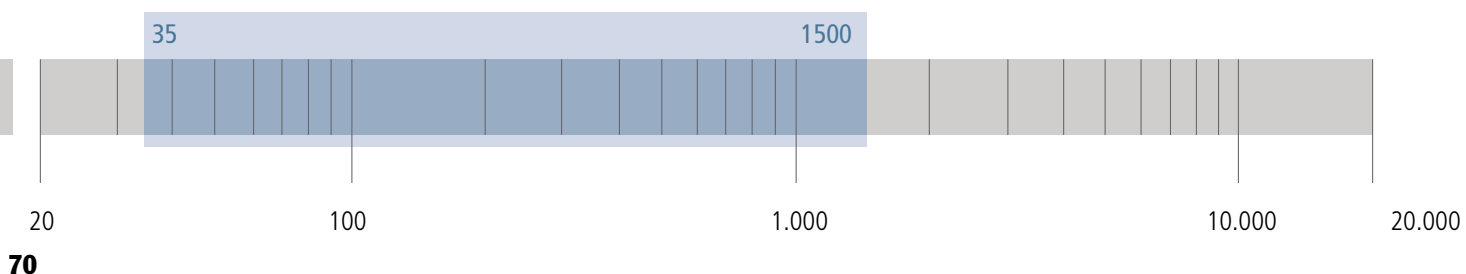
The LF15G401 is a 15-inch woofer with linear frequency response characteristics and very high power handling. The LF15G401 uses a fibre loaded cone assembly along with a high excursion triple roll, constant geometry surround. This combination provides remarkable strength and a peak to peak maximum excursion of 52 mm.

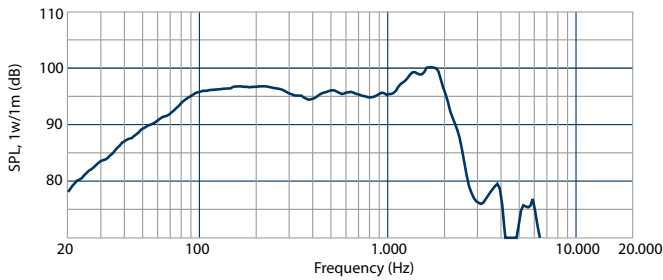
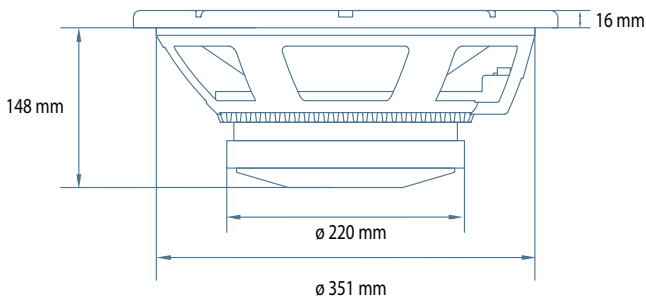
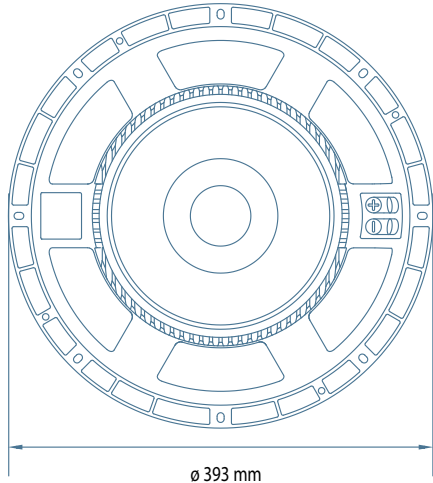
PART NUMBER **11100014**

- 4-inch, fibreglass inside-outside copper voice coil
- 1600 Watt continuous program power handling
- 97 dB Sensitivity
- 30 Hz - 1.5 kHz Frequency range
- Dual spider design with silicon based dampening control
- Triple-roll surround and corrugated straight cone geometry

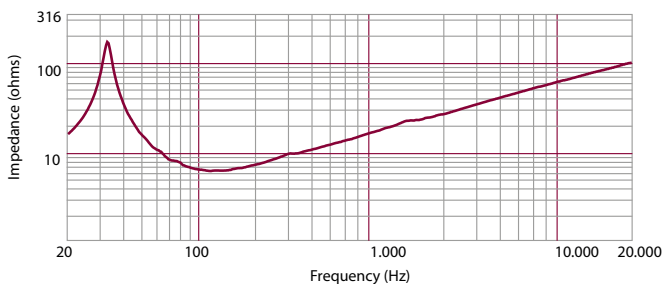
APPLICATIONS

The LF15G401 is ideal for use in applications where incredible power handling, long excursion and perfect control is required. Ideal for high quality professional bass reflex and bass-horn systems. The robust mechanical design and optimised weight of the device make it desirable for use in fixed installation or portable professional loudspeaker systems. Very good for 3 way, extended low frequency configurations.





Frequency response curve of the loudspeaker taken in a hemispherical, free field environment and mounted in a closed box with an internal volume of 600 litres (21,2 cu.ft) enclosing the rear of the driver



Impedance magnitude curve measured in free air

GENERAL SPECIFICATIONS

Nominal Diameter	380/15	mm/inch
Rated Impedance	8	ohm
Program Power ¹	1600	Watts
Power handling capacity ²	800	Watts
Sensitivity ³	97	dB
Frequency Range	35 - 1500	Hz
Effective Piston Diameter	340/13.4	mm/inch
Max Excursion Before Damage (peak to peak)	52/2.1	mm/inch
Minimum Impedance	6.1	ohm
Voice Coil Diameter	100/4	mm/inch
Voice Coil Material	Copper	
Voice Coil Winding Depth	23/0.9	mm/inch
Number of layers	2	
Kind of layer	inside/outside	
Top Plate Thickness	12/0.5	mm/inch
Cone Material	No pressed pulp	
Cone Design	Straight	
Surround Material	Polycotton	
Surround Design	Triple roll	

THIELE - SMALL PARAMETERS ⁴

Resonance frequency	Fs	36	Hz
DC resistance	Re	4.8	ohm
Mechanical factor	Qms	6.2	
Electrical factor	Qes	0.27	
Total factor	Qts	0.26	
BL Factor	BL	24.6	T · m
Effective Moving Mass	Mms	150	gr
Equivalent Cas air load	Vas	150	liters
Effective piston area	Sd	0.091	m ²
Max. linear excursion (mathematical) ⁵	Xmax	8.5	mm
Voice - coil inductance @ 1KHz	Le	1.8	mH
Half-space efficiency	Eff	2.50	%

MOUNTING INFORMATION

Overall Diameter	393/15.5	mm/inch
Bolt Circle Diameter	371-376/14.6-14.8	mm/inch
Bolt Hole Diameter	6.5/0.3	mm/inch
Front Mount Baffle Cut-out	352/13.9	mm/inch
Rear Mount Baffle Cut-out	360/14.2	mm/inch
Depth	148/5.82	mm/inch
Volume occupied by the driver ⁶	4.3/0.15	liters/ft3

SHIPPING INFORMATION

Net Weight	12.2/26.8	Kg/Lbs
Shipping Weight	12.8/28.4	Kg/Lbs

NOTES TO SPECIFICATIONS

1 Program Power is defined as 3 dB greater than AES power. - 2 AES standard. - 3 Sensitivity measurement is based on a 500-2,5 kHz pink noise signal with input power of 2.83V @ 8 Ohms. - 4 Thiele-Small parameters are measured after a 2 hour warm up period running the loudspeaker at full power handling capacity. - 5 The maximum linear excursion is calculated as: $(Hvc - Hg)/2 + Hg/4$ where Hvc is the voice coil depth and Hg the gap depth. - 6 Calculated for front mounting on 18 mm thick board.
The data are not binding; RCF reserves the right to modify the data at any time and without previous notice.