

# HD 12-A MK4

## ACTIVE TWO-WAY SPEAKER



### DESCRIPTION

RCF cares about your sound. The new D-Line MK4 speakers boosts the performance with a series of brand new transducers, improves the sound quality with the revolutionary FiRPHASE processing and renew the grille design to exalt the professional look. The vocals are natural, the sound is clear at long distances, the SPL power is stable at very high levels. The concept of the HD-Line derives from the touring industry, bringing in an elegant and compact cabinet all the experience of RCF professional sound with the maximum reliability and strength for the intensive use on the road. Connect your microphone, your device or your mixer to the speaker and turn up the volume: real plug&play. Perfect as a main front of house in small PA systems, high powered floor monitoring and unobtrusive fixed installation.

### MAIN APPLICATIONS

- Live Sound
- Rental
- Portable PA
- Stage Monitoring
- Clubs

### MAIN FEATURES

- 1400 watt 2-way peak power
- 130 dB max SPL
- Digital bi-amplification, SMPS
- DSP sound processing
- 90° x 60°, wide dispersion constant directivity horn
- 12" woofer, high power, 2.5" voice coil
- 1.0" HF driver, titanium dome, neodymium 1.5" voice coil
- FiRPHASE processing

### ACOUSTICAL SPECIFICATIONS

Frequency response:	45 Hz ÷ 20000 Hz
Max SPL:	130 dB
Horizontal coverage angle:	90°
Vertical coverage angle:	60°
Compression driver:	1.0", 1.5" v.c.
Woofer:	12", 2.5" v.c.

### INPUT/OUTPUT SECTION

Input signal:	bal/unbal
Input/Output connector:	XLR, Jack
Input sensitivity:	- 2 dBu / + 4 dBu

### PROCESSOR SECTION

Crossover frequencies:	1800 Hz
Protections:	thermal, rms
Limiter:	soft limiter
Controls:	Boost, Volume, Mic/Line

### AMPLIFIER

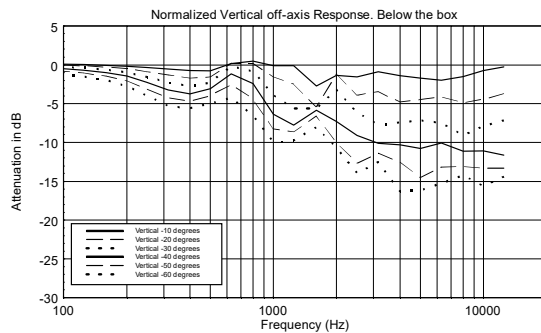
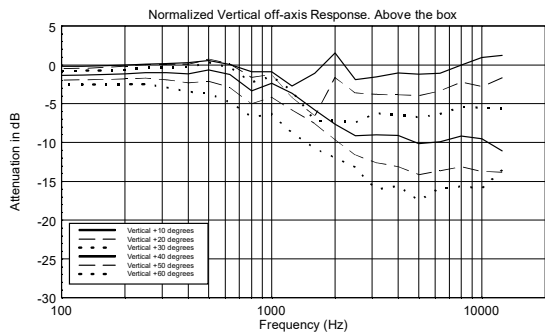
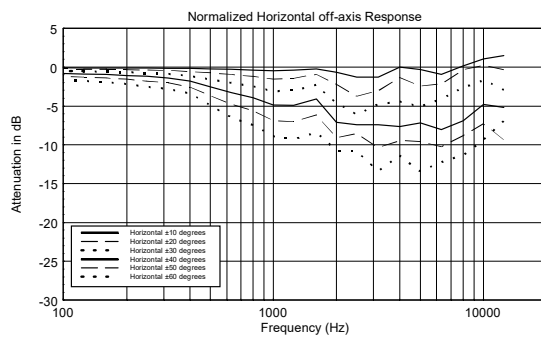
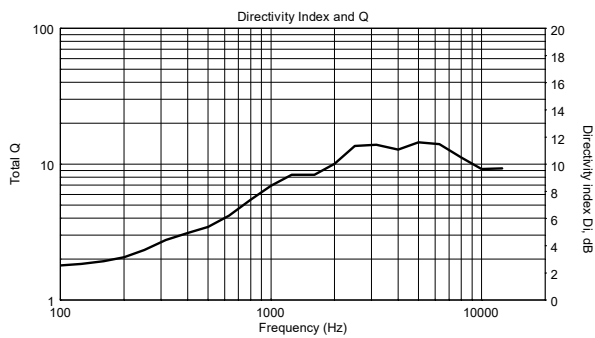
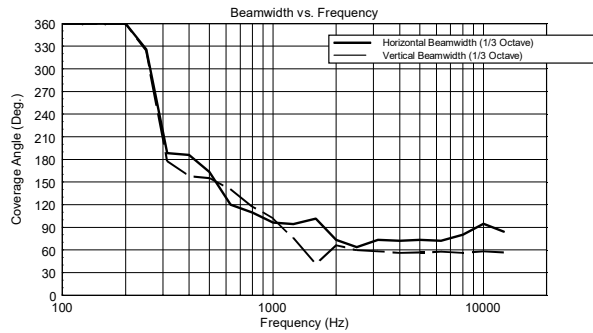
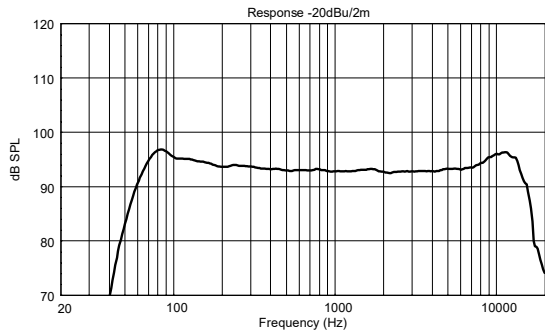
Total Power:	1400 W PEAK - 700 W RMS
High frequencies:	400 W PEAK - 200 W RMS
Low frequencies:	1000 W PEAK - 500 W RMS
Cooling:	convection
Connection:	VDE

### PHYSICAL

Height:	647 mm (25.47")
Width:	380 mm (14.96")
Depth:	380 mm (14.96")
Weight:	18.3 Kg (40.34 kg/lbs)
Cabinet:	PP Composite
Hardware:	1 x M10 top, 1 x M10 bottom, 3 x M6 bottom
Handles:	1 top, 2 side
Colour:	Black



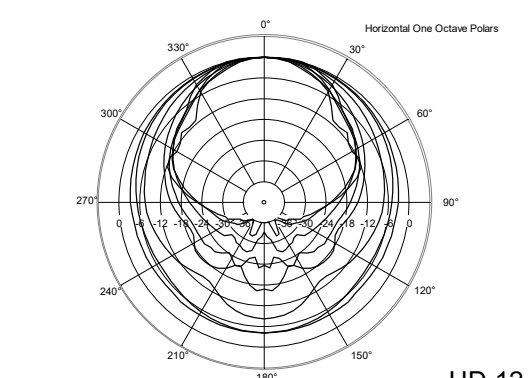
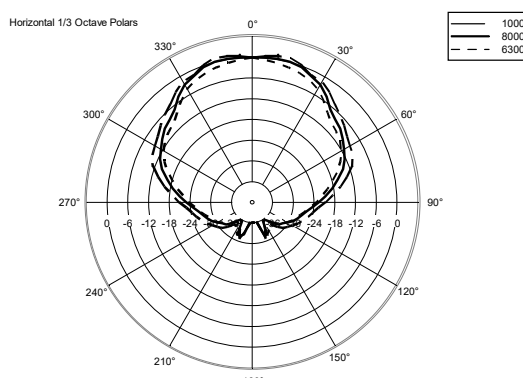
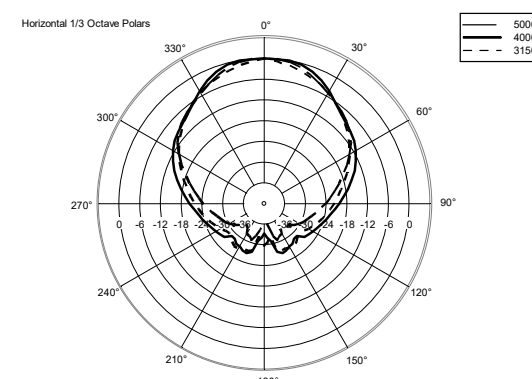
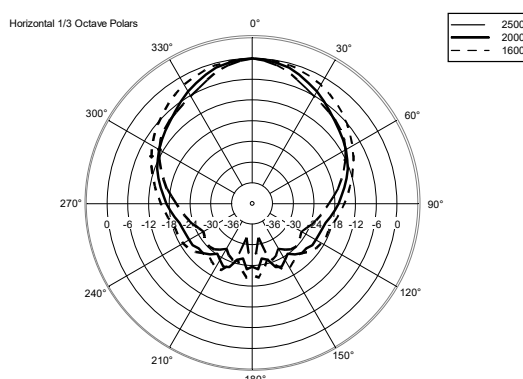
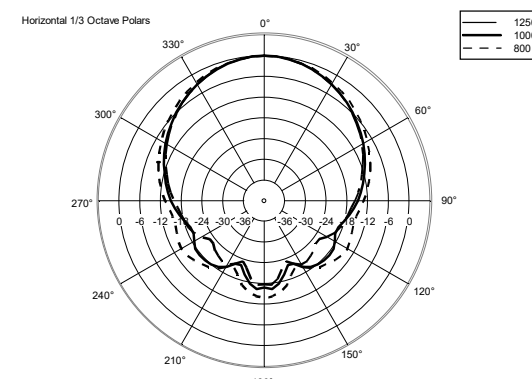
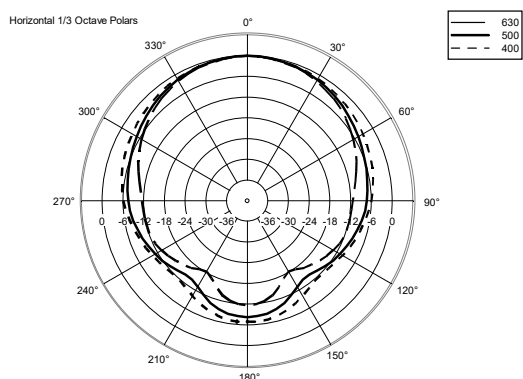
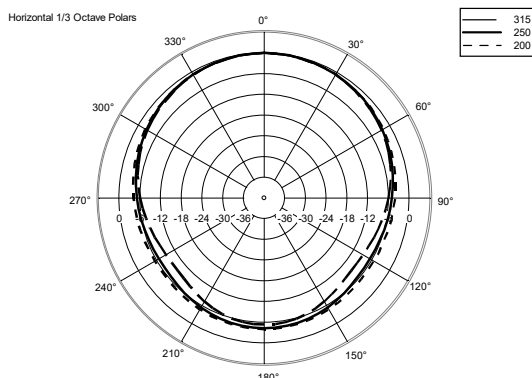
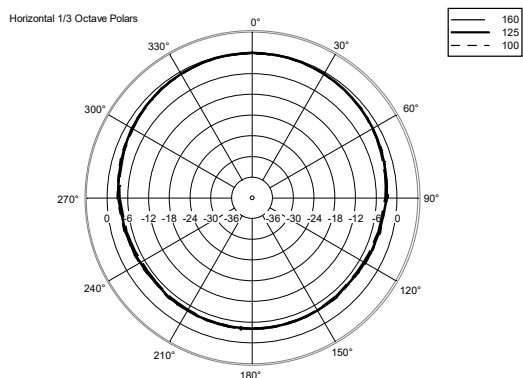
# HD 12-A MK4



HD 12-A MK4



# HD 12-A MK4



HD 12-A MK4



# HD 12-A MK4

## PART NUMBER

13040026 (230V)  
13040027 (115V)

## DIMENSIONS (All data are in mm)

