

# HDL 12-AS

## ACTIVE FLYABLE HIGH POWER SUBWOOFER



### DESCRIPTION

The HDL 12-AS is the companion subwoofer for HDL 6-A. Housing a 12" woofer, the HDL 12-AS, is a very compact active sub enclosure and features a 1400 W powerful digital amplifier. It is the ideal complement to create flown HDL 6-A clusters with outstanding performance. It features a built-in digital stereo crossover (DSP) with adjustable crossover frequency to connect the HDL 6-A line array module or a satellite. The integrated mechanics are both fast and reliable. The heavy-duty front grille is power coated. A special transparent-to-sound foam backing inside helps the further protection of the transducers from dust.

### MAIN APPLICATIONS

- Live sound
- Rental
- Portable PA, clubs, ballrooms, live theatre
- House of worship
- Theme parks
- Music playback
- Sound reinforcement in small and mid-size venues
- A/V presentation

### MAIN FEATURES

- 1400 Watt Peak power - 700 Watt RMS
- 131 dB max SPL
- 40 Hz - 120 Hz frequency response
- 1 x 12" Woofer
- Stereo crossover
- Switchable crossover frequencies
- Designed to compliment the HDL 6-A speaker system
- Polarity reverse switch

### ACOUSTICAL SPECIFICATIONS

|                     |                |
|---------------------|----------------|
| Frequency response: | 40 Hz ÷ 120 Hz |
| Max SPL:            | 131 dB         |
| Woofer:             | 12", 3.0" v.c. |

### INPUT/OUTPUT SECTION

|                         |                 |
|-------------------------|-----------------|
| Input/Output connector: | XLR             |
| Input sensitivity:      | -2 dBu / +4 dBu |

### PROCESSOR SECTION

|                        |                          |
|------------------------|--------------------------|
| Crossover frequencies: | -80 Hz                   |
| Protections:           | thermal, rms             |
| Limiter:               | Soft limiter             |
| Controls:              | Volume, EQ, Phase, Xover |

### AMPLIFIER

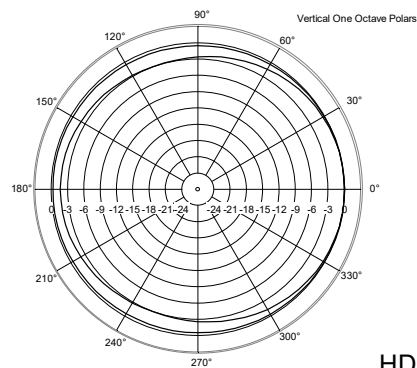
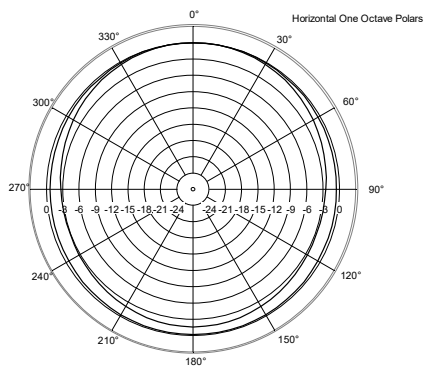
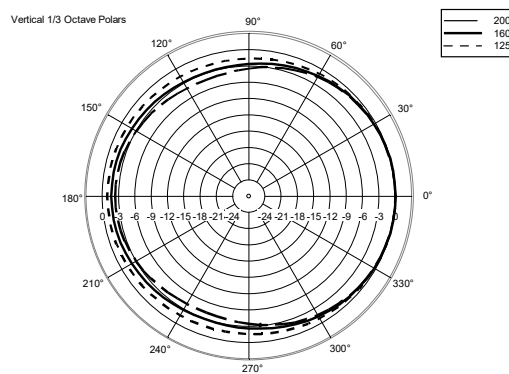
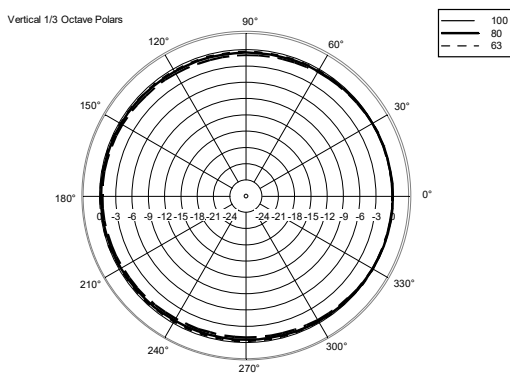
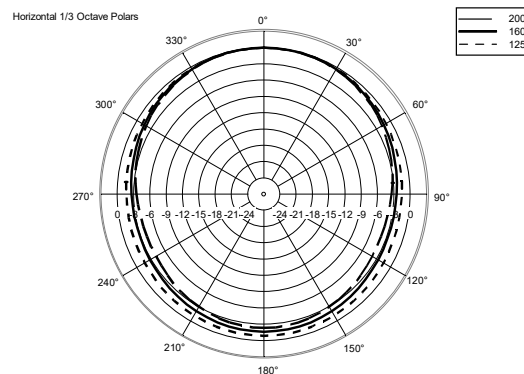
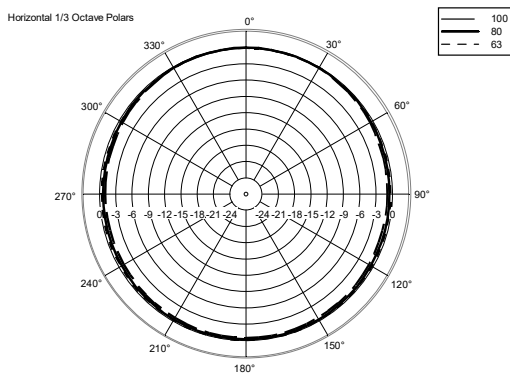
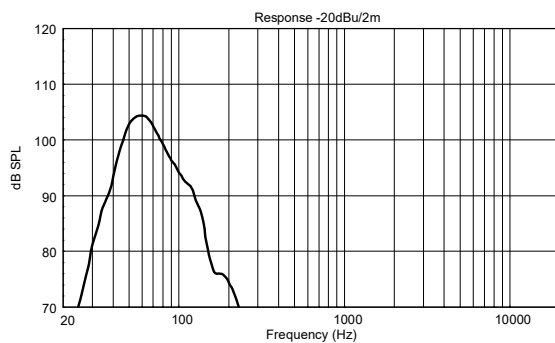
|                  |                        |
|------------------|------------------------|
| Total Power:     | 1400 W Peak, 700 W RMS |
| Low frequencies: | 1400 W Peak, 700 W RMS |
| Cooling:         | Convection             |
| Connection:      | Powercon in-out        |

### PHYSICAL

|           |                      |
|-----------|----------------------|
| Height:   | 379 mm (14.92")      |
| Width:    | 470 mm (18.5")       |
| Depth:    | 508 mm (20")         |
| Weight:   | 25 Kg (55.12 kg/lbs) |
| Cabinet:  | Baltic Birch Plywood |
| Hardware: | Array fittings, pole |
| Handles:  | 2 side               |
| Colour:   | Black                |



# HDL 12-AS



HDL 12-AS



# HDL 12-AS

## PART NUMBERS

13000505 (220-240V) BLACK  
13000510 (115V) BLACK  
13000532 (220-240V) WHITE  
13000533 (115V) WHITE

## DIMENSIONS (All data are in mm)

