

# TTL31 WP TTL33 WP

DX4008 EQUALIZATIONS



the rules of sound

**RCF**

## CONTENTS

|     |  |    |
|-----|--|----|
| 1   | INTRODUCTION                                 | 3  |
| 2   | ADDITIONAL INFORMATIONS                      | 3  |
| 3   | PROCESSOR WIRING                             | 4  |
| 4   | RECCOMENDED AMPLIFICATION                    | 5  |
| 5   | ARRAY EQUALIZATION                           | 6  |
| 5.1 | EQUALIZATION LIST                            | 7  |
| 5.2 | EQUALIZATION PARAMETERS TTL31 WP             | 8  |
| 5.3 | EQUALIZATION PARAMETERS TT 33                | 10 |
| 5.4 | EQUALIZATION PARAMETERS TT31 WP + TTL12-S WP | 14 |

## 1 Introduction

This application guide shows cluster design preset for TTL Wp series. Here are shown typical layouts for 2 to 16 modules cluster. We hope that by this application guide may assist you in a proper system design.

## 2 Additional Informations

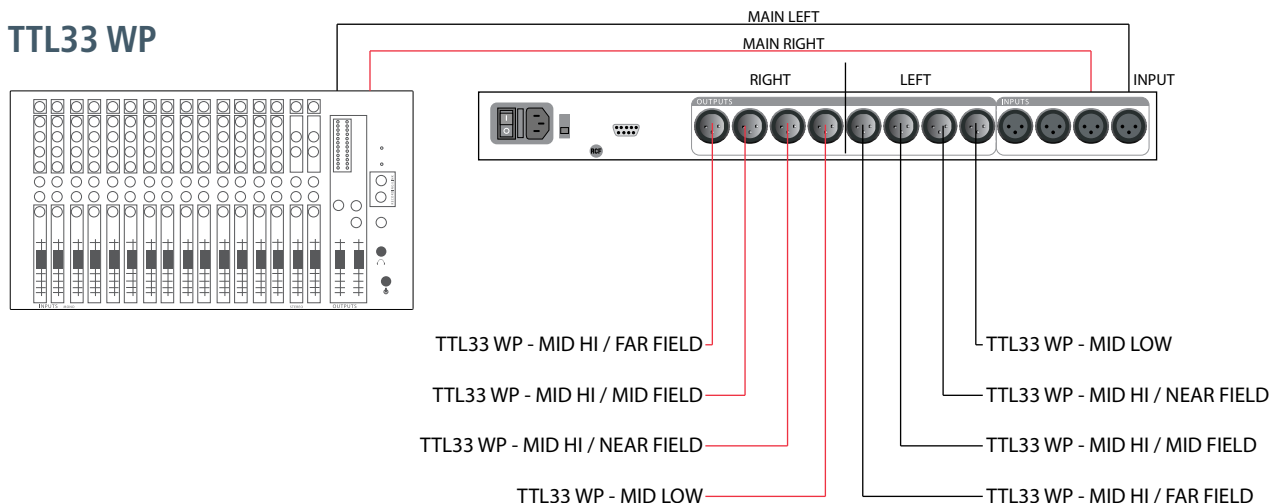
For more information on installing and operating your P Series loudspeakers, please refer to RCF's web site: [www.rcfaudio.com](http://www.rcfaudio.com)

For applications support, service or warranty information, refer to RCF's web site or contact RCF Service department at [rcfservice@rcf.it](mailto:rcfservice@rcf.it).

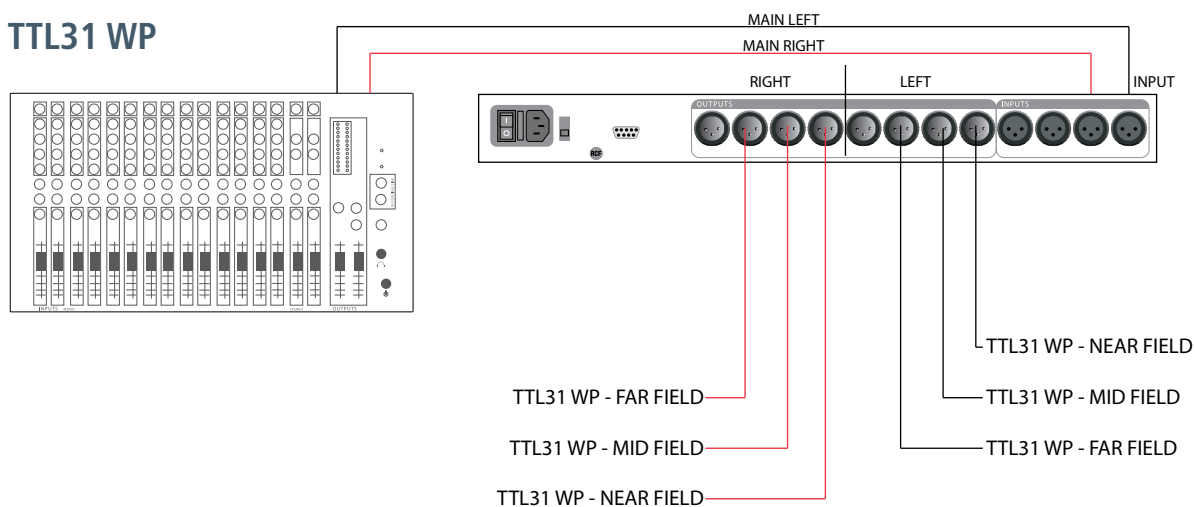
### 3 Processor wiring

TTL WP Line Array System, amplifier wiring schematics.

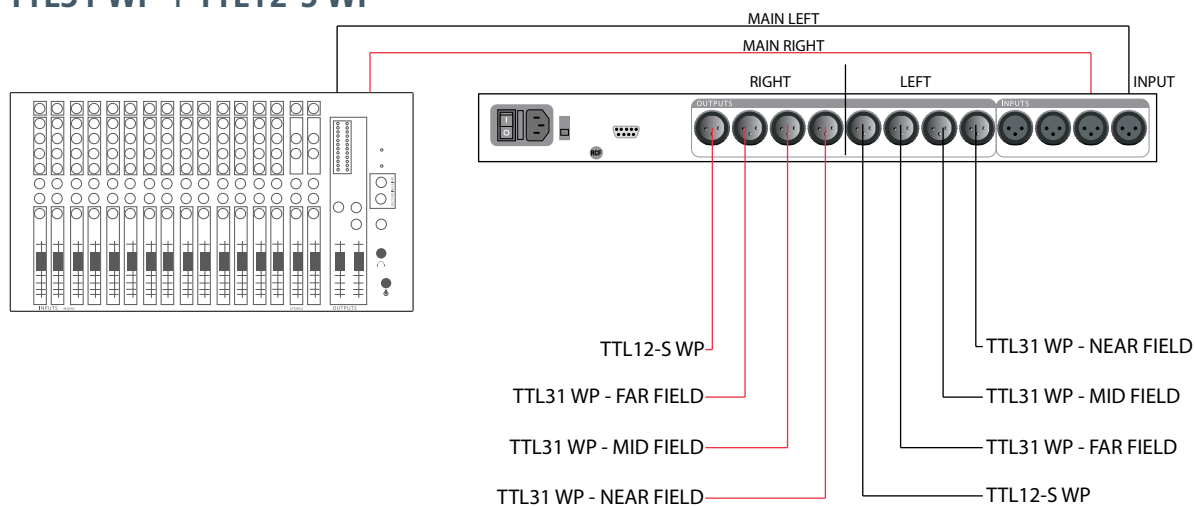
#### TTL33 WP



#### TTL31 WP

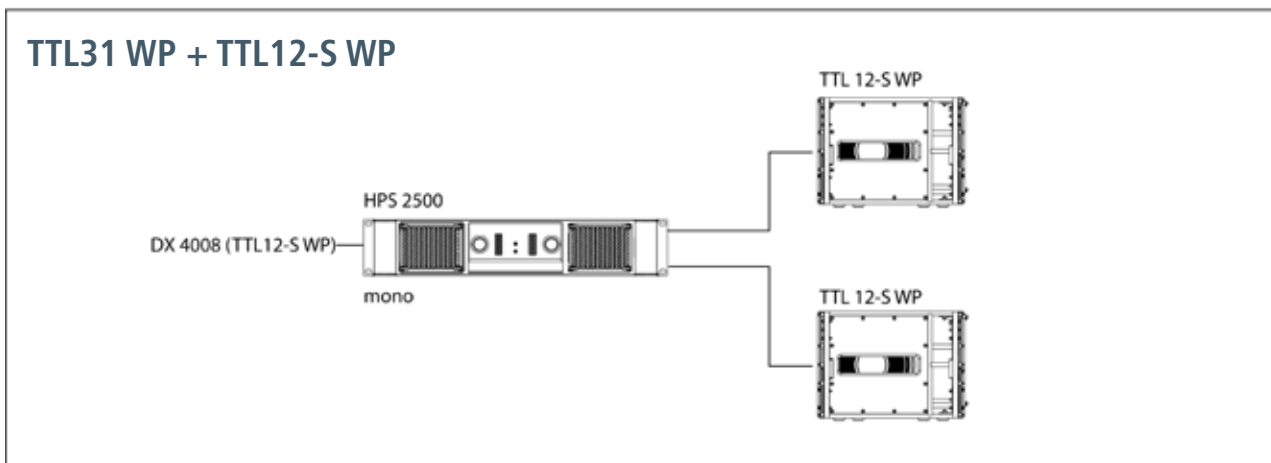
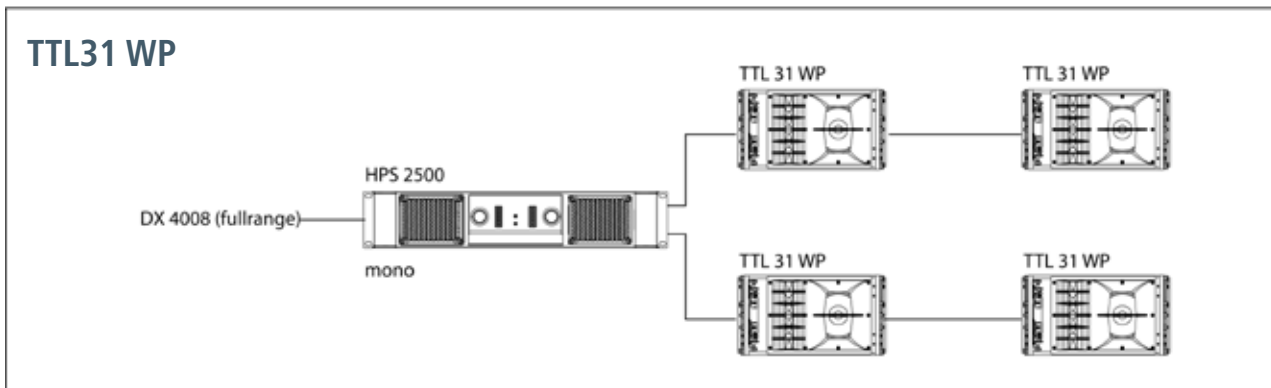
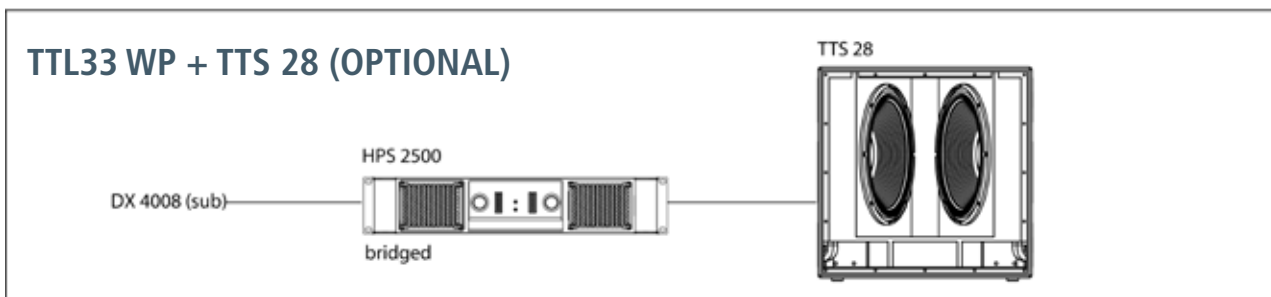
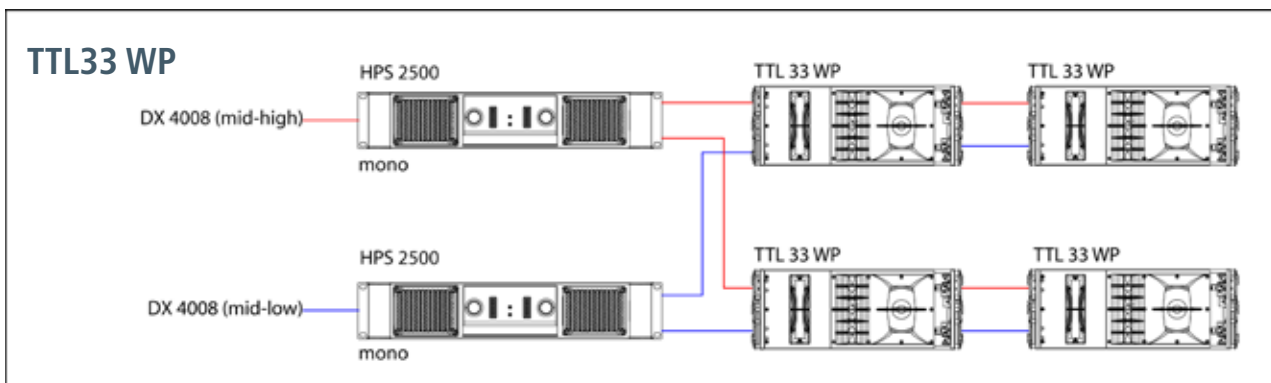


#### TTL31 WP + TTL12-S WP



## 4 Recommended amplification

TTL WP Line Array System, amplifier wiring schematics.



## 5 Array Equalization

To obtain the best performance from the TT series in Line Array configuration, RCF Spa suggests some specific equalization parameters.



The DX 4008, is a complete 4 input- 8 output digital loudspeaker management system designed for touring or fixed sound installations markets.

Sampling rate can be set to 96KHz. The high- bit DSP, prevents noise and distortion induced by truncation errors of the commonly used 24- bit fixed point devices. A complete set of parameters include I/O levels, delay, polarity, 6 bands of parametric EQ per channel, multiple crossover selections and full function limiters. Precise frequency control, is achieved with its 1Hz resolution.

Inputs and outputs can be routed in multiple configuration to meet any requirements. The DX 4008 can be controlled or configured in real time on the front panel or with the intuitive PC GUI accessed via the RS 232 interface. Software upgrade for CPU and DSP via PC keeps the device current with newly developed algorithms and functions once available. Multiple setup storage and system security complete this professional package.

RCF suggests to equalize line array systems as indicated in the table below.

Different configuration are available on request to the RCF Technical department [info@rcf.it](mailto:info@rcf.it).

## 5.1 Equalization List

The following table shows the list of the available equalization presets for different configurations:  
Model Configuration Description

| Model                | Program | Name                    | Line Array modules             |
|----------------------|---------|-------------------------|--------------------------------|
| TTL31 WP             | 1       | 01 PROGRAM TTL31WP_2-3  | from 2 to 3, speaker modules   |
| TTL31 WP             | 2       | 02 PROGRAM TTL31WP_4-6  | from 4 to 6, speaker modules   |
| TTL31 WP             | 3       | 03 PROGRAM TTL31WP_7-9  | from 7 to 9, speaker modules   |
| TTL31 WP             | 4       | 04 PROGRAM TTL31WP_1012 | from 10 to 12, speaker modules |
| TTL33 WP             | 5       | 05 PROGRAM TTL33WP_2-3  | from 2 to 3, speaker modules   |
| TTL33 WP             | 6       | 06 PROGRAM TTL33WP_4-6  | from 4 to 6, speaker modules   |
| TTL33 WP             | 7       | 07 PROGRAM TTL33WP_7-9  | from 7 to 9, speaker modules   |
| TTL33 WP             | 8       | 08 PROGRAM TTL33WP_10+  | from 10 to 16, speaker modules |
| TTL31 WP+ TTL12-S WP | 9       | 09 PROGRAM TTL3123TTL12 | from 2 to 3, speaker modules   |
| TTL31 WP+ TTL12-S WP | 10      | 10 PROGRAM TTL3146TTL12 | from 4 to 6, speaker modules   |
| TTL31 WP+ TTL12-S WP | 11      | 11 PROGRAM TTL3179TTL12 | from 7 to 9, speaker modules   |
| TTL31 WP+ TTL12-S WP | 12      | 12 PROGRAM TTL311012T12 | from 10 to 12, speaker modules |

## 5.2 Equalization parameters TTL31 WP

Preset available on DX 4008:

### GENERAL PARAMETER

|                   |                   |              |                            |
|-------------------|-------------------|--------------|----------------------------|
| SIGNAL PARAMETER: | LEVEL: -11.5      | POLARITY: +  | DELAY: 0                   |
| LIMIT PARAMETER:  | THRESH: + 2.5 dBu | ATTACK: 4 ms | RELEASE: 8X (32 ms)        |
| XOVER PARAMETER:  | FTRL: Butterworth | FRQL: 80 Hz  | SLPL: 24 dB      FTRH: Off |

### Equalization parameter DX 4008

| Program | Eq.                                  | OUT                                    | Level  | Frequency | Bandwidth | Type |
|---------|--------------------------------------|--|--------|-----------|-----------|------|
| 1       | 1                                    | OUT 1 left ch. - OUT 5 right ch., NEAR | - 7.75 | 604       | 0.33      | PEQ  |
|         | 2                                    | OUT 1 left ch. - OUT 5 right ch., NEAR | + 10   | 100       | 1.44      | PEQ  |
|         | 3                                    | OUT 1 left ch. - OUT 5 right ch., NEAR | + 5    | 10044     | 0.75      | PEQ  |
|         | 4                                    | OUT 1 left ch. - OUT 5 right ch., NEAR | - 6    | 4926      | 0.71      | PEQ  |
|         | 5                                    | OUT 1 left ch. - OUT 5 right ch., NEAR | + 2.5  | 1304      | 0.33      | PEQ  |
|         | 6                                    | OUT 1 left ch. - OUT 5 right ch., NEAR | + 2    | 186       | 0.56      | PEQ  |
|         |                                      |  |        |           |           |      |
|         | 1                                    | OUT 2 left ch. - OUT 6 right ch., MID  | - 7.75 | 604       | 0.33      | PEQ  |
|         | 2                                    | OUT 2 left ch. - OUT 6 right ch., MID  | + 10   | 100       | 1.44      | PEQ  |
|         | 3                                    | OUT 2 left ch. - OUT 6 right ch., MID  | + 7.5  | 10044     | 0.75      | PEQ  |
|         | 4                                    | OUT 2 left ch. - OUT 6 right ch., MID  | - 6    | 4926      | 0.71      | PEQ  |
|         | 5                                    | OUT 2 left ch. - OUT 6 right ch., MID  | + 2.5  | 1304      | 0.33      | PEQ  |
|         | 6                                    | OUT 2 left ch. - OUT 6 right ch., MID  | + 2    | 186       | 0.56      | PEQ  |
|         |                                      |  |        |           |           |      |
|         | 1                                    | OUT 3 left ch. - OUT 7 right ch. FAR   | - 7.75 | 604       | 0.33      | PEQ  |
|         | 2                                    | OUT 3 left ch. - OUT 7 right ch. FAR   | + 10   | 100       | 1.44      | PEQ  |
|         | 3                                    | OUT 3 left ch. - OUT 7 right ch. FAR   | + 10   | 10044     | 1.27      | PEQ  |
|         | 4                                    | OUT 3 left ch. - OUT 7 right ch. FAR   | - 7.5  | 5022      | 0.62      | PEQ  |
| 5       | OUT 3 left ch. - OUT 7 right ch. FAR | + 2.5                                  | 1304   | 0.33      | PEQ       |      |
| 6       | OUT 3 left ch. - OUT 7 right ch. FAR | + 2                                    | 186    | 0.56      | PEQ       |      |
| 2       | 1                                    | OUT 1 left ch. - OUT 5 right ch., NEAR | - 7    | 604       | 0.33      | PEQ  |
|         | 2                                    | OUT 1 left ch. - OUT 5 right ch., NEAR | + 10   | 100       | 1.44      | PEQ  |
|         | 3                                    | OUT 1 left ch. - OUT 5 right ch., NEAR | + 7    | 10044     | 0.87      | PEQ  |
|         | 4                                    | OUT 1 left ch. - OUT 5 right ch., NEAR | + 2.5  | 1304      | 0.33      | PEQ  |
|         | 5                                    | OUT 1 left ch. - OUT 5 right ch., NEAR | + 3    | 186       | 0.82      | PEQ  |
|         | 6                                    | OUT 1 left ch. - OUT 5 right ch., NEAR | - 6    | 4926      | 0.71      | PEQ  |
|         |                                      |  |        |           |           |      |
|         | 1                                    | OUT 2 left ch. - OUT 6 right ch., MID  | - 7    | 604       | 0.33      | PEQ  |
|         | 2                                    | OUT 2 left ch. - OUT 6 right ch., MID  | + 10   | 100       | 1.44      | PEQ  |
|         | 3                                    | OUT 2 left ch. - OUT 6 right ch., MID  | + 9.5  | 10044     | 0.83      | PEQ  |
|         | 4                                    | OUT 2 left ch. - OUT 6 right ch., MID  | + 2.5  | 1304      | 0.33      | PEQ  |
|         | 5                                    | OUT 2 left ch. - OUT 6 right ch., MID  | + 3    | 186       | 0.82      | PEQ  |
|         | 6                                    | OUT 2 left ch. - OUT 6 right ch., MID  | - 6    | 4926      | 0.71      | PEQ  |
|         |                                      |  |        |           |           |      |
|         | 1                                    | OUT 3 left ch. - OUT 7 right ch. FAR   | - 7    | 604       | 0.33      | PEQ  |
|         | 2                                    | OUT 3 left ch. - OUT 7 right ch. FAR   | + 10   | 100       | 1.44      | PEQ  |
|         | 3                                    | OUT 3 left ch. - OUT 7 right ch. FAR   | + 12   | 10044     | 0.84      | PEQ  |
|         | 4                                    | OUT 3 left ch. - OUT 7 right ch. FAR   | + 2.5  | 1304      | 0.33      | PEQ  |
| 5       | OUT 3 left ch. - OUT 7 right ch. FAR | + 3                                    | 186    | 0.82      | PEQ       |      |
| 6       | OUT 3 left ch. - OUT 7 right ch. FAR | - 6                                    | 4926   | 0.71      | PEQ       |      |



## Equalization parameters TTL31 WP

Preset available on DX 4008:

### GENERAL PARAMETER

|                   |                   |              |                            |
|-------------------|-------------------|--------------|----------------------------|
| SIGNAL PARAMETER: | LEVEL: -11.5      | POLARITY: +  | DELAY: 0                   |
| LIMIT PARAMETER:  | THRESH: + 2.5 dBu | ATTACK: 4 ms | RELEASE: 8X (32 ms)        |
| XOVER PARAMETER:  | FTRL: Butterworth | FRQL: 80 Hz  | SLPL: 24 dB      FTRH: Off |

### Equalization parameter DX 4008

| Program | Eq.                                  | OUT                                    | Level  | Frequency | Bandwidth | Type |
|---------|--------------------------------------|--|--------|-----------|-----------|------|
| 3       | 1                                    | OUT 1 left ch. - OUT 5 right ch., NEAR | - 7    | 604       | 0.33      | PEQ  |
|         | 2                                    | OUT 1 left ch. - OUT 5 right ch., NEAR | + 8    | 100       | 1.44      | PEQ  |
|         | 3                                    | OUT 1 left ch. - OUT 5 right ch., NEAR | + 8    | 10044     | 0.87      | PEQ  |
|         | 4                                    | OUT 1 left ch. - OUT 5 right ch., NEAR | - 6    | 4926      | 0.71      | PEQ  |
|         | 5                                    | OUT 1 left ch. - OUT 5 right ch., NEAR | + 2.5  | 1304      | 0.33      | PEQ  |
|         | 6                                    | OUT 1 left ch. - OUT 5 right ch., NEAR | + 3    | 183       | 0.82      | PEQ  |
|         |                                      |  |        |           |           |      |
|         | 1                                    | OUT 2 left ch. - OUT 6 right ch., MID  | - 7    | 604       | 0.33      | PEQ  |
|         | 2                                    | OUT 2 left ch. - OUT 6 right ch., MID  | + 8    | 100       | 1.44      | PEQ  |
|         | 3                                    | OUT 2 left ch. - OUT 6 right ch., MID  | + 10.5 | 10044     | 0.87      | PEQ  |
|         | 4                                    | OUT 2 left ch. - OUT 6 right ch., MID  | - 6    | 4926      | 0.71      | PEQ  |
|         | 5                                    | OUT 2 left ch. - OUT 6 right ch., MID  | + 2.5  | 1304      | 0.33      | PEQ  |
|         | 6                                    | OUT 2 left ch. - OUT 6 right ch., MID  | + 3    | 183       | 0.82      | PEQ  |
|         |                                      |  |        |           |           |      |
|         | 1                                    | OUT 3 left ch. - OUT 7 right ch. FAR   | - 7    | 604       | 0.33      | PEQ  |
|         | 2                                    | OUT 3 left ch. - OUT 7 right ch. FAR   | + 8    | 100       | 1.44      | PEQ  |
|         | 3                                    | OUT 3 left ch. - OUT 7 right ch. FAR   | + 13   | 10044     | 0.87      | PEQ  |
|         | 4                                    | OUT 3 left ch. - OUT 7 right ch. FAR   | - 6    | 4926      | 0.71      | PEQ  |
| 5       | OUT 3 left ch. - OUT 7 right ch. FAR | + 2.5                                  | 1304   | 0.33      | PEQ       |      |
| 6       | OUT 3 left ch. - OUT 7 right ch. FAR | + 3                                    | 186    | 0.82      | PEQ       |      |
| 4       | 1                                    | OUT 1 left ch. - OUT 5 right ch., NEAR | - 7    | 604       | 0.33      | PEQ  |
|         | 2                                    | OUT 1 left ch. - OUT 5 right ch., NEAR | + 5    | 100       | 1.44      | PEQ  |
|         | 3                                    | OUT 1 left ch. - OUT 5 right ch., NEAR | + 9    | 10044     | 0.88      | PEQ  |
|         | 4                                    | OUT 1 left ch. - OUT 5 right ch., NEAR | - 6    | 4926      | 0.71      | PEQ  |
|         | 5                                    | OUT 1 left ch. - OUT 5 right ch., NEAR | + 2.5  | 1304      | 0.33      | PEQ  |
|         | 6                                    | OUT 1 left ch. - OUT 5 right ch., NEAR | + 3    | 186       | 0.82      | PEQ  |
|         |                                      |  |        |           |           |      |
|         | 1                                    | OUT 2 left ch. - OUT 6 right ch., MID  | - 7    | 604       | 0.33      | PEQ  |
|         | 2                                    | OUT 2 left ch. - OUT 6 right ch., MID  | + 5    | 100       | 1.44      | PEQ  |
|         | 3                                    | OUT 2 left ch. - OUT 6 right ch., MID  | + 11.5 | 10044     | 1.05      | PEQ  |
|         | 4                                    | OUT 2 left ch. - OUT 6 right ch., MID  | - 6.5  | 4926      | 0.71      | PEQ  |
|         | 5                                    | OUT 2 left ch. - OUT 6 right ch., MID  | + 2.5  | 1304      | 0.33      | PEQ  |
|         | 6                                    | OUT 2 left ch. - OUT 6 right ch., MID  | + 3    | 186       | 0.82      | PEQ  |
|         |                                      |  |        |           |           |      |
|         | 1                                    | OUT 3 left ch. - OUT 7 right ch. FAR   | - 7    | 604       | 0.33      | PEQ  |
|         | 2                                    | OUT 3 left ch. - OUT 7 right ch. FAR   | + 5    | 100       | 1.44      | PEQ  |
|         | 3                                    | OUT 3 left ch. - OUT 7 right ch. FAR   | + 14   | 10044     | 1.15      | PEQ  |
|         | 4                                    | OUT 3 left ch. - OUT 7 right ch. FAR   | - 7    | 4926      | 0.71      | PEQ  |
| 5       | OUT 3 left ch. - OUT 7 right ch. FAR | + 2.5                                  | 1330   | 0.33      | PEQ       |      |
| 6       | OUT 3 left ch. - OUT 7 right ch. FAR | + 3                                    | 186    | 0.82      | PEQ       |      |

### 5.3 Equalization parameters TTL33 WP

Preset available on DX 4008:

GENERAL PARAMETER:

LIMIT PARAMETER OUT 1: THRESH: + 5 dBu      ATTACK: 4 ms      RELEASE: 8X  
LIMIT PARAMETER OUT 2-3-4: THRESH: + 3 dBu      ATTACK: 4 ms      RELEASE: 8X

#### Equalization parameter DX 4008

| Program | Parameter   | Eq. | OUT                                     | Level  | Frequency | Band-width | Type |
|---------|---|-----|---|--------|-----------|------------|------|
| 5       | Signal:<br>LEVEL: + 1<br>POL: +<br>DELAY: 0<br><br>Xover:<br>FTRL:Butterworth<br>FRQL: 50 Hz<br>SLPL: 24 dB<br>FTRH:Bessel<br>FRQL: 302 Hz<br>SLPL: 24 dB | 1   | OUT 1 left ch. - OUT 5 right ch., LOW   | - 7    | 307       | 0.33       | PEQ  |
|         |   | 2   | OUT 1 left ch. - OUT 5 right ch., LOW   | + 4    | 84        | 0.80       | PEQ  |
|         |   | 3   | OUT 1 left ch. - OUT 5 right ch., LOW   | - 1.5  | 230       | 0.51       | PEQ  |
|         |   | 4   |   |        |           |            |      |
|         |   | 5   |   |        |           |            |      |
|         |   | 6   |   |        |           |            |      |
|         | Signal:<br>LEVEL: - 10.25<br>POL: +<br>DELAY: 49 ms<br><br>Xover:<br>FTRL: Bessel<br>FRQL: 302 Hz<br>SLPL: 24 dB<br>FTRH: Off                             | 1   | OUT 2 left ch. - OUT 6 right ch. N-MIHI | - 4.25 | 887       | 0.66       | PEQ  |
|         |   | 2   | OUT 2 left ch. - OUT 6 right ch. N-MIHI | + 5    | 1162      | 0.33       | PEQ  |
|         |   | 3   | OUT 2 left ch. - OUT 6 right ch. N-MIHI | + 4.5  | 1917      | 0.35       | PEQ  |
|         |   | 4   | OUT 2 left ch. - OUT 6 right ch. N-MIHI | + 9    | 11059     | 0.33       | PEQ  |
|         |   | 5   | OUT 2 left ch. - OUT 6 right ch. N-MIHI | - 6    | 4063      | 0.50       | PEQ  |
|         |   | 6   | OUT 2 left ch. - OUT 6 right ch. N-MIHI | + 4.5  | 2280      | 0.33       | PEQ  |
|         |   | 1   | OUT 3 left ch. - OUT 7 right ch. M-MIHI | - 4.25 | 887       | 0.66       | PEQ  |
|         |   | 2   | OUT 3 left ch. - OUT 7 right ch. M-MIHI | + 5    | 1162      | 0.33       | PEQ  |
|         |   | 3   | OUT 3 left ch. - OUT 7 right ch. M-MIHI | + 4.5  | 1917      | 0.35       | PEQ  |
|         |   | 4   | OUT 3 left ch. - OUT 7 right ch. M-MIHI | + 11   | 11059     | 0.49       | PEQ  |
|         |   | 5   | OUT 3 left ch. - OUT 7 right ch. M-MIHI | - 6    | 4063      | 0.50       | PEQ  |
|         |   | 6   | OUT 3 left ch. - OUT 7 right ch. M-MIHI | + 4.5  | 2280      | 0.33       | PEQ  |
|         |   | 1   | OUT 4 left ch. - OUT 8 right ch. F-MIHI | - 4.25 | 887       | 0.66       | PEQ  |
|         |   | 2   | OUT 4 left ch. - OUT 8 right ch. F-MIHI | + 5    | 1162      | 0.33       | PEQ  |
|         |   | 3   | OUT 4 left ch. - OUT 8 right ch. F-MIHI | + 4.5  | 1917      | 0.35       | PEQ  |
|         |   | 4   | OUT 4 left ch. - OUT 8 right ch. F-MIHI | + 13   | 11059     | 0.61       | PEQ  |
|         |   | 5   | OUT 4 left ch. - OUT 8 right ch. F-MIHI | - 6    | 4063      | 0.50       | PEQ  |
|         |   | 6   | OUT 4 left ch. - OUT 8 right ch. F-MIHI | + 4.5  | 2280      | 0.33       | PEQ  |

## Equalization parameters TTL33 WP

Preset available on DX 4008:

### GENERAL PARAMETER:

LIMIT PARAMETER OUT 1: THRESH: + 5 dBu ATTACK: 4 ms RELEASE: 8X  
 LIMIT PARAMETER OUT 2-3-4: THRESH: + 3 dBu ATTACK: 4 ms RELEASE: 8X

### Equalization parameter DX 4008

| Array system | Parameter   | Eq. | OUT                                     | Level  | Frequency | Band-width | Type |
|--------------|---|-----|---|--------|-----------|------------|------|
| 6            | Signal:<br>LEVEL: - 2.5<br>POL: +<br>DELAY: 0<br><br>Xover:<br>FTRL:Butterworth<br>FRQL: 50 Hz<br>SLPL: 24 dB<br>FTRH:Bessel<br>FRQL: 302 Hz<br>SLPL: 24 dB | 1   | OUT 1 left ch. - OUT 5 right ch., LOW   | + 8    | 307       | 0.33       | PEQ  |
|              |   | 2   | OUT 1 left ch. - OUT 5 right ch., LOW   | + 5    | 84        | 0.80       | PEQ  |
|              |   | 3   | OUT 1 left ch. - OUT 5 right ch., LOW   | + 3.5  | 302       | 0.24       | PEQ  |
|              |   | 4   |   |        |           |            |      |
|              |   | 5   |   |        |           |            |      |
|              |   | 6   |   |        |           |            |      |
|              | Signal:<br>LEVEL: - 10.25<br>POL: +<br>DELAY: 50 ms<br><br>Xover:<br>FTRL: Bessel<br>FRQL: 302 Hz<br>SLPL: 24 dB<br>FTRH: Off                               | 1   | OUT 2 left ch. - OUT 6 right ch. N-MIHI | - 4.25 | 887       | 0.66       | PEQ  |
|              |   | 2   | OUT 2 left ch. - OUT 6 right ch. N-MIHI | + 5    | 1162      | 0.33       | PEQ  |
|              |   | 3   | OUT 2 left ch. - OUT 6 right ch. N-MIHI | + 4.5  | 1917      | 0.35       | PEQ  |
|              |   | 4   | OUT 2 left ch. - OUT 6 right ch. N-MIHI | + 10   | 11059     | 0.42       | PEQ  |
|              |   | 5   | OUT 2 left ch. - OUT 6 right ch. N-MIHI | - 6    | 4063      | 0.50       | PEQ  |
|              |   | 6   | OUT 2 left ch. - OUT 6 right ch. N-MIHI | + 4.5  | 2280      | 0.33       | PEQ  |
|              |   | 1   | OUT 3 left ch. - OUT 7 right ch. M-MIHI | - 4.25 | 887       | 0.66       | PEQ  |
|              |   | 2   | OUT 3 left ch. - OUT 7 right ch. M-MIHI | + 5    | 1162      | 0.33       | PEQ  |
|              |   | 3   | OUT 3 left ch. - OUT 7 right ch. M-MIHI | + 4.5  | 1917      | 0.35       | PEQ  |
|              |   | 4   | OUT 3 left ch. - OUT 7 right ch. M-MIHI | + 12   | 11059     | 0.50       | PEQ  |
|              |   | 5   | OUT 3 left ch. - OUT 7 right ch. M-MIHI | - 6    | 4063      | 0.50       | PEQ  |
|              |   | 6   | OUT 3 left ch. - OUT 7 right ch. M-MIHI | + 4.5  | 2280      | 0.33       | PEQ  |
|              |   | 1   | OUT 4 left ch. - OUT 8 right ch. F-MIHI | - 4.25 | 887       | 0.66       | PEQ  |
|              |   | 2   | OUT 4 left ch. - OUT 8 right ch. F-MIHI | + 5    | 1162      | 0.33       | PEQ  |
|              |   | 3   | OUT 4 left ch. - OUT 8 right ch. F-MIHI | + 4.5  | 1917      | 0.35       | PEQ  |
|              |   | 4   | OUT 4 left ch. - OUT 8 right ch. F-MIHI | + 13.5 | 11059     | 0.68       | PEQ  |
|              |   | 5   | OUT 4 left ch. - OUT 8 right ch. F-MIHI | - 6    | 4063      | 0.50       | PEQ  |
|              |   | 6   | OUT 4 left ch. - OUT 8 right ch. F-MIHI | + 4.5  | 2280      | 0.33       | PEQ  |

## Equalization parameters TTL33 WP

Preset available on DX 4008:

## GENERAL PARAMETER:

LIMIT PARAMETER OUT 1:

THRESH: + 5 dBu

ATTACK: 4 ms

RELEASE: 8X

LIMIT PARAMETER OUT 2-3-4:

THRESH: + 3 dBu

ATTACK: 4 ms

RELEASE: 8X

## Equalization parameter DX 4008

| Array system | Parameter   | Eq. | OUT                                     | Level  | Frequency | Band-width | Type |
|--------------|---|-----|---|--------|-----------|------------|------|
| 7            | Signal:<br>LEVEL: - 6<br>POL: +<br>DELAY: 0<br><br>Xover:<br>FTRL:Butterworth<br>FRQL: 50 Hz<br>SLPL: 24 dB<br>FTRH:Bessel<br>FRQL: 302 Hz<br>SLPL: 24 dB | 1   | OUT 1 left ch. - OUT 5 right ch., LOW   | - 5.75 | 307       | 0.33       | PEQ  |
|              |   | 2   | OUT 1 left ch. - OUT 5 right ch., LOW   | + 5    | 84        | 0.80       | PEQ  |
|              |   | 3   | OUT 1 left ch. - OUT 5 right ch., LOW   | + 2.75 | 302       | 0.24       | PEQ  |
|              |   | 4   | OUT 1 left ch. - OUT 5 right ch., LOW   | + 2.5  | 230       | 0.90       | PEQ  |
|              |   | 5   |   |        |           |            |      |
|              |   | 6   |   |        |           |            |      |
|              | Signal:<br>LEVEL: - 10.25<br>POL: +<br>DELAY: 50 ms<br><br>Xover:<br>FTRL: Bessel<br>FRQL: 302 Hz<br>SLPL: 24 dB<br>FTRH: Off                             | 1   | OUT 2 left ch. - OUT 6 right ch. N-MIHI | - 4.25 | 887       | 0.66       | PEQ  |
|              |   | 2   | OUT 2 left ch. - OUT 6 right ch. N-MIHI | + 5    | 1162      | 0.33       | PEQ  |
|              |   | 3   | OUT 2 left ch. - OUT 6 right ch. N-MIHI | + 4.5  | 1917      | 0.35       | PEQ  |
|              |   | 4   | OUT 2 left ch. - OUT 6 right ch. N-MIHI | + 11.5 | 11058     | 0.41       | PEQ  |
|              |   | 5   | OUT 2 left ch. - OUT 6 right ch. N-MIHI | - 6    | 4063      | 0.50       | PEQ  |
|              |   | 6   | OUT 2 left ch. - OUT 6 right ch. N-MIHI | + 4.5  | 2280      | 0.33       | PEQ  |
|              |   | 1   | OUT 3 left ch. - OUT 7 right ch. M-MIHI | - 4.25 | 887       | 0.66       | PEQ  |
|              |   | 2   | OUT 3 left ch. - OUT 7 right ch. M-MIHI | + 5    | 1162      | 0.33       | PEQ  |
|              |   | 3   | OUT 3 left ch. - OUT 7 right ch. M-MIHI | + 4.5  | 1917      | 0.35       | PEQ  |
|              |   | 4   | OUT 3 left ch. - OUT 7 right ch. M-MIHI | + 13   | 11058     | 0.57       | PEQ  |
|              |   | 5   | OUT 3 left ch. - OUT 7 right ch. M-MIHI | - 6    | 4063      | 0.50       | PEQ  |
|              |   | 6   | OUT 3 left ch. - OUT 7 right ch. M-MIHI | + 4.5  | 2280      | 0.33       | PEQ  |
|              |   | 1   | OUT 4 left ch. - OUT 8 right ch. F-MIHI | - 4.25 | 887       | 0.66       | PEQ  |
|              |   | 2   | OUT 4 left ch. - OUT 8 right ch. F-MIHI | + 5    | 1162      | 0.33       | PEQ  |
|              |   | 3   | OUT 4 left ch. - OUT 8 right ch. F-MIHI | + 4.5  | 1917      | 0.35       | PEQ  |
|              |   | 4   | OUT 4 left ch. - OUT 8 right ch. F-MIHI | + 14   | 11058     | 0.70       | PEQ  |
|              |   | 5   | OUT 4 left ch. - OUT 8 right ch. F-MIHI | - 6    | 4063      | 0.50       | PEQ  |
|              |   | 6   | OUT 4 left ch. - OUT 8 right ch. F-MIHI | + 4.5  | 2280      | 0.33       | PEQ  |

## Equalization parameters TTL33 WP

Preset available on DX 4008:

### GENERAL PARAMETER:

LIMIT PARAMETER OUT 1: THRESH: + 5 dBu ATTACK: 4 ms RELEASE: 8X  
 LIMIT PARAMETER OUT 2-3-4: THRESH: + 3 dBu ATTACK: 4 ms RELEASE: 8X

### Equalization parameter DX 4008

| Array system | Parameter   | Eq. | OUT                                     | Level  | Frequency | Band-width | Type |
|--------------|---|-----|---|--------|-----------|------------|------|
| 8            | Signal:<br>LEVEL: - 5<br>POL: +<br>DELAY: 0<br><br>Xover:<br>FTRL:Butterworth<br>FRQL: 50 Hz<br>SLPL: 24 dB<br>FTRH:Bessel<br>FRQL: 302 Hz<br>SLPL: 24 dB | 1   | OUT 1 left ch. - OUT 5 right ch., LOW   | - 4    | 307       | 0.27       | PEQ  |
|              |   | 2   | OUT 1 left ch. - OUT 5 right ch., LOW   | + 2    | 201       | 0.35       | PEQ  |
|              |   | 3   | OUT 1 left ch. - OUT 5 right ch., LOW   | - 1.5  | 230       | 0.51       | PEQ  |
|              |   | 4   |   |        |           |            |      |
|              |   | 5   |   |        |           |            |      |
|              |   | 6   |   |        |           |            |      |
|              | Signal:<br>LEVEL: - 10.25<br>POL: +<br>DELAY: 48<br><br>Xover:<br>FTRL: Bessel<br>FRQL: 332 Hz<br>SLPL: 24 dB<br>FTRH: Off                                | 1   | OUT 2 left ch. - OUT 6 right ch. N-MIHI | - 4.25 | 887       | 0.66       | PEQ  |
|              |   | 2   | OUT 2 left ch. - OUT 6 right ch. N-MIHI | + 5    | 1162      | 0.33       | PEQ  |
|              |   | 3   | OUT 2 left ch. - OUT 6 right ch. N-MIHI | + 4.5  | 1917      | 0.35       | PEQ  |
|              |   | 4   | OUT 2 left ch. - OUT 6 right ch. N-MIHI | + 13   | 11058     | 0.42       | PEQ  |
|              |   | 5   | OUT 2 left ch. - OUT 6 right ch. N-MIHI | - 6    | 4063      | 0.50       | PEQ  |
|              |   | 6   | OUT 2 left ch. - OUT 6 right ch. N-MIHI | + 4.5  | 2280      | 0.33       | PEQ  |
|              |   | 1   | OUT 3 left ch. - OUT 7 right ch. M-MIHI | - 4.25 | 887       | 0.66       | PEQ  |
|              |   | 2   | OUT 3 left ch. - OUT 7 right ch. M-MIHI | + 5    | 1162      | 0.33       | PEQ  |
|              |   | 3   | OUT 3 left ch. - OUT 7 right ch. M-MIHI | + 4.5  | 1917      | 0.35       | PEQ  |
|              |   | 4   | OUT 3 left ch. - OUT 7 right ch. M-MIHI | + 14   | 11058     | 0.57       | PEQ  |
|              |   | 5   | OUT 3 left ch. - OUT 7 right ch. M-MIHI | - 6    | 4063      | 0.50       | PEQ  |
|              |   | 6   | OUT 3 left ch. - OUT 7 right ch. M-MIHI | + 4.5  | 2280      | 0.33       | PEQ  |
|              |   | 1   | OUT 4 left ch. - OUT 8 right ch. F-MIHI | - 4.25 | 887       | 0.66       | PEQ  |
|              |   | 2   | OUT 4 left ch. - OUT 8 right ch. F-MIHI | + 5    | 1162      | 0.33       | PEQ  |
|              |   | 3   | OUT 4 left ch. - OUT 8 right ch. F-MIHI | + 4.5  | 1917      | 0.35       | PEQ  |
|              |   | 4   | OUT 4 left ch. - OUT 8 right ch. F-MIHI | + 15   | 11058     | 0.70       | PEQ  |
|              |   | 5   | OUT 4 left ch. - OUT 8 right ch. F-MIHI | - 6    | 4063      | 0.50       | PEQ  |
|              |   | 6   | OUT 4 left ch. - OUT 8 right ch. F-MIHI | + 4.5  | 2280      | 0.33       | PEQ  |

## 5.4 Equalization parameters TTL31 WP + TTL12-S WP

Preset available on DX 4008:

### GENERAL PARAMETER:

#### SIGNAL PARAMETER

|                     |               |             |                 |
|---------------------|---------------|-------------|-----------------|
| TTL31 WP OUT 1-2-3: | LEVEL: - 11.5 | POLARITY: + | DELAY: 1.524 ms |
| TTL12-S WP OUT 4:   | LEVEL: - 7    | POLARITY: + | DELAY: 0        |

#### LIMIT PARAMETER

|                     |                   |              |             |
|---------------------|-------------------|--------------|-------------|
| TTL31 WP OUT 1-2-3: | THRESH: + 2.5 dBu | ATTACK: 4 ms | RELEASE: 8X |
| TTL12-S WP OUT 4:   | THRESH: + 8 dBu   | ATTACK: 4 ms | RELEASE: 8X |

#### XOVER PARAMETER

|                      |                   |              |             |           |
|----------------------|-------------------|--------------|-------------|-----------|
| TTL31 WP OUT 1-2-3 : | FTRL: Butterworth | FRQL: 119 Hz | SLPL: 24 dB | FTRH: Off |
| TTL12 WP OUT 4:      | FTRL: Butterworth | FRQL: 40 Hz  | SLPL: 36 dB |           |
|                      | FTRH: Butterworth | FRQL: 80 Hz  | SLPL: 24 dB |           |

### Equalization parameter DX 4008

| Program | Eq. | OUT   | Level  | Frequency | Bandwidth | Type |
|---------|-----|---|--------|-----------|-----------|------|
| 9       | 1   | OUT 1 left ch. - OUT 5 right ch., NEAR                  | - 7.75 | 604       | 0.33      | PEQ  |
|         | 2   | OUT 1 left ch. - OUT 5 right ch., NEAR                  | + 12.5 | 100       | 1.44      | PEQ  |
|         | 3   | OUT 1 left ch. - OUT 5 right ch., NEAR                  | + 5    | 10044     | 0.75      | PEQ  |
|         | 4   | OUT 1 left ch. - OUT 5 right ch., NEAR                  | - 6    | 4926      | 0.71      | PEQ  |
|         | 5   | OUT 1 left ch. - OUT 5 right ch., NEAR                  | + 2.5  | 1304      | 0.33      | PEQ  |
|         | 6   |   |        |           |           |      |
|         | 1   | OUT 2 left ch. - OUT 6 right ch., MID                   | - 7.75 | 604       | 0.33      | PEQ  |
|         | 2   | OUT 2 left ch. - OUT 6 right ch., MID                   | + 12.5 | 100       | 1.44      | PEQ  |
|         | 3   | OUT 2 left ch. - OUT 6 right ch., MID                   | + 7.5  | 10044     | 0.75      | PEQ  |
|         | 4   | OUT 2 left ch. - OUT 6 right ch., MID                   | - 6    | 4926      | 0.71      | PEQ  |
|         | 5   | OUT 2 left ch. - OUT 6 right ch., MID                   | + 2.5  | 1304      | 0.33      | PEQ  |
|         | 6   |   |        |           |           |      |
|         | 1   | OUT 3 left ch. - OUT 7 right ch. FAR                    | - 7.75 | 604       | 0.33      | PEQ  |
|         | 2   | OUT 3 left ch. - OUT 7 right ch. FAR                    | + 12.5 | 100       | 1.44      | PEQ  |
|         | 3   | OUT 3 left ch. - OUT 7 right ch. FAR                    | + 10   | 10044     | 1.27      | PEQ  |
|         | 4   | OUT 3 left ch. - OUT 7 right ch. FAR                    | - 7.5  | 5022      | 0.62      | PEQ  |
|         | 5   | OUT 3 left ch. - OUT 7 right ch. FAR                    | + 2.5  | 1304      | 0.33      | PEQ  |
|         | 6   |   |        |           |           |      |
|         | 1   | OUT 4 TTL12-S WP left ch.<br>OUT 8 TTL12-S WP right ch. | + 5    | 65        | 1.31      | PEQ  |
|         | 2   | OUT 4 TTL12-S WP left ch.<br>OUT 8 TTL12-S WP right ch. | + 3    | 91        | 0.29      | PEQ  |
|         | 3   |   |        |           |           |      |
|         | 4   |   |        |           |           |      |
|         | 5   |   |        |           |           |      |
|         | 6   |   |        |           |           |      |

## Equalization parameters TTL31 WP + TTL12-S WP

Preset available on DX 4008:

### GENERAL PARAMETER:

#### SIGNAL PARAMETER

TTL31 WP OUT 1-2-3: LEVEL: - 11.5 POLARITY: + DELAY: 1.524 ms  
 TTL12-S WP OUT 4: LEVEL: - 7 POLARITY: + DELAY: 0

#### LIMIT PARAMETER

TTL31 WP OUT 1-2-3: THRESH: + 2.5 dBu ATTACK: 4 ms RELEASE: 8X  
 TTL12-S WP OUT 4: THRESH: + 8 dBu ATTACK: 4 ms RELEASE: 8X

#### XOVER PARAMETER

TTL31 WP OUT 1-2-3 : FTRL: Butterworth FRQL: 119 Hz SLPL: 24 dB FTRH: Off  
 TTL12 WP OUT 4: FTRL: Butterworth FRQL: 40 Hz SLPL: 36 dB  
 FTRH: Butterworth FRQL: 80 Hz SLPL: 24 dB

### Equalization parameter DX 4008

| Program | Eq. | OUT   | Level | Frequency | Bandwidth | Type |
|---------|-----|---|-------|-----------|-----------|------|
| 10      | 1   | OUT 1 left ch. - OUT 5 right ch., NEAR                  | - 7   | 604       | 0.33      | PEQ  |
|         | 2   | OUT 1 left ch. - OUT 5 right ch., NEAR                  | + 10  | 100       | 1.44      | PEQ  |
|         | 3   | OUT 1 left ch. - OUT 5 right ch., NEAR                  | + 7   | 10044     | 0.87      | PEQ  |
|         | 4   | OUT 1 left ch. - OUT 5 right ch., NEAR                  | + 2.5 | 1304      | 0.33      | PEQ  |
|         | 5   | OUT 1 left ch. - OUT 5 right ch., NEAR                  | -6    | 4926      | 0.71      | PEQ  |
|         | 6   |   |       |           |           |      |
|         | 1   | OUT 2 left ch. - OUT 6 right ch., MID                   | - 7   | 604       | 0.33      | PEQ  |
|         | 2   | OUT 2 left ch. - OUT 6 right ch., MID                   | + 10  | 100       | 1.44      | PEQ  |
|         | 3   | OUT 2 left ch. - OUT 6 right ch., MID                   | + 9.5 | 10044     | 0.83      | PEQ  |
|         | 4   | OUT 2 left ch. - OUT 6 right ch., MID                   | + 2.5 | 1304      | 0.33      | PEQ  |
|         | 5   | OUT 2 left ch. - OUT 6 right ch., MID                   | -6    | 4926      | 0.71      | PEQ  |
|         | 6   |   |       |           |           |      |
|         | 1   | OUT 3 left ch. - OUT 7 right ch. FAR                    | - 7   | 604       | 0.33      | PEQ  |
|         | 2   | OUT 3 left ch. - OUT 7 right ch. FAR                    | + 10  | 100       | 1.44      | PEQ  |
|         | 3   | OUT 3 left ch. - OUT 7 right ch. FAR                    | + 12  | 10044     | 0.84      | PEQ  |
|         | 4   | OUT 3 left ch. - OUT 7 right ch. FAR                    | + 2.5 | 1304      | 0.33      | PEQ  |
|         | 5   | OUT 3 left ch. - OUT 7 right ch. FAR                    | -6    | 4926      | 0.71      | PEQ  |
|         | 6   |   |       |           |           |      |
|         | 1   | OUT 4 TTL12-S WP left ch.<br>OUT 8 TTL12-S WP right ch. | + 5   | 65        | 1.31      | PEQ  |
|         | 2   | OUT 4 TTL12-S WP left ch.<br>OUT 8 TTL12-S WP right ch. | + 3   | 91        | 0.29      | PEQ  |
|         | 3   |   |       |           |           |      |
|         | 4   |   |       |           |           |      |
|         | 5   |   |       |           |           |      |
|         | 6   |   |       |           |           |      |

## Equalization parameters TTL31 WP + TTL12-S WP

Preset available on DX 4008:

### GENERAL PARAMETER:

#### SIGNAL PARAMETER

|                     |               |             |                 |
|---------------------|---------------|-------------|-----------------|
| TTL31 WP OUT 1-2-3: | LEVEL: - 11.5 | POLARITY: + | DELAY: 1.524 ms |
| TTL12-S WP OUT 4:   | LEVEL: - 7    | POLARITY: + | DELAY: 0        |

#### LIMIT PARAMETER

|                     |                   |              |             |
|---------------------|-------------------|--------------|-------------|
| TTL31 WP OUT 1-2-3: | THRESH: + 2.5 dBu | ATTACK: 4 ms | RELEASE: 8X |
| TTL12-S WP OUT 4:   | THRESH: + 8 dBu   | ATTACK: 4 ms | RELEASE: 8X |

#### XOVER PARAMETER

|                      |                   |              |             |           |
|----------------------|-------------------|--------------|-------------|-----------|
| TTL31 WP OUT 1-2-3 : | FTRL: Butterworth | FRQL: 119 Hz | SLPL: 24 dB | FTRH: Off |
| TTL12 WP OUT 4:      | FTRL: Butterworth | FRQL: 40 Hz  | SLPL: 36 dB |           |
|                      | FTRH: Butterworth | FRQL: 80 Hz  | SLPL: 24 dB |           |

### Equalization parameter DX 4008

| Program | Eq. | OUT   | Level  | Frequency | Bandwidth | Type |
|---------|-----|---|--------|-----------|-----------|------|
| 11      | 1   | OUT 1 left ch. - OUT 5 right ch., NEAR                  | - 7    | 604       | 0.33      | PEQ  |
|         | 2   | OUT 1 left ch. - OUT 5 right ch., NEAR                  | + 8    | 100       | 1.44      | PEQ  |
|         | 3   | OUT 1 left ch. - OUT 5 right ch., NEAR                  | + 8    | 10044     | 0.87      | PEQ  |
|         | 4   | OUT 1 left ch. - OUT 5 right ch., NEAR                  | - 6    | 4926      | 0.71      | PEQ  |
|         | 5   | OUT 1 left ch. - OUT 5 right ch., NEAR                  | + 2.5  | 1304      | 0.33      | PEQ  |
|         | 6   |   |        |           |           |      |
|         | 1   | OUT 2 left ch. - OUT 6 right ch., MID                   | - 7    | 604       | 0.33      | PEQ  |
|         | 2   | OUT 2 left ch. - OUT 6 right ch., MID                   | + 8    | 100       | 1.44      | PEQ  |
|         | 3   | OUT 2 left ch. - OUT 6 right ch., MID                   | + 10.5 | 10044     | 0.87      | PEQ  |
|         | 4   | OUT 2 left ch. - OUT 6 right ch., MID                   | - 6    | 4926      | 0.71      | PEQ  |
|         | 5   | OUT 2 left ch. - OUT 6 right ch., MID                   | + 2.5  | 1304      | 0.33      | PEQ  |
|         | 6   |   |        |           |           |      |
|         | 1   | OUT 3 left ch. - OUT 7 right ch. FAR                    | - 7    | 604       | 0.33      | PEQ  |
|         | 2   | OUT 3 left ch. - OUT 7 right ch. FAR                    | + 8    | 100       | 1.44      | PEQ  |
|         | 3   | OUT 3 left ch. - OUT 7 right ch. FAR                    | + 13   | 10044     | 0.87      | PEQ  |
|         | 4   | OUT 3 left ch. - OUT 7 right ch. FAR                    | - 6    | 4926      | 0.71      | PEQ  |
|         | 5   | OUT 3 left ch. - OUT 7 right ch. FAR                    | + 2.5  | 1304      | 0.33      | PEQ  |
|         | 6   |   |        |           |           |      |
|         | 1   | OUT 4 TTL12-S WP left ch.<br>OUT 8 TTL12-S WP right ch. | + 5    | 65        | 1.31      | PEQ  |
|         | 2   | OUT 4 TTL12-S WP left ch.<br>OUT 8 TTL12-S WP right ch. | + 3    | 91        | 0.29      | PEQ  |
|         | 3   |   |        |           |           |      |
|         | 4   |   |        |           |           |      |
|         | 5   |   |        |           |           |      |
|         | 6   |   |        |           |           |      |



## Equalization parameters TTL31 WP + TTL12-S WP

Preset available on DX 4008:

### GENERAL PARAMETER:

#### SIGNAL PARAMETER

TTL31 WP OUT 1-2-3: LEVEL: - 11.5 POLARITY: + DELAY: 1.524 ms  
TTL12-S WP OUT 4: LEVEL: - 7 POLARITY: + DELAY: 0

#### LIMIT PARAMETER

TTL31 WP OUT 1-2-3: THRESH: + 2.5 dBu ATTACK: 4 ms RELEASE: 8X  
TTL12-S WP OUT 4: THRESH: + 8 dBu ATTACK: 4 ms RELEASE: 8X

#### XOVER PARAMETER

TTL31 WP OUT 1-2-3 : FTRL: Butterworth FRQL: 119 Hz SLPL: 24 dB FTRH: Off  
TTL12 WP OUT 4: FTRL: Butterworth FRQL: 40 Hz SLPL: 36 dB  
FTRH: Butterworth FRQL: 80 Hz SLPL: 24 dB

### Equalization parameter DX 4008

| Program | Eq. | OUT   | Level  | Frequency | Bandwidth | Type |
|---------|-----|---|--------|-----------|-----------|------|
| 12      | 1   | OUT 1 left ch. - OUT 5 right ch., NEAR                  | - 7    | 604       | 0.33      | PEQ  |
|         | 2   | OUT 1 left ch. - OUT 5 right ch., NEAR                  | + 5    | 100       | 1.44      | PEQ  |
|         | 3   | OUT 1 left ch. - OUT 5 right ch., NEAR                  | + 9    | 10044     | 0.88      | PEQ  |
|         | 4   | OUT 1 left ch. - OUT 5 right ch., NEAR                  | - 6.5  | 4926      | 0.71      | PEQ  |
|         | 5   | OUT 1 left ch. - OUT 5 right ch., NEAR                  | + 2.5  | 1304      | 0.33      | PEQ  |
|         | 6   |   |        |           |           |      |
|         | 1   | OUT 2 left ch. - OUT 6 right ch., MID                   | - 7    | 604       | 0.33      | PEQ  |
|         | 2   | OUT 2 left ch. - OUT 6 right ch., MID                   | + 5    | 100       | 1.44      | PEQ  |
|         | 3   | OUT 2 left ch. - OUT 6 right ch., MID                   | + 11.5 | 10044     | 1.05      | PEQ  |
|         | 4   | OUT 2 left ch. - OUT 6 right ch., MID                   | - 6.5  | 4926      | 0.71      | PEQ  |
|         | 5   | OUT 2 left ch. - OUT 6 right ch., MID                   | + 2.5  | 1304      | 0.33      | PEQ  |
|         | 6   |   |        |           |           |      |
|         | 1   | OUT 3 left ch. - OUT 7 right ch. FAR                    | - 7    | 604       | 0.33      | PEQ  |
|         | 2   | OUT 3 left ch. - OUT 7 right ch. FAR                    | + 5    | 100       | 1.44      | PEQ  |
|         | 3   | OUT 3 left ch. - OUT 7 right ch. FAR                    | + 14   | 10044     | 1.15      | PEQ  |
|         | 4   | OUT 3 left ch. - OUT 7 right ch. FAR                    | - 7    | 4926      | 0.71      | PEQ  |
|         | 5   | OUT 3 left ch. - OUT 7 right ch. FAR                    | + 2.5  | 1330      | 0.33      | PEQ  |
|         | 6   |   |        |           |           |      |
|         | 1   | OUT 4 TTL12-S WP left ch.<br>OUT 8 TTL12-S WP right ch. | + 5    | 65        | 1.31      | PEQ  |
|         | 2   | OUT 4 TTL12-S WP left ch.<br>OUT 8 TTL12-S WP right ch. | + 3    | 91        | 0.29      | PEQ  |
|         | 3   |   |        |           |           |      |
|         | 4   |   |        |           |           |      |
|         | 5   |   |        |           |           |      |
|         | 6   |   |        |           |           |      |



**the rules of sound**

**HEADQUARTERS:**

**RCF S.p.A. Italy**

tel. +39 0522 274 411  
e-mail: info@rcf.it

**RCF UK**

tel. 0844 745 1234  
Int. +44 870 626 3142  
e-mail: info@rcfaudio.co.uk

**RCF France**

tel. +33 1 49 01 02 31  
e-mail: rcffrance@aol.com

**RCF Germany**

tel. +49 2203 925370  
e-mail: germany@rcf.it

**RCF Spain**

tel. +34 91 817 42 66  
e-mail: info@rcfaudio.es

**RCF USA Inc.**

tel. +1 (603) 926-4604  
e-mail: info@rcf-usa.com

[www.rcfaudio.com](http://www.rcfaudio.com)