

ARTSERIES

ACTIVE SPEAKER

ART 310A MKIII



RCF ART 310-A is an active, wide dispersion 2 way sound reinforcement speaker.

It integrates a digital high power 400 Watt amplifier, a multiway DSP section and premium RCF low distortion, high power transducers. The result is compact, high power accurate systems, unique in there class for clarity and low distortion.

The total amplifier power is 400 watt RMS: a 300 watt digital amplifier design is used to power the low frequencies, the compression driver is powered from 100 watt of digital clear power.

The Dsp takes care of low noise crossover, equalisations, soft-limiters, rms limiters, large signals compression and protection functions.

The input section presents a XLR input connector that is switchable from microphone to line levels. A master volume control and a useful XLR loop through link guarantee the best versatility.

The new 10" woofer is the result of the latest refinement in year of RCF experience in compact 2 way speakers. Features a 2" voice coil, very high efficiency and controlled bass reproduction.

The compression driver uses a new 1.5" Mylar dome design and optimised geometry radial phase plug. This innovative design is powered from a high flux ferrite magnet offering a very open and natural midrange sound with extreme precision in high frequency reproduction.

All the system is housed in a strong, very lightweight, polypropylene composite enclosure. The woofer is protected from a strong, powder coated, metal grille. The cabinet features 2 M10 threaded fly points, a 35 mm stand adaptor plus an ergonomic top handle for easy transportation.

Applications

ART 310-A is the reference speaker in the 10" size. Incredible amplifier power, high quality neodymium transducers, very compact size cabinet. From live sound, playback and monitoring to corporate events and presentations, ART 310-A is the ideal speaker in all the situations where the output of a PA and the size of a studio monitor is required. Superb deep bass punch, very linear and precise frequency response.

Features

- 400 watt Monolithic bi-amplification, 300 watt low frequency and 100 watt high frequency power
- 127 dB max SPL
- Wide dispersion, 90 x 70 low distortion, constant directivity horn
- 10" high power woofer
- 1", high frequency driver
- Electronic equalization, phase alignment, limiter and protection
- Jack XLR input, XLR signal output
- 1 comfortable top handle for easy transportation and positioning
- Two M10 fly points and built in pole mount adaptor

ACOUSTICAL SPECIFICATIONS

Frequency response:	50 - 20 KHz
Max SPL:	127 dB
Coverage angle:	90° x 70°
Directivity Factor; Q (DI):	10.5 (10)
Compression driver:	1", 1.4" v.c.
Woofer:	10" 2.0" v.c.

INPUT SECTION

Input signal (Impedance):	bal/unbal
Input connector:	jack/xlr male
Output signal connector:	xlr female
Input sensitivity:	-2 dBu / +4 dBu

PROCESSOR SECTION

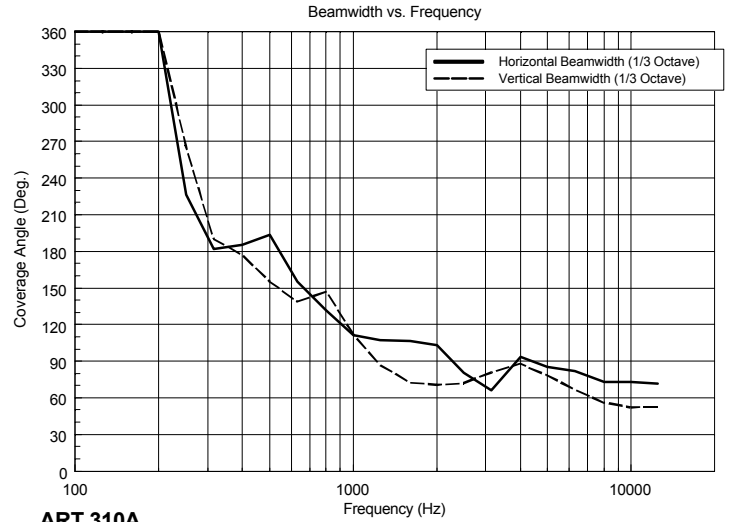
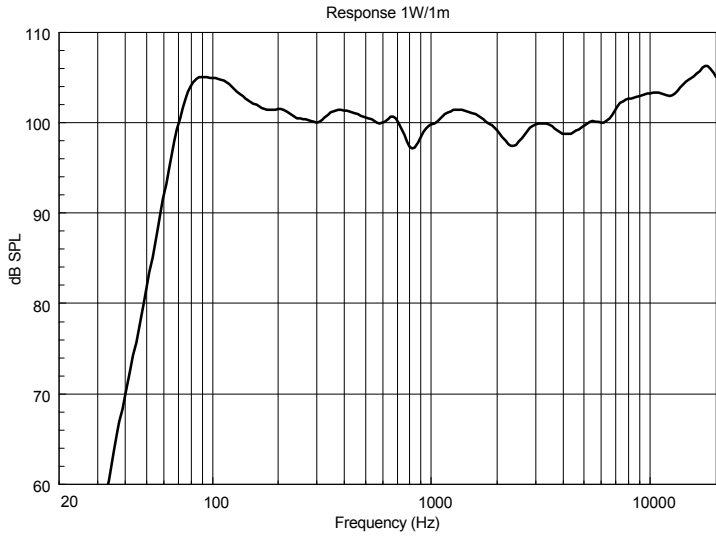
Crossover frequencies:	1800 Hz
Protections:	Thermal, RMS
Limiter:	Fast limiter
Controls:	Volume, EQ Shape, Mic/Line

AMPLIFIER

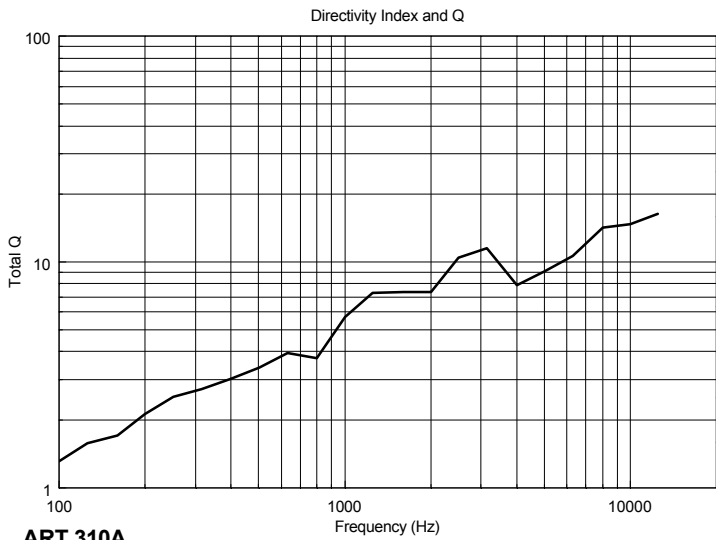
Nominal power:	400 Watt
High frequencies:	100 Watt
Low frequencies:	300 Watt
Cooling:	Convection

PHYSICAL

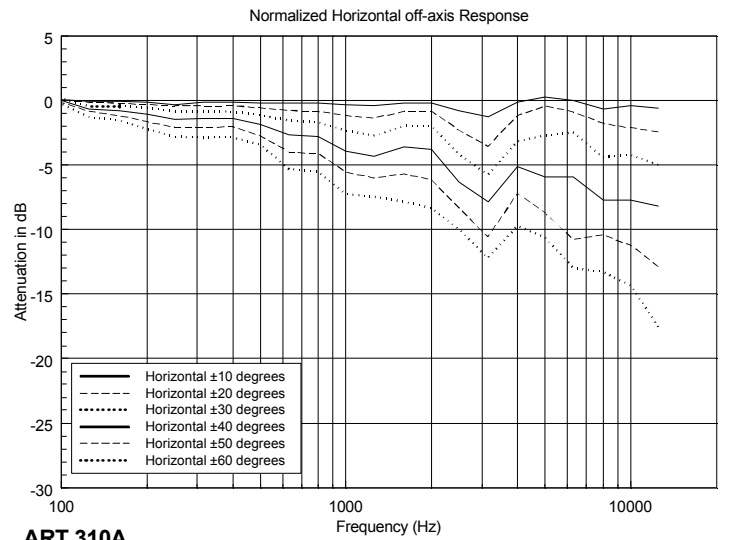
Cabinet:	Composite PP
Dimensions (HxWxD):	21.14" x 13.27" x 12.4" (537x337x315 mm)
Weight:	27.77 lbs. (12,6 kg)
Hardware:	2 M10 flying points
Handles:	1 top
Pole Mount / Cap:	yes
Colour:	Black



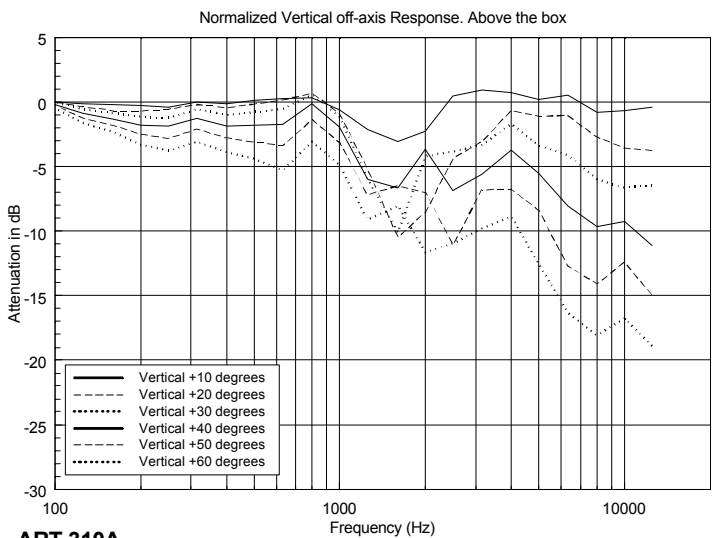
ART 310A



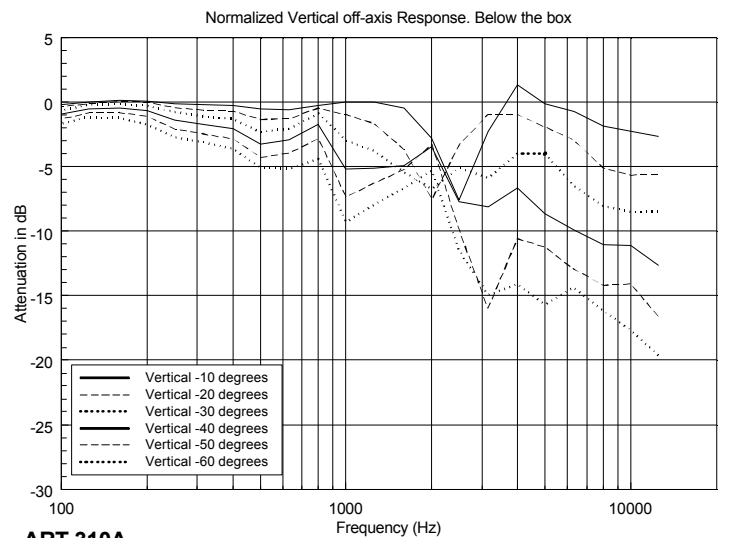
ART 310A



ART 310A



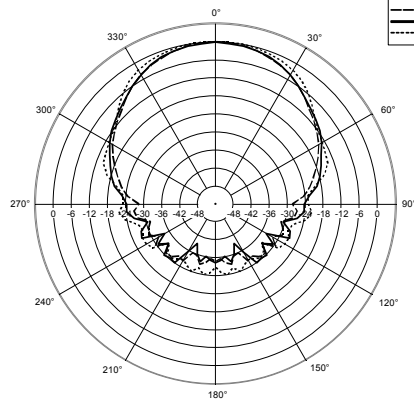
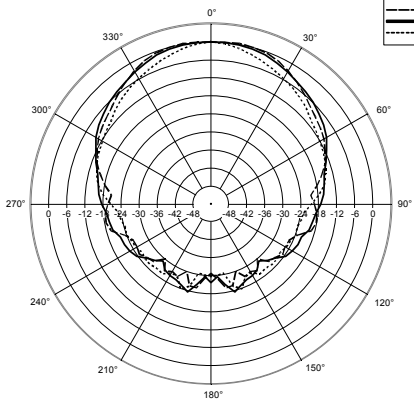
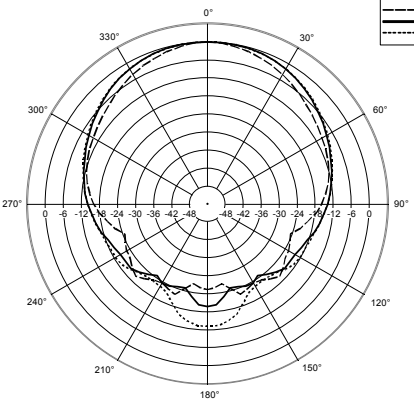
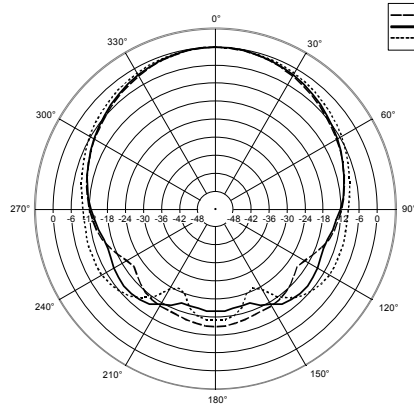
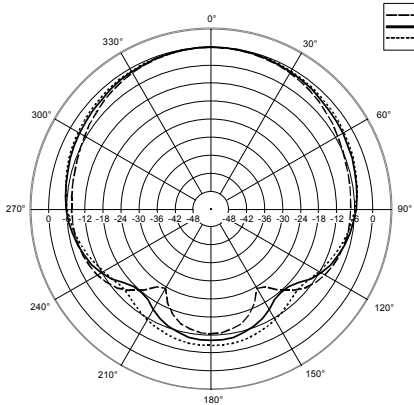
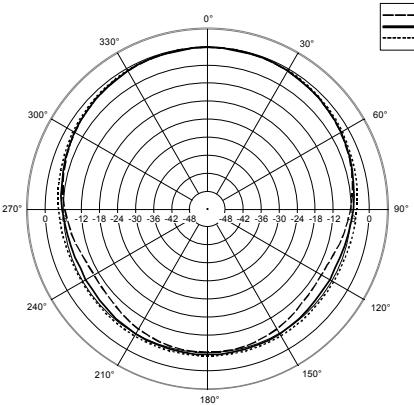
ART 310A



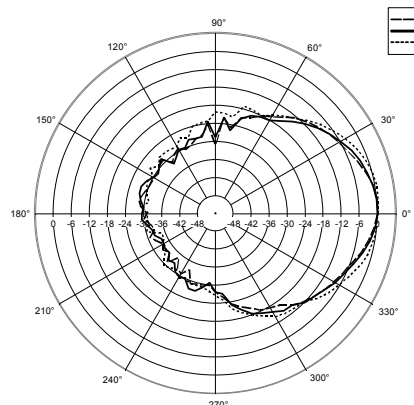
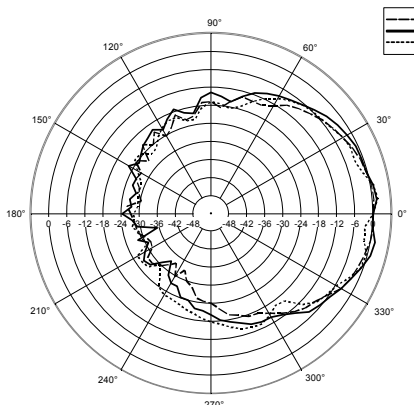
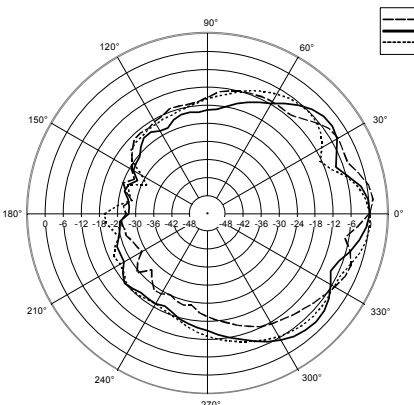
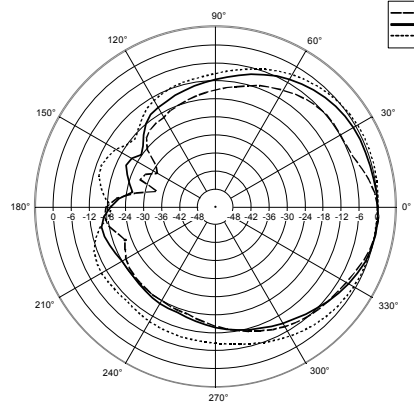
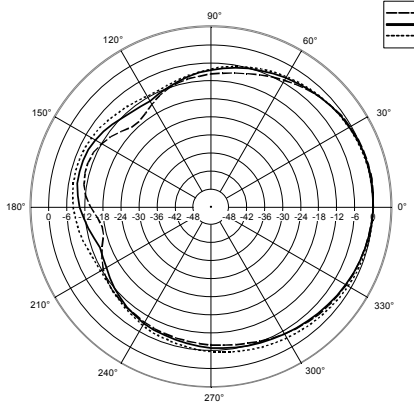
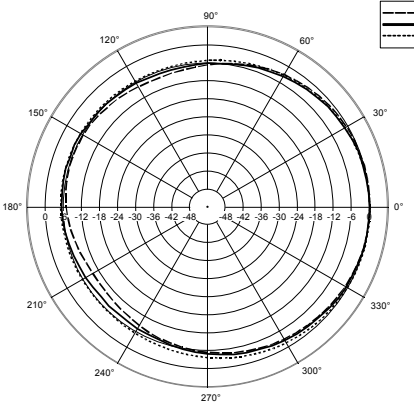
ART 310A



Horizontal 1/3 Polar Plot



Vertical 1/3 Polar Plot



CSI PRODUCT SPECIFICATIONS FOR DESIGNERS, SPECIFIERS, AND CONSULTANTS (ALSO KNOWN AS “A&E SPECIFICATIONS”) The following are “Part 2 Products” CSI-type specifications. It is assumed that “Part 1 General – Administrative and Procedures” and “Part 3 Execution – Installation and Maintenance” are part of an overall audio system or project specification.
PART 2 PRODUCTS

2.01 Approved Manufacturer/Product

A. RCF, Via Raffaello 13, 42010 Mancasale, Reggio Emilia, Italy.

B. Model number: ART 310A

2.02 Design

Configuration	Compact 2 way speaker
LF Sub-section	10" woofer, 2,5" voice coil
HF Sub-section	1"

2.03 Acoustical Proprieties

Nominal dispersion angle:	Horizontal: 90° - Vertical: 70°
Axial frequency range:	50Hz-20kHz

2.04 Physical Properties

Cabinet:	Composite PP
Rigging inserts:	2 M10 fly points and built in pole mount adaptor
Color:	Black
Grille:	Custom perforated steel grille with open-cell poly fiber backing
Input Connectors:	jack/xlr
Dimensions (H x W x D):	21.14" x 13.27" x 12.4" (537x337x315 mm)
Weight:	27.77 lbs. (12,6 kg)

2.05 Accessories

AC S260	Steel speaker floor stand with folding base end telescopic rod, tube Ø 35 mm
AC S140	Alluminium speaker floor stand with folding base end telescopic rod, tube Ø 35 mm
AC ART310 H-BR	Horizontal bracket for ART 310-A and ART 310 speaker models.

