

HD 410-T

ALUMINIUM HORN SPEAKER WITH DRIVER



DESCRIPTION

HD 410/T is a horn loudspeaker with a 50 W driver, suitable for outdoor applications (IP rating: 66).

Its compression driver has a polyimide diaphragm to prevent deformation from heat and improve low frequency response.

It includes a transformer inside for the connection to 100 – 70 V constant voltage lines.

When connected to a 100 V line, its power can be selected among the values 50 W, 30 W, 25 W or 15 W through a rotary switch.

MAIN APPLICATIONS

- Car parks
- Bathing establishments
- Stadiums
- Fun resorts

MAIN FEATURES

- Power: 50 W RMS
- Frequency response: 180 Hz ÷ 7 kHz
- Max. sound pressure level: 130 dB (50 W, 1 m)
- 100V multi-tap transformer included
- Simple power setting through a rotary switch
- Low frequency protection: high-pass filter (6 dB/oct).
- Easy to install

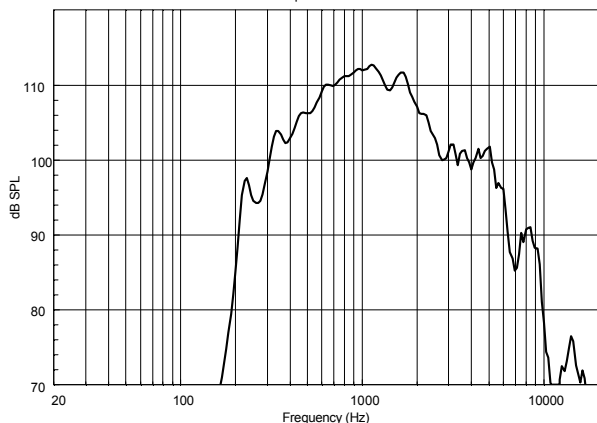
SPECIFICATIONS

Loudspeaker	Round, with driver unit and transformer
Power (on 8 Ohm load)	50 / 75 W (RMS / Music power)
Power	50 W - 30 W - 25 W - 15 W (100V)
Sensitivity	112 dB (1 W / 1 m)
Mx. SPL	130 dB(A) (1 m / POWER MAX)
Frequency Response	180 Hz – 7 kHz
Angle of coverage	90°
Connector	2 conductor cable
Body colour	Grey RAL 7035
Main body material	Aluminium
Connection cable length	1 meter
Dimensiones	Ø 410 mm x 385 mm
Installation	"U" Bracket stainless steel
Max wall distance	42 mm
Net weight	4.1 kg
Operating temperature	-25° to +55°
Relative humidity	90% non condensing

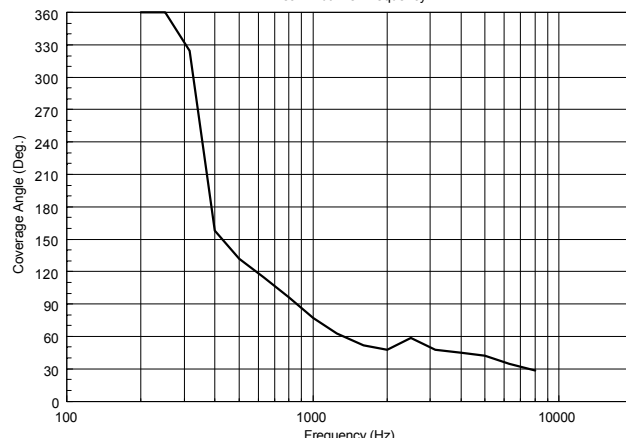


HD 410-T

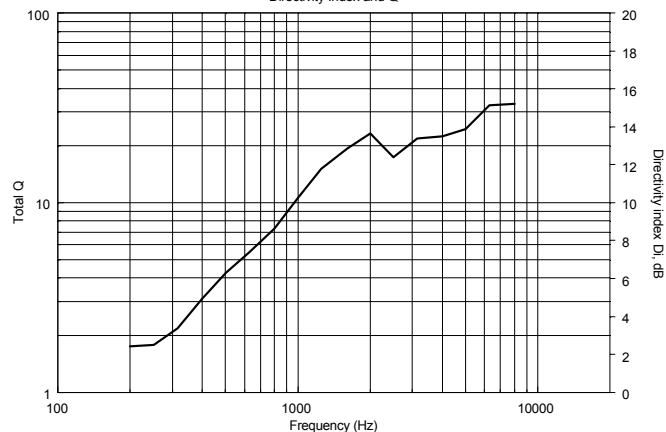
Response 1W/1m



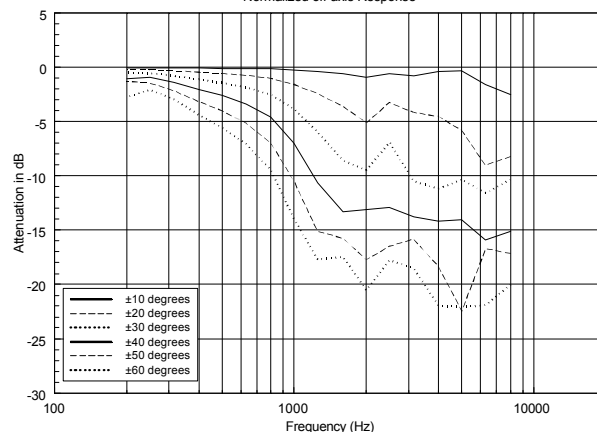
Beamwidth vs. Frequency



Directivity Index and Q



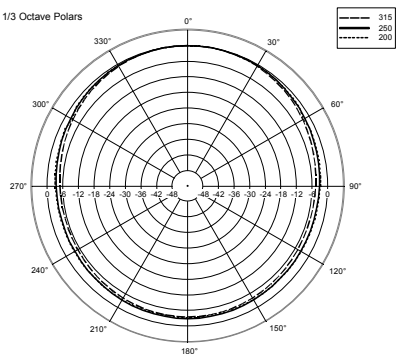
Normalized off-axis Response



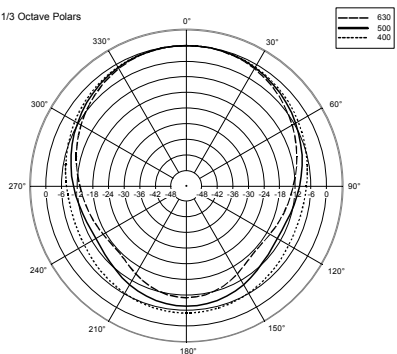
HD 410-T

HORIZONTAL 1/3 POLAR PLOT

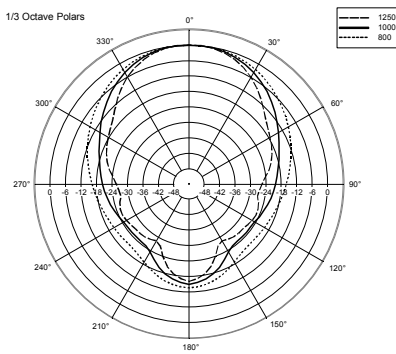
1/3 Octave Polars



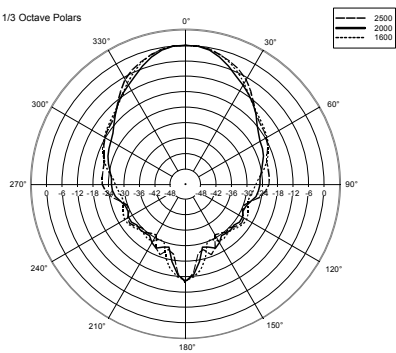
1/3 Octave Polars



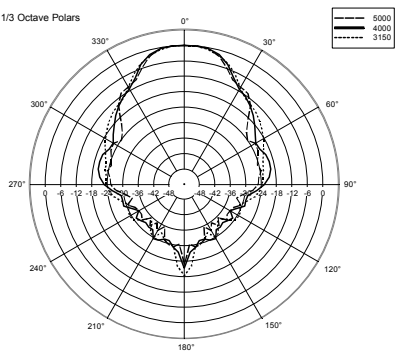
1/3 Octave Polars



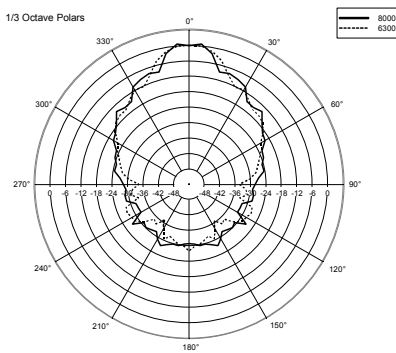
1/3 Octave Polars



1/3 Octave Polars



1/3 Octave Polars

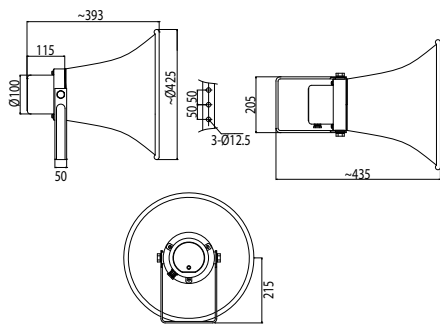


HD 410-T

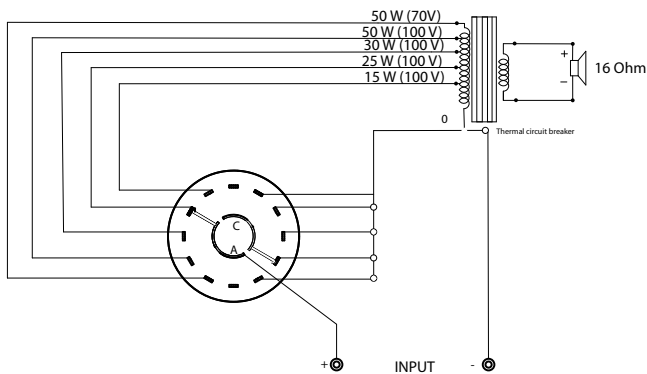
PART NUMBERS

13133041

DIMENSIONS (All data are in mm)



SCHEMATICS



INSTALLATION NOTES

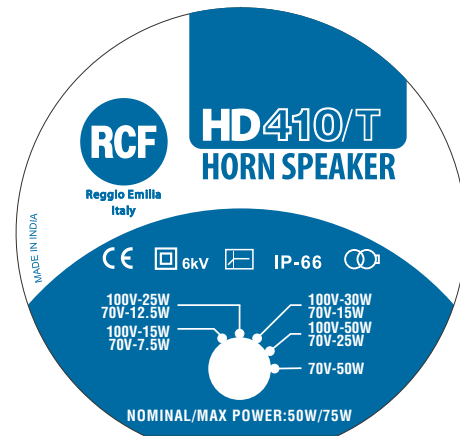
HD 410-T installation is quick thanks to its 'U' bracket, which can be fixed to the wall / ceiling through the holes on its base. The horn loudspeaker can be aimed to any direction.

The mounting bracket, the bracket holder and the horn flare are made of aluminium and screws, bolts and nuts are made of stainless steel.

The rear cover is made of high density UV resistant self-extinguishing polystyrene.

POWER SELECTION

Set the rotary switch to selected the chosen power value referring to either the 100 V or 70 V line.



CERTIFICATIONS AND APPROVALS

- CE: it complies with European Community 73/23/EEC and 93768/EEC
- Self-extinguishing plastic according to UL 94V0
- IP rating: 66
- Speaker data according to IEC 268-5
- Electronic apparatus safety requirements according to IEC EN 60065:2002

ACCESSORIES (included)

- U Bracket stainless steel