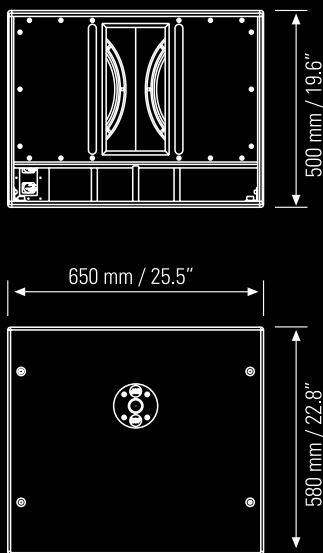


S4022

BAND-PASS SUBWOOFER p/n. 130.00.082

The S4022 is a compact, high-output band-pass subwoofer. The system is equipped with two advanced 12" RCF precision woofers mounted in a clam-shell internal chamber. The two transducers couple to achieve tight and maximised output. Each 12" features massive ceramic magnets and 3" copper voice coil. The system is able of producing a Max SPL of 131 dB and handles 800 Watts AES.

The loudspeaker enclosure shape is rectangular and the cabinet is constructed of multi-ply baltic birch plywood and finished in a very resistant, textured, polyurethane black paint. It features a pole-mount receptacle, rubber feet, 2 x recessed handles and 8 x M10 mounting point plus extensive internal bracing for flown applications. The front steel grille is epoxy powder coated.



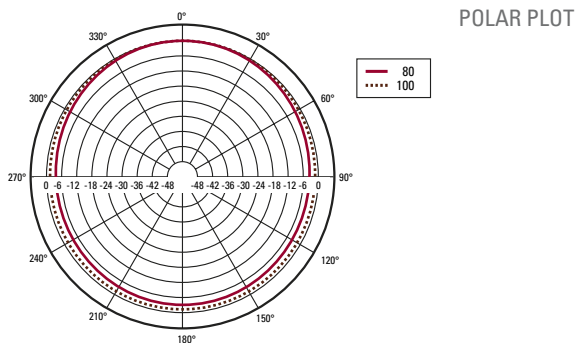
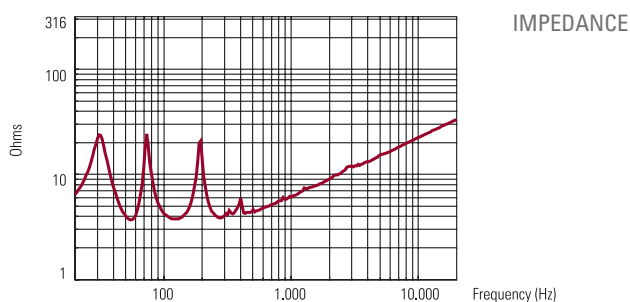
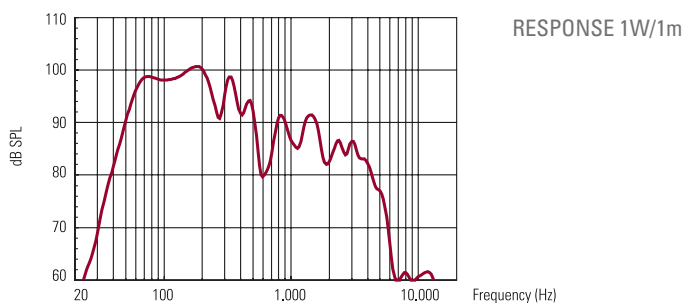
FEATURES

- Compact, arrayable, 2 x 12" bandpass subwoofer system
- 131 dB max SPL, 800 Watt AES
- Equipped with RCF high power 2 x 12", 3" voice coil woofers
- Extensive internal bracing, 8 x M10 mounting points
- Recessed handles
- Epoxy powder coated front grille
- Dedicated to permanent installation

APPLICATIONS

- Low Frequency Enhancement
- Music Enhancement
- Special Effects Reinforcement
- Entertainment Systems
- Live Music Reinforcement
- Small to Large Club Sound Systems
- Infill Sub Bass Enhancement

SUBWOOFER SERIES



CSI PRODUCT SPECIFICATIONS FOR DESIGNERS, SPECIFIERS, AND CONSULTANTS (ALSO KNOWN AS "A&E SPECIFICATIONS")

The following are "Part 2 Products" CSI-type specifications. It is assumed that "Part 1 General – Administrative and Procedures" and "Part 3 Execution – Installation and Maintenance" are part of an overall audio system or project specification.

PART 2 PRODUCTS

2.01 Approved Manufacturer/Product

A. RCF, Via Raffaello 13, 42124, Reggio Emilia, Italy. - B. Model number: S4022

2.02 Design

Configuration Bandpass subwoofer. LF Sub-section 2 X 12" woofer, 3" voice coil.

2.03 Acoustical Properties

Axial frequency range: 40 Hz - 200 Hz - Axial sensitivity: 97 dB, 1W @ 1m - Power handling: Applicable power 800 W RMS. Musical power 1600W - Peak power 2400 W - Nominal impedance: 4 Ohm.

2.04 Physical Properties

Enclosure: Rectangle, 15 mm birch plywood construction - Rigging inserts: 8 X M10 Mounting Points, 2x Recessed Handles. Color: Black, scratch resistant paint - Grille: Custom perforated steel grille. Input Connectors: 2 X Speakon® NL4 - Dimensions (H x W x D): 19.68" x 25.59" x 22.83" - 500 x 650 x 580 mm Weight: 83.77 lb - 38 Kg.

SYSTEM

FREQ. RANGE	40 Hz - 200 Hz
SYSTEM SENSITIVITY:	97 dB, 1W @ 1m ⁽¹⁾
RATED MAXIMUM SPL:	131 dB, @ 1m
SYSTEM NOMINAL IMPEDANCE:	4 Ohm
SYSTEM INPUT POWER RATING RMS:	800 W ⁽²⁾
SYSTEM INPUT POWER RATING PEAK:	2400 W
RECOMMENDED AMPLIFIER:	1600 W ⁽³⁾

TRANSDUCERS

LOW FREQUENCY:	2x12" (304.8 mm) woofer with 3" (76 mm) in/out voicecoil
NOMINAL IMPEDANCE:	8 Ohm
PROGRAM POWER:	800 W
POWER HANDLING CAPACITY:	400 W
SENSITIVITY:	97 dB, 1W @ 1m

PHYSICAL

ENCLOSURE:	Rectangle, 15 mm birch plywood construction
RIGGING INSERTS:	Pole mount
COLOR:	Black, scratch resistant paint
GRILLE:	Custom perforated steel grille
INPUT CONNECTORS:	2 x Speakon® NL4
DIMENSIONS (H x W x D):	19.68" x 25.59" x 22.83" 500 x 650 x 580 mm
WEIGHT:	83.77 lb - 38 Kg

¹⁾ Measured on axis in the far field with 1 watt (2.83V RMS, 8 Ohm) input and referenced to 1 meter distance using the inverse square law. Listed sound pressure represents an average from 40 Hz to 200 Hz.

²⁾ AES standard

³⁾ Recommended Amplifier is a power capability value that should be taken as a guide.