

DP 4EN

UNIDIRECTIONAL SOUND PROJECTOR

DESCRIPTION

DP 4EN is a 10 W sound projector in compliance with EN 54-24:2008. It is elegant and suitable for sound distribution in very large and noisy environments (e.g. railway stations, underground, car parks, factories, warehouses, shopping centres, etc.). It has a cylindrical plastic body with a U-bracket support for the installation and includes: - a dual cone loudspeaker (externally protected by a grille). - a transformer for 100 V (/ 70 V) constant voltage lines, with the possibility to set the power during the installation. It has a ceramic terminal strip (inside its rear panel) to connect in / out cables. Its thermal fuse prevents damages to the audio line due to excessive speaker heat. SPECIFICATIONS
Input: 100



FEATURES

- 4" full range speaker for alarm voice messages broadcasting and high quality background music
- ABS cabinet with aluminum grille.
- It can be installed both indoors and outdoors (IP 55 protection grade).
- Equipped with transformer for 100 V (/ 70 V) constant voltage lines.
- Internal power setting.
- Ceramic terminal strip for connection
- Internal thermal fuse.
- Color: Grey RAL 7035

TECHNICAL SPECIFICATIONS

Acoustical specifications	Frequency Response (-10dB):	180 Hz ÷ 16000 Hz
	Max SPL @ 1m:	101 dB
	Max SPL @ 4m:	89 dB
	Coverage angle:	180°
	System Sensitivity:	91 dB
	System Sensitivity 1W @ 4m:	79 dB
Power section	Power Handling:	10 W RMS
	Peak Power Handling:	40 W PEAK
	Recommended Amplifier:	20 W
	Protections:	Thermal fuse
Transducers	Fullrange:	4.0"
Input/Output section	Input connectors:	Ceramic screw terminals
	Output connectors:	Ceramic screw terminals
	Constant Voltage Transformer:	100 V
	Power selection 1 (100 V):	10 W - 1000 ohm
	Power selection 2 (100 V):	5 W - 2000 ohm
	Power selection 3 (100 V):	2.5 W - 4000 ohm
Standard compliance	IP protection grade:	IP 55
	EN54-24 certified:	Yes
	CE marking:	Yes
	CPR number:	0068-CPR-085/2017
Physical specifications	Cabinet/Case Material:	ABS
	Grille:	Aluminium
	Color:	Grey - RAL 7035
Size	Depth:	200 mm / 7.87 inches
	Diameter:	137 mm / 5.39 inches
	Weight:	1.3 kg / 2.87 lbs
Shipping informations	Package Height:	290 mm / 11.42 inches
	Package Width:	190 mm / 7.48 inches
	Package Depth:	160 mm / 6.3 inches
	Package Weight:	1.3 kg / 2.87 lbs

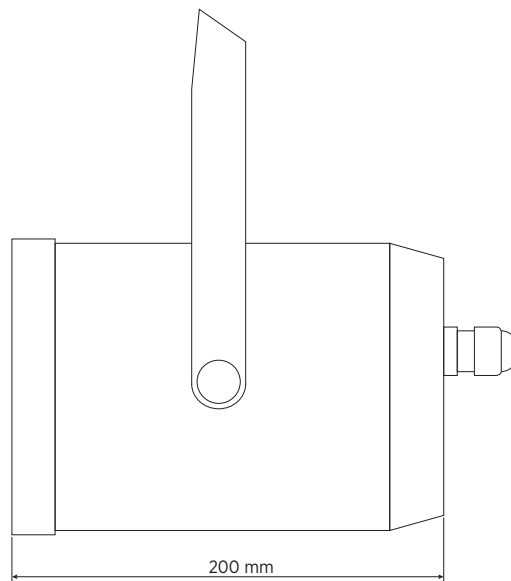
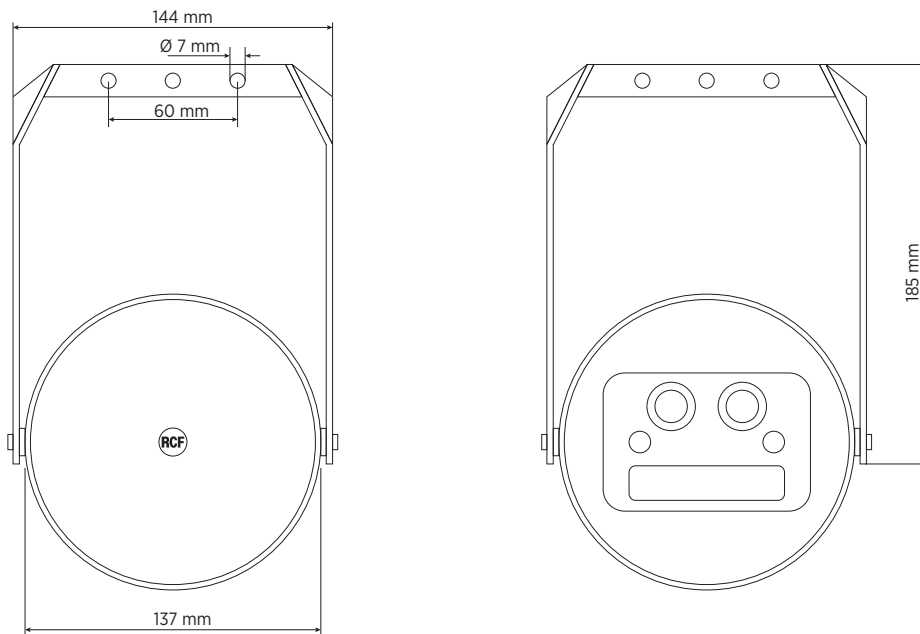
PART NUMBER

- **13100021**

DP 4EN

EAN 8024530014766

DRAWINGS



SCHEMATICS

