

ND950 2.0

DRIVER

DESCRIPTION

The ND950 2.0 is a ultra compact size, high performance, high power handling 4.0-inch diaphragm compression driver with a 2.0 inch exit throat. The high power neodymium magnet guarantee the perfect control of the dome assembly's moving mass. This leads to higher efficiency, better transient response and diminishes high frequency distortion modes. A thin copper ring is precision pressed on to the pole piece in order to modify and lower the inductance characteristics of the magnetic circuit and voice coil providing a controlled extension of the acoustic frequency response. The ND950 2.0 features a .05 mm thick pure titanium in combination with a high strength Mylar suspension. The voice coil assembly is designed using a high strength, high temperature Kapton® voice coil former and edge wound copper clad aluminium wire. The ND950 2.0 features a 4-slot, optimised geometry, phase plug design. Extended computer assisted mathematical modelling and testing has resulted in a geometry that provides a balanced acoustic performance controlling and lowering air distortion and maximizing output.

FEATURES

- 4.0 inch, Kapton former, edge wound aluminium voice coil
- 280W continuous program power handling
- Frequency range: 500Hz - 20kHz
- 4-slot optimized geometry phase plug
- Titanium dome, Polyimide surround
- Copper inductance ring for extended response
- The minimum size 4" driver available



TECHNICAL SPECIFICATIONS

General specifications

Exit Throat Diameter:	2.0 inch / 51 mm
Related Impedance:	8 ohm
Program Power (watt):	280 W
Power handling capacity (watt):	140 W
Sensitivity:	110 dB
Frequency range:	500 - 20000 Hz
Diaphragm Material:	Pure Titanium
Suspension Material:	Polymide
Suspension Design:	Flat
Minimum Impedance (ohm):	8.50 ohm
Voice Coil Diameter:	4.0 inch / 102 mm
Voice Coil Material:	Edgewound Aluminium
Voice Coil Former Design:	Direct Drive Kapton
Number of layers:	1
Kind of layers:	outside
Flux Density:	2.0 T
Phase Plug Design:	4 slot
Phase Plug Material:	Aluminium
Magnetics:	Neodymium
Voice Coil Demodulation Ring	Copper

Thiele - small parameters

BI factor (BI) (T x m):	17.60 T x m
-------------------------	-------------

Mounting informations

Overall diameter:	146 mm / 5.75 inches
Overall height:	97 mm / 3.82 inches
Mounting:	4 x 6 mm threaded holes at 90°

Standard compliance

CE marking:	Yes
-------------	-----

Size

Weight:	3.82 kg / 8.42 lbs
---------	--------------------

Shipping informations

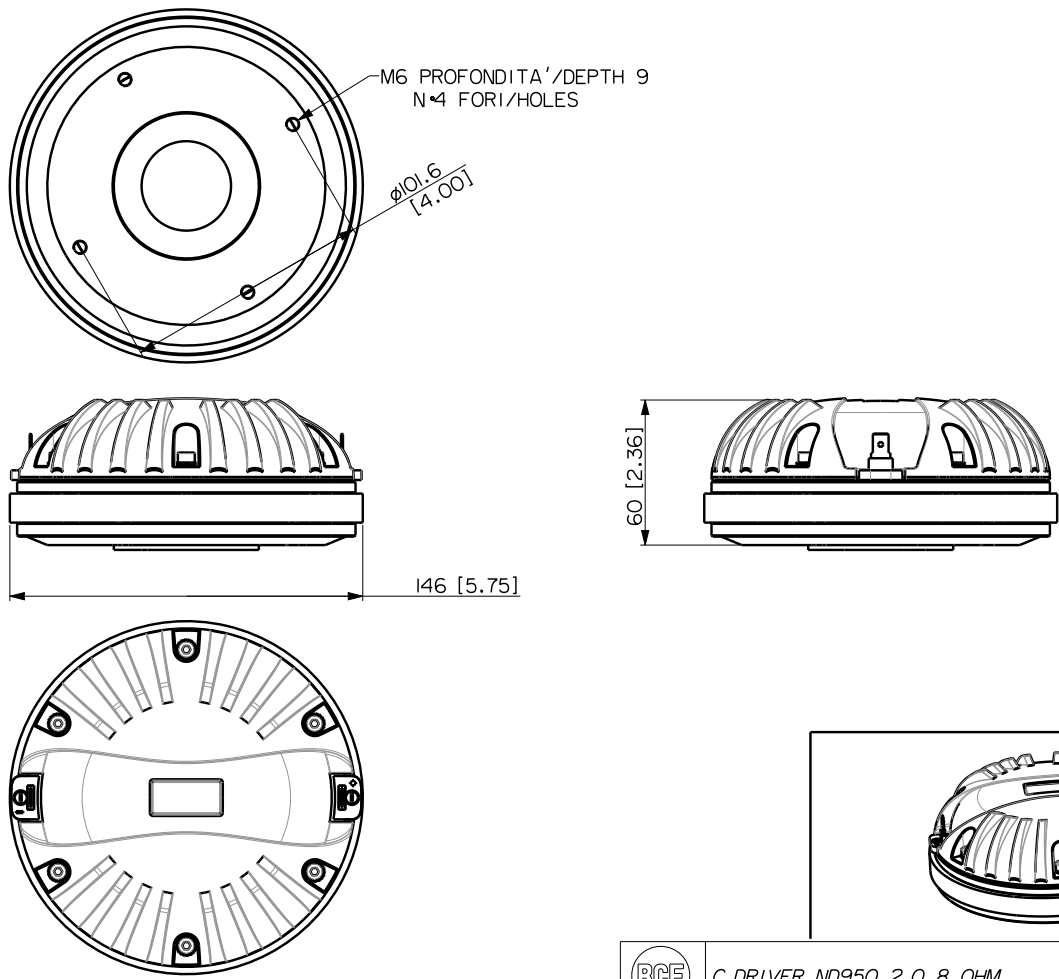
Package Height:	125 mm / 4.92 inches
Package Width:	195 mm / 7.68 inches
Package Depth:	170 mm / 6.69 inches
Package Weight:	4.02 kg / 8.86 lbs

PART NUMBER

- **15129040**

ND950 2.0

8ohm



C.DRIVER ND950 2.0 8 OHM

REV.
A

