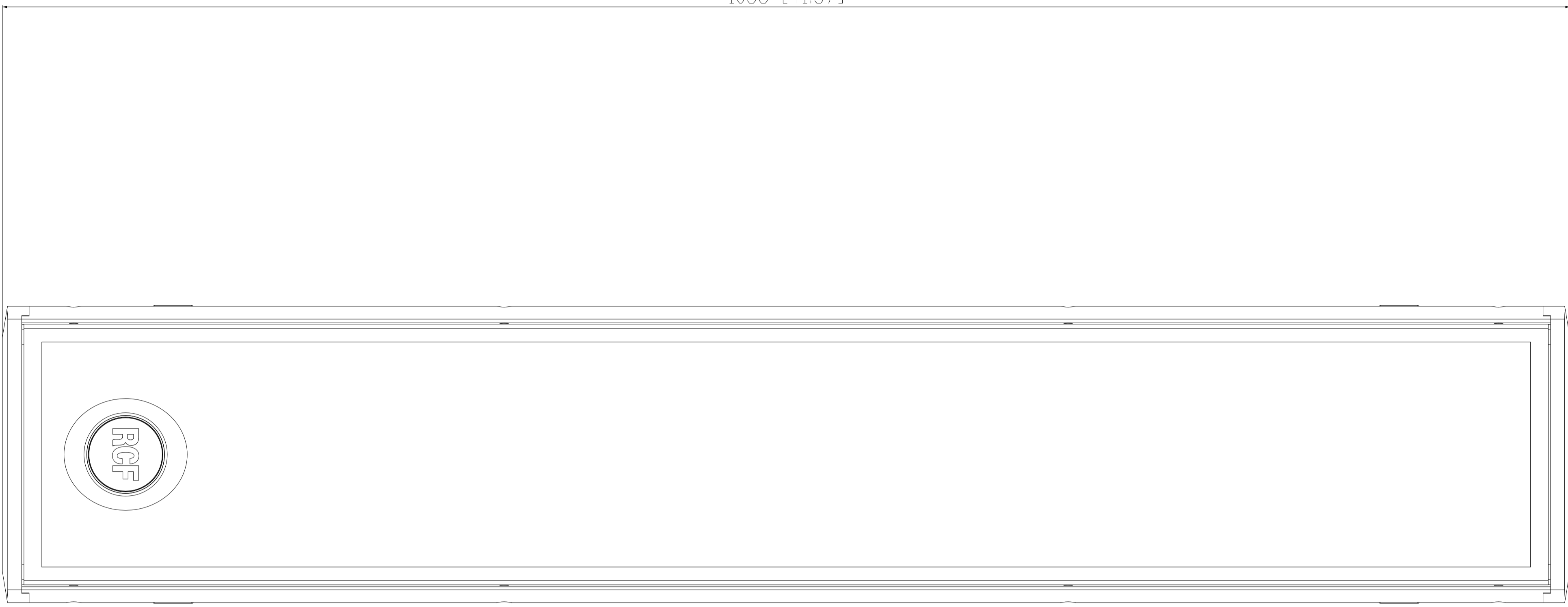
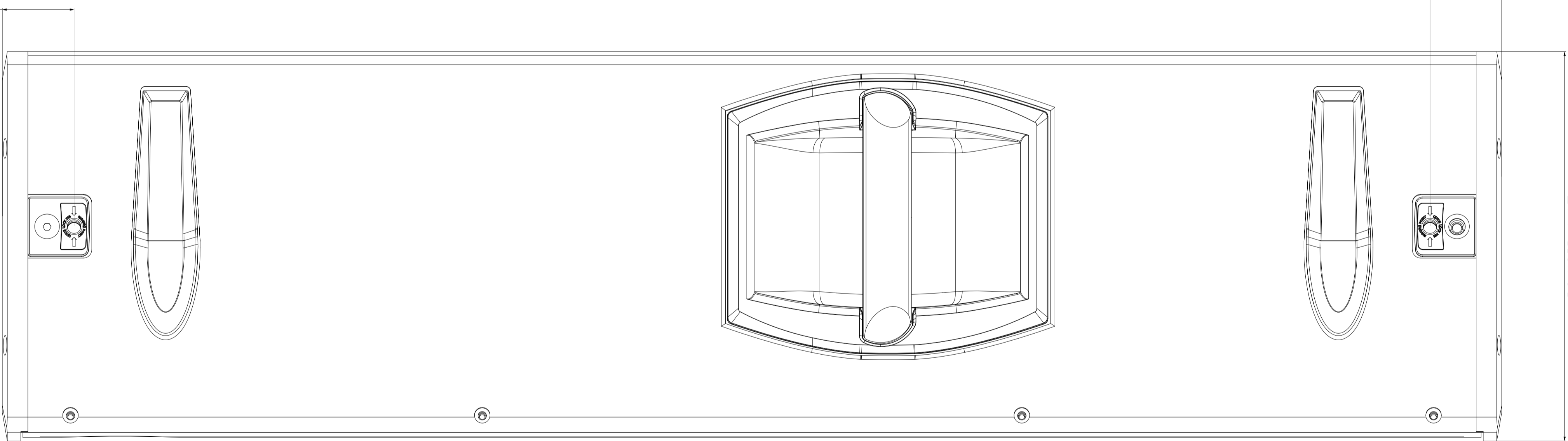


1056 [41.57]

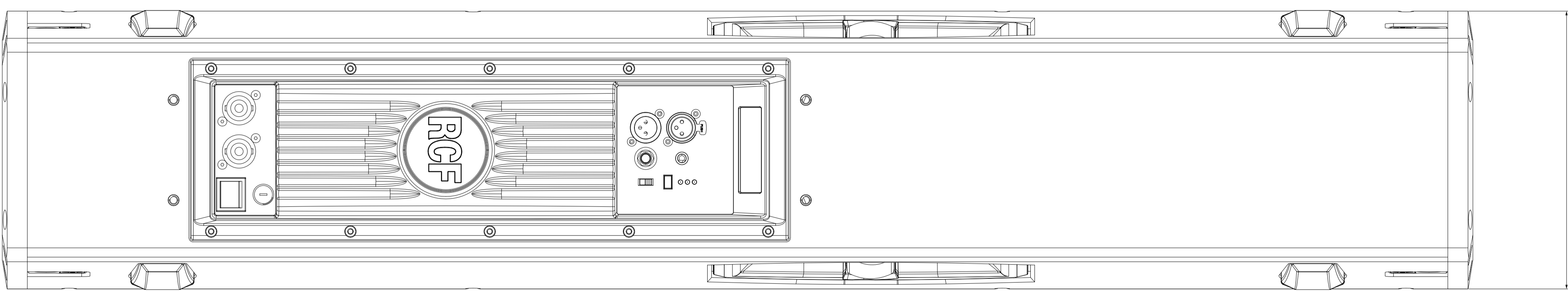


50.5 [1.99]

50.5 [1.99]



274 [10.79]



1996 [78.6]

147 [5.79]

