

KRT-WH 4X TTL 33

KART WITH WHEELS

DESCRIPTION

The heavy duty RCF TTL33-A Kart can be used to easily transport up to 4 TTL33-A cabinets. The cabinets and Kart are fully compatible and it is possible to easily transport TTL33-A cabinets in straight or splayed configurations. It is possible to transport 4 TTL33-A modules with the fly-bar connected, making sure that the total system centre of gravity is properly in centre of the kart.



FEATURES

- TT+ approved original accessory
- Strong construction
- Transport of up to 4 TTL33-A modules
- Safe lock of the modules on the bottom
- Equipped with 4 high quality wheels with brakes
- Painted with black, scratch resistant, paint

**TECHNICAL SPECIFICATIONS**

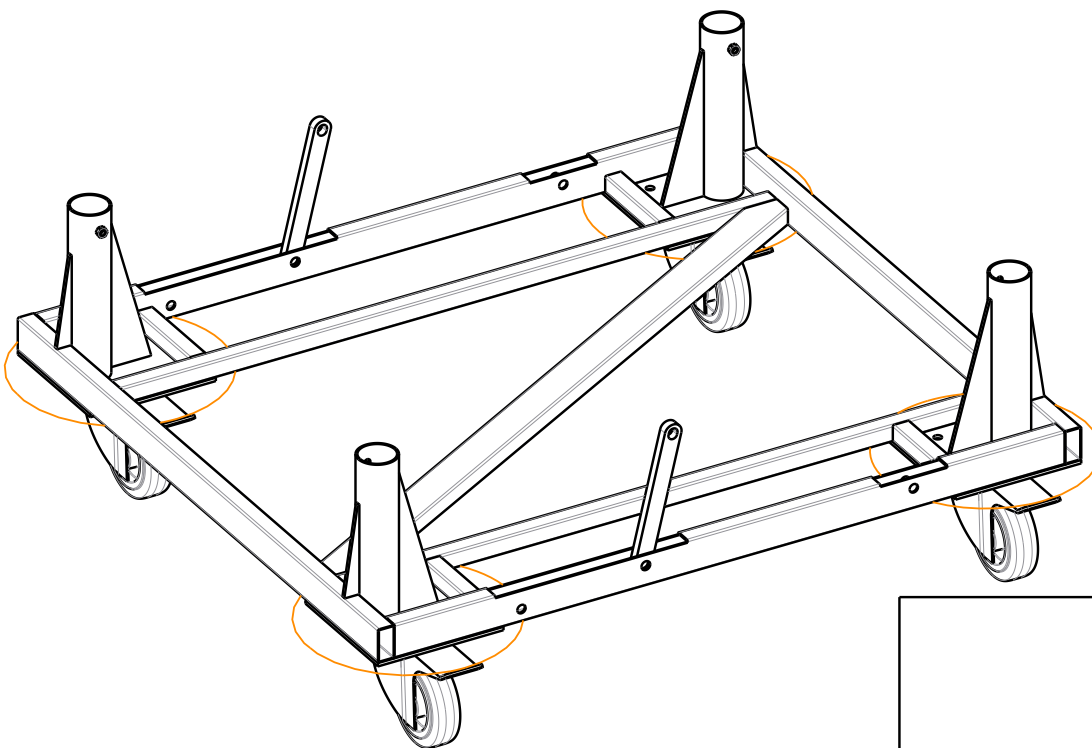
General specifications	Scratch Resistant	Yes
	Number of cabinets Transported	4
Standard compliance	CE marking:	Yes
Physical specifications	Color:	Black
Size	Weight:	24 kg / 52.91 lbs
Shipping informations	Package Height:	225 mm / 8.86 inches
	Package Width:	940 mm / 37.01 inches
	Package Depth:	770 mm / 30.31 inches
	Package Weight:	34 kg / 74.96 lbs

PART NUMBER

- **13360059**

KRT-WH 4X TTL 33

EAN 8024530015305



1:5



KART WITH WHEELS FOR 4 TTL33

REV.

VISTA 3D / 3D VIEW