

TX 2006

UHF WIRELESS MICROPHONE - DIVERSITY SYSTEM

DESCRIPTION

The UHF wireless microphone 2000 series has 16 individual channels. The channels are selected manually at the transmitter and receiver. The system can work with up to 6 channels at the same time.

Thanks to the "diversity" circuit in the RX 2006 receiver, it automatically selects the highest-level radio signal that is received from one of the two antennas. This secure that the system gives better reliability and signal cover with less risks of interruptions and interferences. The Squelch control allows you to eliminate eventual undesired radio signal that could be received from the receiver.

TX 2006 kit consists of: a RX 2006 receiver (with AC / DC adapter and a 1.5 m cable with 1/4" jack plugs) a TX 2000 transmitter / handheld dynamic microphone Rack ears to mount a pair of RX 2006 receivers into an unit of a 19" rack cabinet.



FEATURES

- Diversity circuit
- 16 different frequencies
- 2 antennas
- Power supply adapter included

TECHNICAL SPECIFICATIONS

Microphone specifications	Type:	Handheld wireless microphone
	Frequency Response (-3dB):	50 Hz ÷ 50 kHz
	Signal / Noise ratio @1kHz:	90.00 dB
	Total harmonic distortion @1 kHz:	1.00%
	Banda:	UHF, 638 MHz ÷ 662 MHz

Power requirement	Operating voltage:	12.00V ~ Hz
--------------------------	--------------------	-------------

Connections	Connectors:	JACK
--------------------	-------------	------

Standard compliance	CE marking:	Yes
----------------------------	-------------	-----

Physical specifications	Color:	Black
--------------------------------	--------	-------

Size	Height:	44 mm / 1.73 inches
	Width:	201 mm / 7.91 inches
	Depth:	130 mm / 5.12 inches
	Weight:	1 kg / 2.2 lbs

Shipping informations	Package Height:	60 mm / 2.36 inches
	Package Width:	270 mm / 10.63 inches
	Package Depth:	390 mm / 15.35 inches
	Package Weight:	1.45 kg / 3.2 lbs

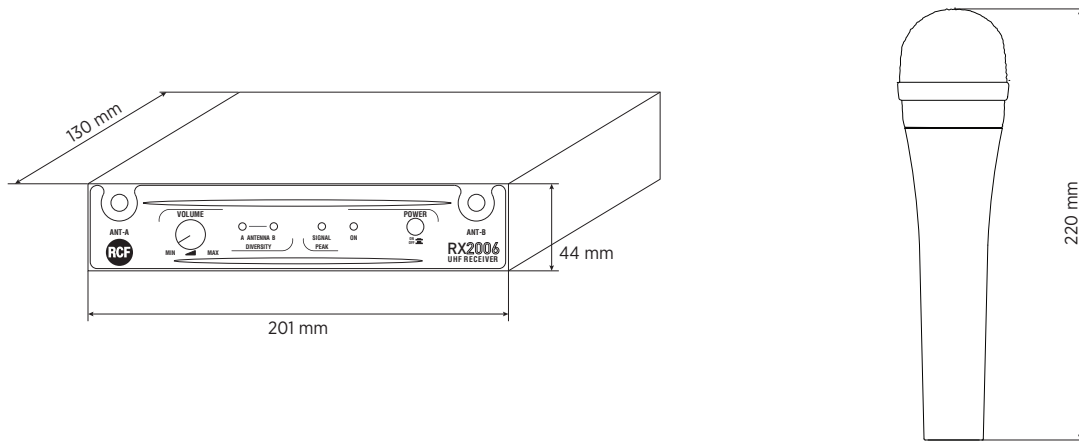
PART NUMBER

- **14250007**

TX 2006

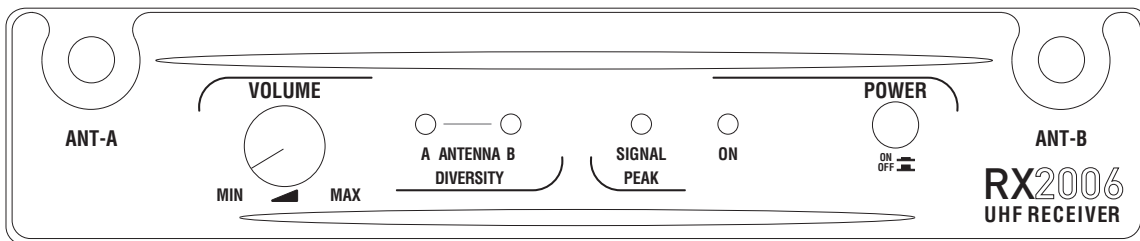
EAN 8024530006969

DRAWINGS



PANELS

Front panel



Rear panel

