

HD 31EN

PLASTIC HORN SPEAKER

DESCRIPTION

HD 31EN is a plastic horn speaker suitable for broadcasting alarm messages thanks to the highly intelligible sound reproduction and its environmental resistance. The terminal connection blocks, for input and output flameproof cables, are made of ceramic material. A thermal fuse protects the integrity of the line in case of heat affecting the speaker. It can be easily aimed towards any direction through the adjustable wall-mount bracket, and thanks to its IP66 protection grade it can be installed both indoor and outdoor.



FEATURES

- 1.5" compression driver.
- Power selectable (100 V): 30 W – 15 W – 7.5 W – 3.75 W.
- 98 dB sensitivity.
- Colour grey RAL 7035.
- Plastic body.
- In/out ceramic terminal block.
- Thermal fuse protection.
- Protection grade IP66.

TECHNICAL SPECIFICATIONS

Acoustical specifications	Frequency Response (-10dB):	410 Hz ÷ 10000 Hz
	Max SPL @ 1m:	115 dB
	Max SPL @ 4m:	103 dB
	Coverage angle:	95°
	System Sensitivity:	98 dB
	System Sensitivity 1W @ 4m:	86 dB
Power section	Power Handling:	30 W RMS
	Peak Power Handling:	120 W PEAK
	Recommended Amplifier:	60 W
	Protections:	Thermal fuse
Transducers	Compression Driver:	1 x 1.5"
Input/Output section	Input connectors:	Ceramic screw terminals
	Output connectors:	Ceramic screw terminals
	Constant Voltage Transformer:	70/100 V
	Power selection 1 (100 V):	30 W - 333 ohm
	Power selection 2 (100 V):	15 W - 667 ohm
	Power selection 3 (100 V):	7.5 W - 1333 ohm
Standard compliance	Power selection 4 (100 V):	3.75 W - 2667 ohm
	IP protection grade:	IP 66
	EN54-24 certified:	Yes
	CE marking:	Yes
Physical specifications	CPR number:	1488-CPR-0584/W
	Cabinet/Case Material:	ABS
	Hardware:	Stainless steel bracket
Size	Color:	Grey - RAL 7035
	Depth:	325 mm / 12.8 inches
	Diameter:	233 mm / 9.17 inches
Shipping informations	Weight:	2.01 kg / 4.43 lbs
	Package Height:	326 mm / 12.83 inches
	Package Width:	234 mm / 9.21 inches
	Package Depth:	234 mm / 9.21 inches
	Package Weight:	2.51 kg / 5.53 lbs



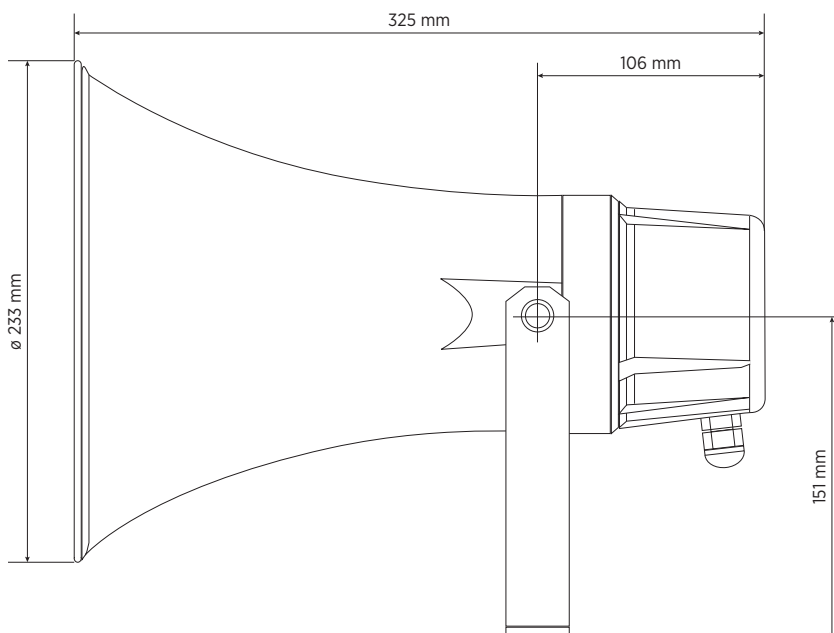
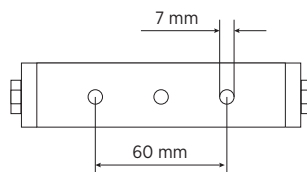
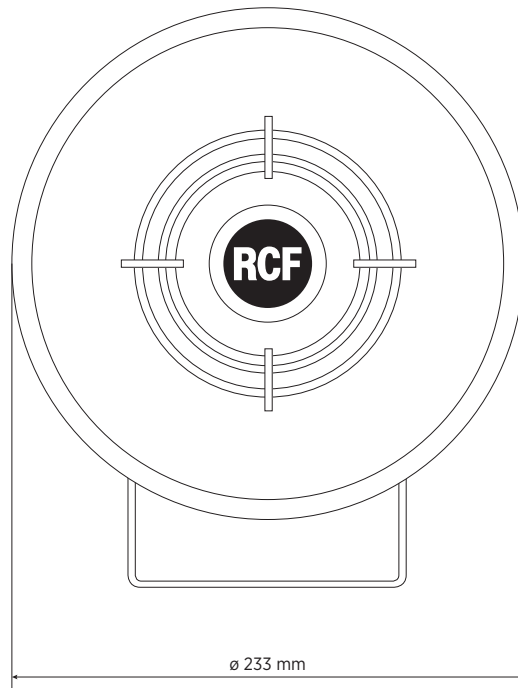
PART NUMBER

- **13100004**

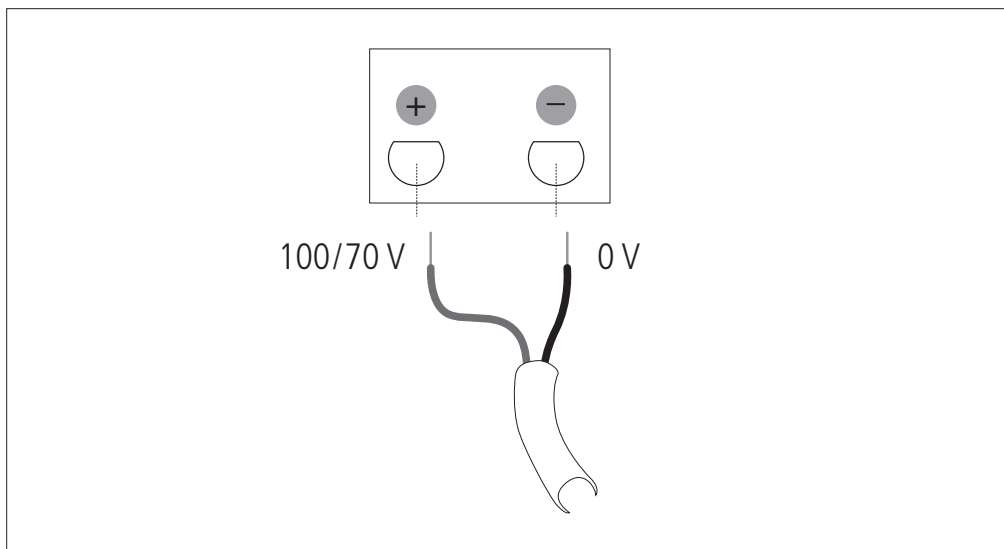
HD 31EN

EAN 8024530013691

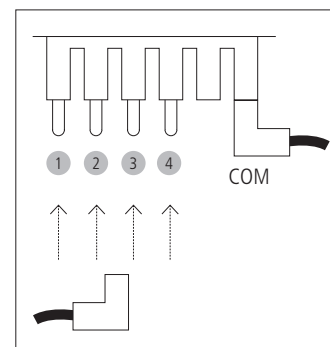
DRAWINGS

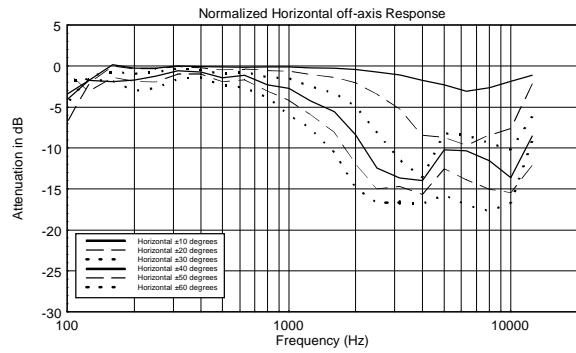
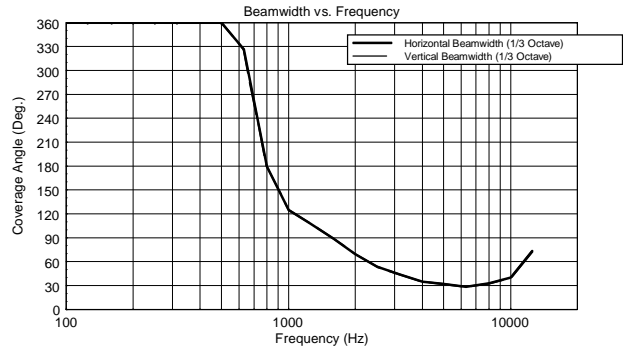
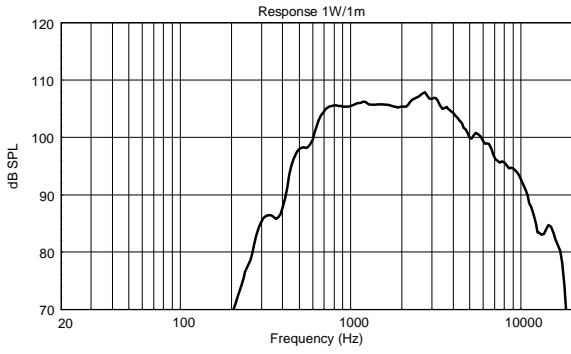


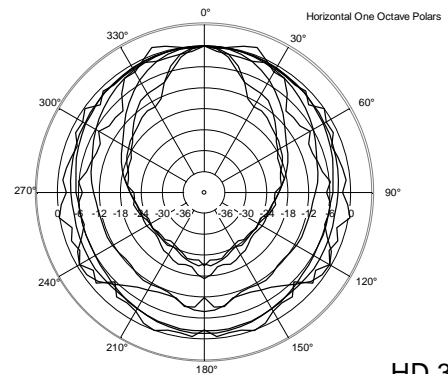
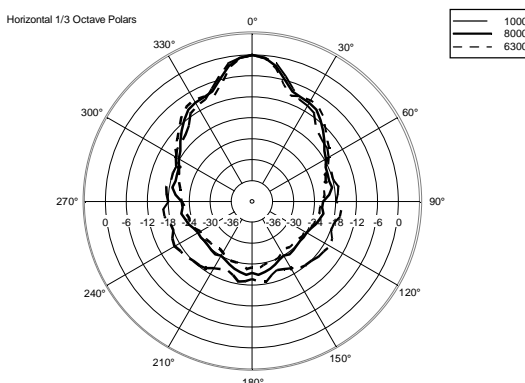
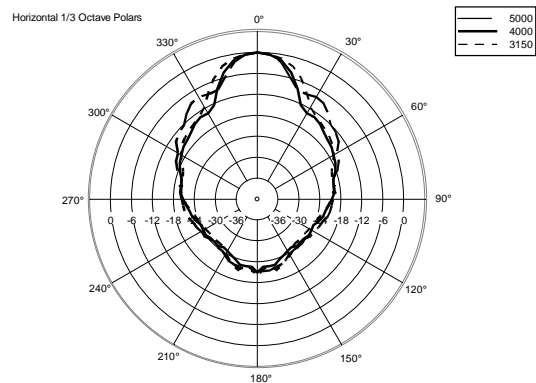
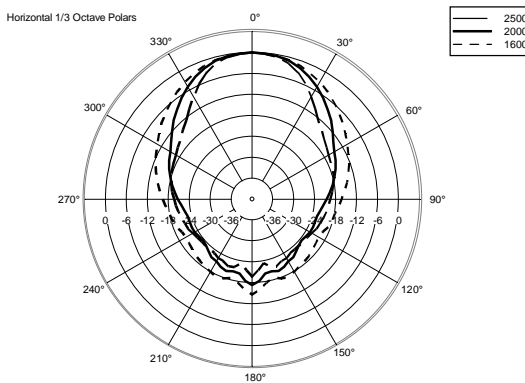
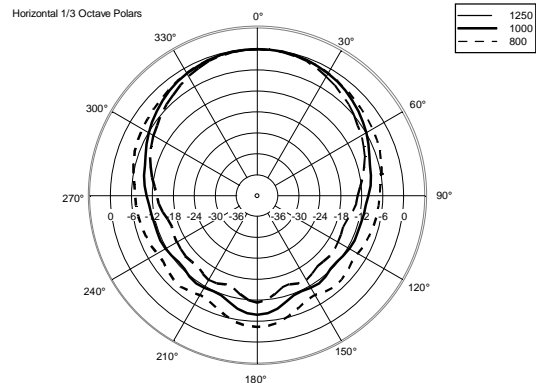
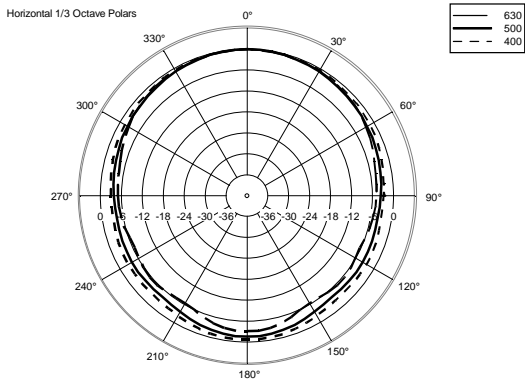
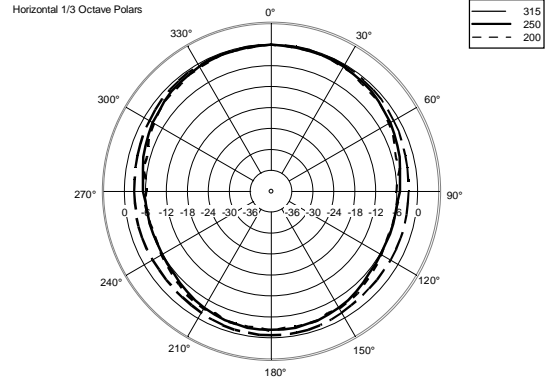
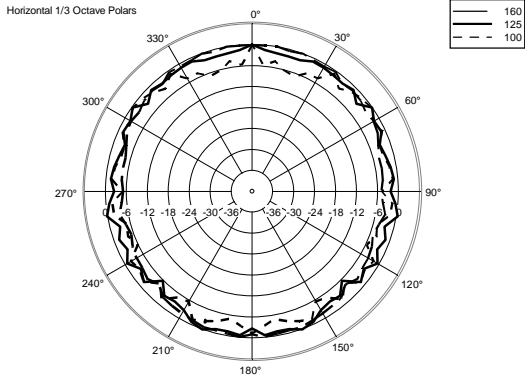
SCHEMATICS



TAPS	POWER (100 V)	POWER (70 V)
1	7.5 W	3.75 W
2	15 W	7.5 W
3	30 W	15 W
4	DO NOT CONNECT!	30 W







ACCESSORIES

CV210 CABLE SPEAKER 100V SEZ 2X1MMQ EVAC

PART NUMBER **14380030**
EAN: 8024530012168

CV215 CABLE SPEAKER 100V SEZ 2X1.5MMQ EVAC

PART NUMBER **14380031**
EAN: 8024530012175

CV225 CABLE SPEAKER 100V SEZ 2X2.5MMQ EVAC

PART NUMBER **14380032**
EAN: 8024530012182



NOTES

NO CAUTION is NECESSARY in case of ALERTED PERSON for AUDIO voltages up to 120V, when warning symbols are present near the connection terminals. In the case of AUDIO voltages up to 71V, it is not even necessary to put warning symbols.
No need of linking to earth metal parts of speakers equipped with transformers and connected to 70.7 V / 100 V outputs of power amplifiers that do not have any reference to earth (ref. EN 62368-1 item 4.3.2.2), unless specific local requirements.
