

# HF99

## PRO HF HORN

### DESCRIPTION

1-inch/1.4 inch Throat Adaptor.90° x 90° Constant Directivity Coverage. Thick Aluminum Body for best heat dissipation in conjunction to Neodimium Compression Drivers. Perfectly Controlled Dispersion



### FEATURES

- 1.4 inch Throat Adaptor
- 90° x 90° Constant Directivity Coverage
- Loading down to 500 Hz
- Thick Aluminum Body for best heat dissipation in conjunction to Neodimium Compression Drivers
- Perfectly Controlled Dispersion

**TECHNICAL SPECIFICATIONS****General specifications**

Throat Diameter:	36 mm / 1.4 inch
Horizontal coverage angle:	90°
Vertical coverage angle:	90°
Cut-off Frequency:	500 Hz
Material:	Aluminium

**Mounting informations**

Overall height:	250 mm / 9.84 inches
Overall width:	250 mm / 9.84 inches
Overall depth:	123 mm / 4.84 inches
Baffle Cut-out height:	200 mm / 7.87 inches
Baffle Cut-out width:	200 mm / 7.87 inches
Mounting:	4 x 7 mm holes, interaxes 101 mm

**Standard compliance**

CE marking:	Yes
-------------	-----

**Physical specifications**

Color:	Black
--------	-------

**Size**

Height:	130 mm / 5.12 inches
Diameter:	250 mm / 9.84 inches
Weight:	1.5 kg / 3.31 lbs

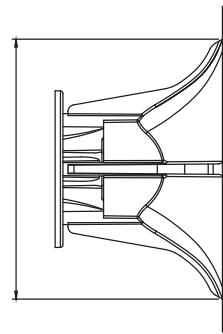
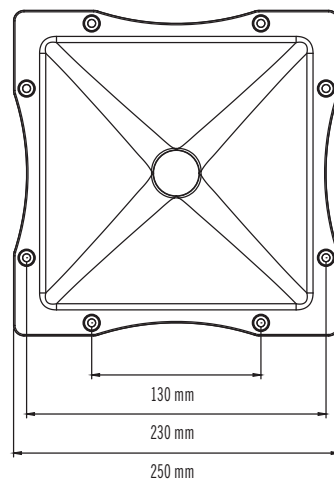
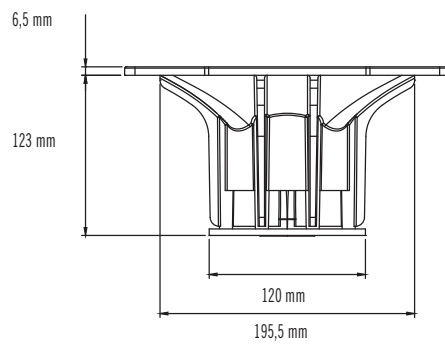
**Shipping informations**

Package Height:	160 mm / 6.3 inches
Package Width:	290 mm / 11.42 inches
Package Depth:	290 mm / 11.42 inches
Package Weight:	2.28 kg / 5.03 lbs

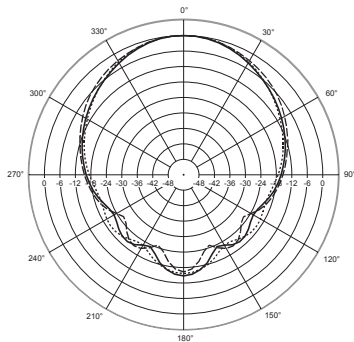
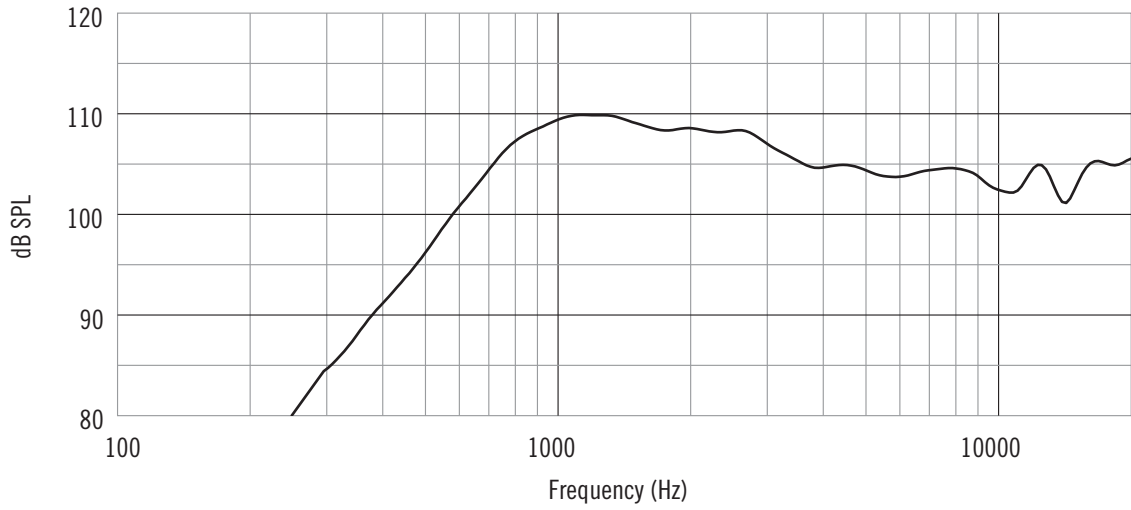
**PART NUMBER**

- **13133069**

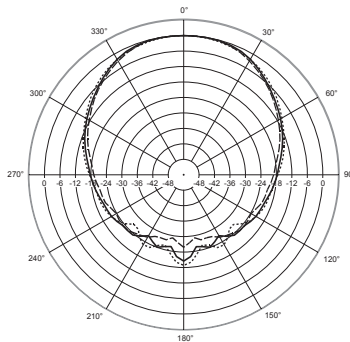
HF99



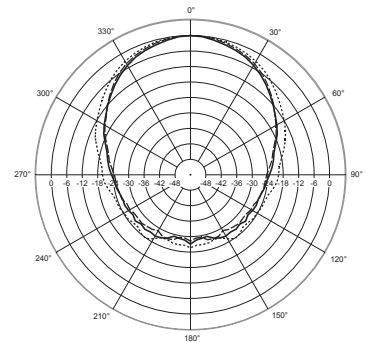
Response 1W/1m



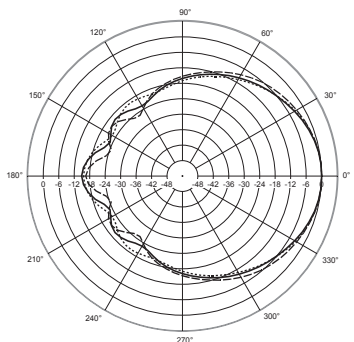
Horizontal 2000 Hz  
1/3 Octave Polars



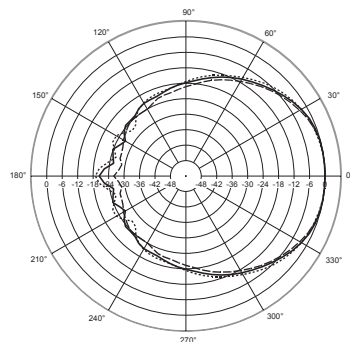
Horizontal 4000 Hz  
1/3 Octave Polars



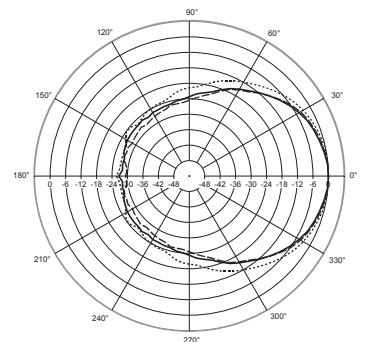
Horizontal 8000 Hz  
1/3 Octave Polars



Vertical 2000 Hz  
1/3 Octave Polars



Vertical 4000 Hz  
1/3 Octave Polars



Vertical 8000 Hz  
1/3 Octave Polars