

DP 5EN

UNIDIRECTIONAL SOUND PROJECTOR

DESCRIPTION

DP 5EN is a 20 W weatherproof sound projector in compliance with EN 54-24 regulations. It is suitable for all those installations where high intelligibility for alarm messages broadcasting and great sound reproduction quality are required; moreover, thanks to its IP 65 protection grade, it can be installed both indoor and outdoor. A modern and endearing design makes it the perfect product for environments where projectors are intended also as architectural elements and contribute to improve global aesthetics.



FEATURES

- 5" full range speaker for alarm voice messages broadcasting and high quality background music
- ABS cabinet with steel mesh grille
- It can be installed both indoors and outdoors (IP 65 protection grade)
- Equipped with transformer for 100 V (/ 70 V) constant voltage lines
- Internal power setting
- Ceramic screw terminal for connection
- Internal thermal fuse

TECHNICAL SPECIFICATIONS

Acoustical specifications	Frequency Response (-10dB):	80 Hz ÷ 20000 Hz
	Max SPL @ 1m:	101 dB
	Max SPL @ 4m:	89 dB
	Coverage angle:	210°
	System Sensitivity:	88 dB
	System Sensitivity 1W @ 4m:	76 dB
Power section	Power Handling:	20 W RMS
	Peak Power Handling:	80 W PEAK
	Recommended Amplifier:	40 W
	Protections:	Thermal fuse
Transducers	Fullrange:	5.0"
Input/Output section	Input connectors:	Ceramic screw terminals
	Output connectors:	Ceramic screw terminals
	Constant Voltage Transformer:	100 V
	Power selection 1 (100 V):	20 W - 500 ohm
	Power selection 2 (100 V):	10 W - 1000 ohm
	Power selection 3 (100 V):	5 W - 2000 ohm
	Power selection 4 (100 V):	2.5 W - 4000 ohm
Standard compliance	IP protection grade:	IP 65
	EN54-24 certified:	Yes
	CE marking:	Yes
	CPR number:	0068-CPR-058/2014
Physical specifications	Cabinet/Case Material:	ABS
	Hardware:	Wall mount metal plate
	Grille:	Steel
	Color:	White - RAL 9016
Size	Height:	183 mm / 7.2 inches
	Width:	176 mm / 6.93 inches
	Depth:	261 mm / 10.28 inches
	Weight:	2.61 kg / 5.75 lbs
Shipping informations	Package Height:	230 mm / 9.06 inches
	Package Width:	400 mm / 15.75 inches
	Package Depth:	380 mm / 14.96 inches
	Package Weight:	3.54 kg / 7.8 lbs



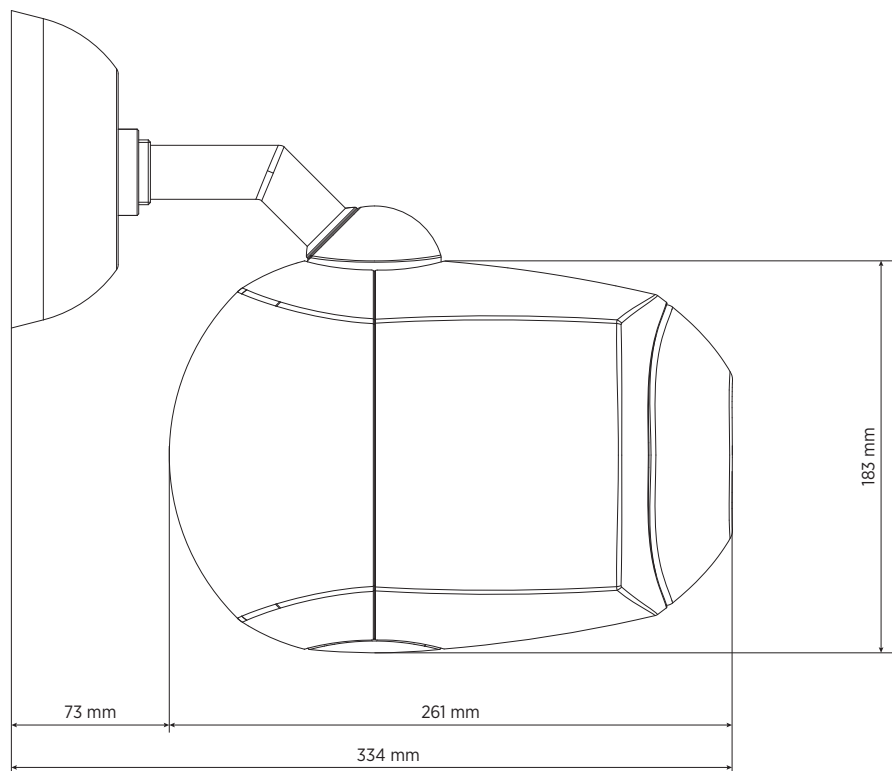
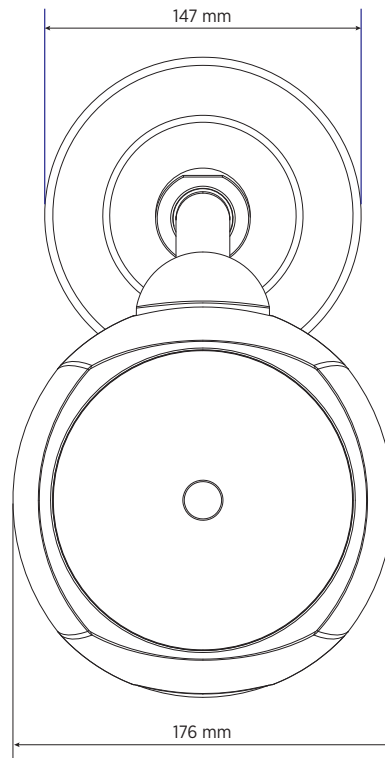
PART NUMBER

- **13133076**

DP 5EN

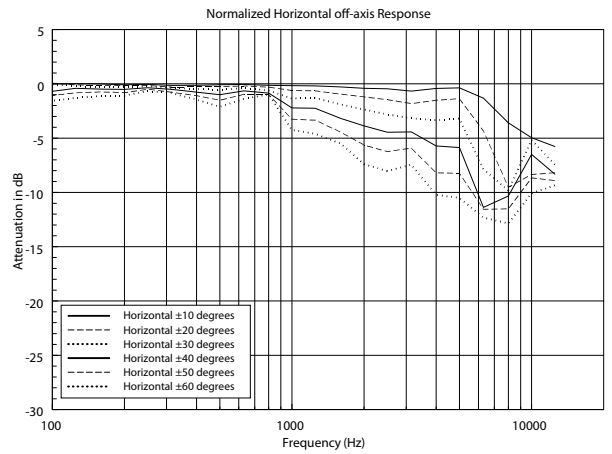
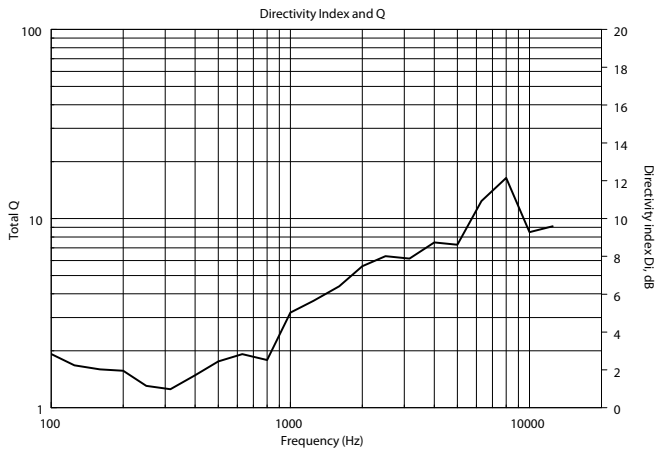
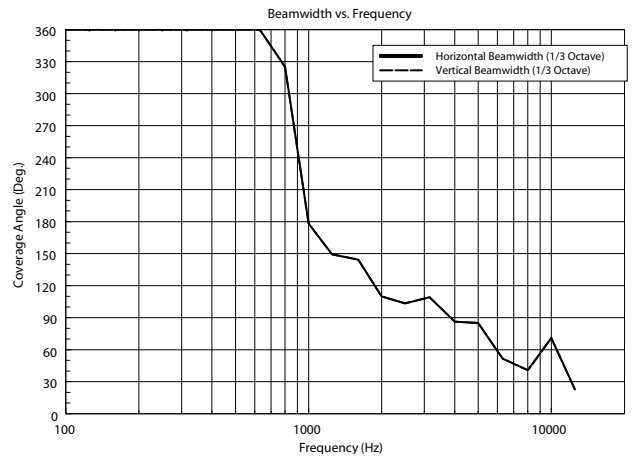
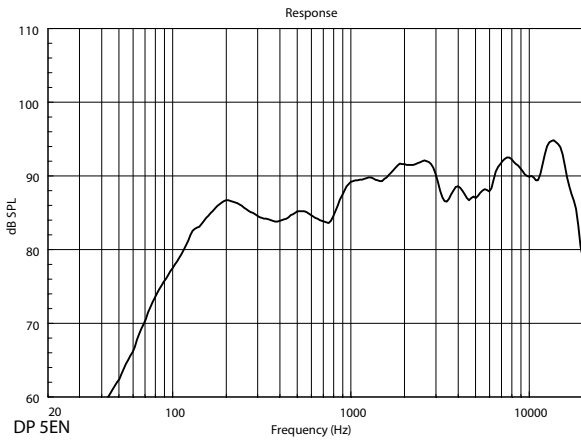
White - RAL 9016

DRAWINGS



SCHEMATICS





HORIZONTAL 1/3 POLAR PLOT

