

HF96

PRO HF HORN

DESCRIPTION

1.4 inch Throat Adaptor. 90° x 60° Constant Directivity Coverage. Thick Aluminum Body for best heat dissipation in conjunction to Neodimium Compression Drivers. Perfectly Controlled Dispersion



FEATURES

- 1.4 inch Throat Adaptor
- 90° x 60° Constant Directivity Coverage
- Loading down to 500 Hz
- Thick Aluminum Body for best heat dissipation in conjunction to Neodimium Compression Drivers
- Perfectly Controlled Dispersion

TECHNICAL SPECIFICATIONS**General specifications**

Throat Diameter:	36 mm / 1.4 inch
Horizontal coverage angle:	90°
Vertical coverage angle:	60°
Cut-off Frequency:	500 Hz
Material:	Aluminium

Mounting informations

Overall height:	250 mm / 9.84 inches
Overall width:	250 mm / 9.84 inches
Overall depth:	129 mm / 5.08 inches
Baffle Cut-out height:	205 mm / 8.07 inches
Baffle Cut-out width:	205 mm / 8.07 inches
Mounting:	4 x 7 mm holes, interaxes 101 mm

Standard compliance

CE marking:	Yes
-------------	-----

Physical specifications

Color:	Black
--------	-------

Size

Height:	135 mm / 5.31 inches
Diameter:	250 mm / 9.84 inches
Weight:	1.43 kg / 3.15 lbs

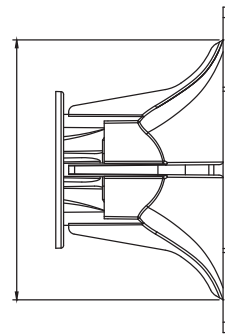
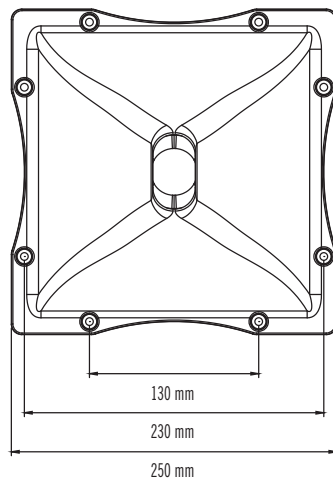
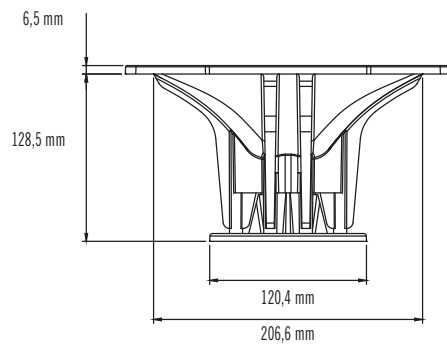
Shipping informations

Package Height:	160 mm / 6.3 inches
Package Width:	290 mm / 11.42 inches
Package Depth:	290 mm / 11.42 inches
Package Weight:	2.12 kg / 4.67 lbs

PART NUMBER

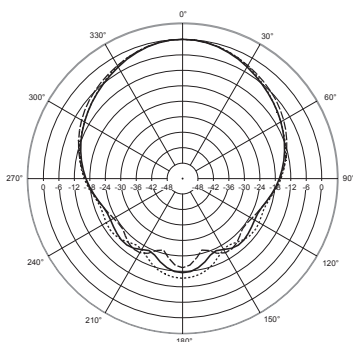
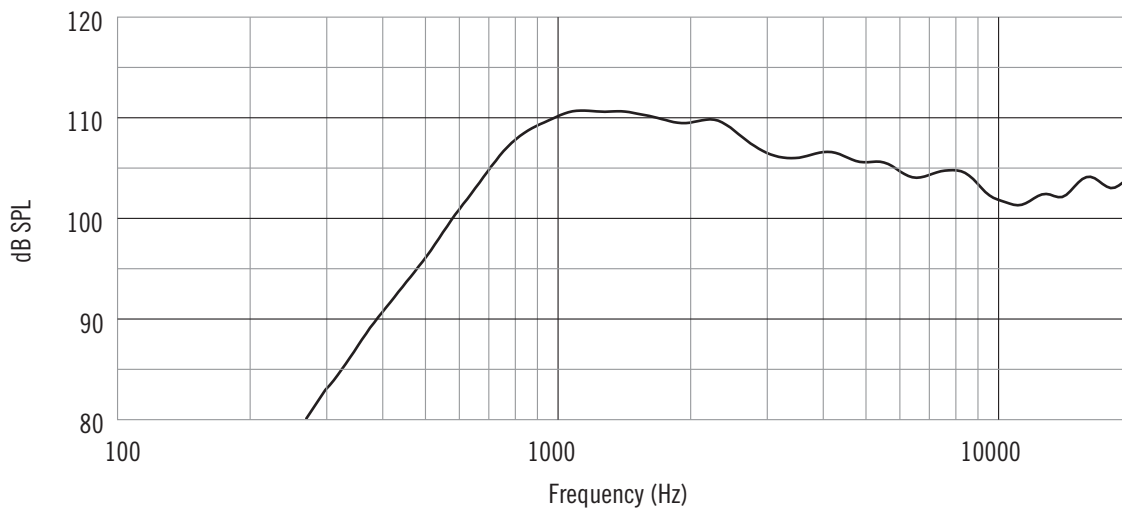
- **13133068**

HF96

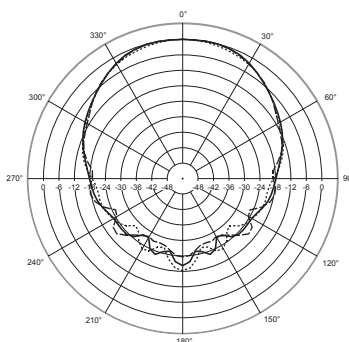


HF96

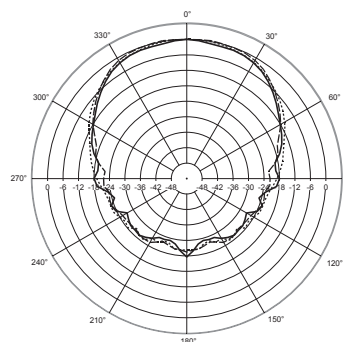
Response 1W/1m



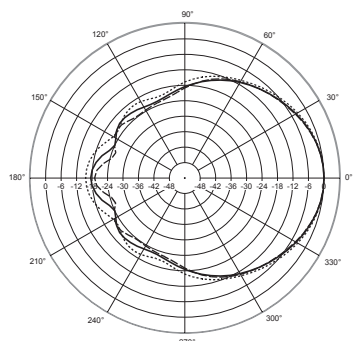
Horizontal 2000 Hz
1/3 Octave Polars



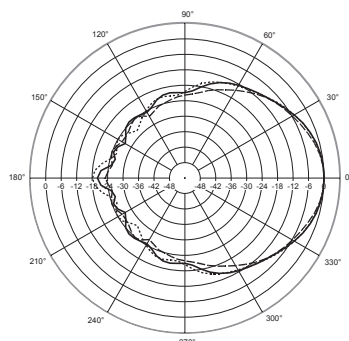
Horizontal 4000 Hz
1/3 Octave Polars



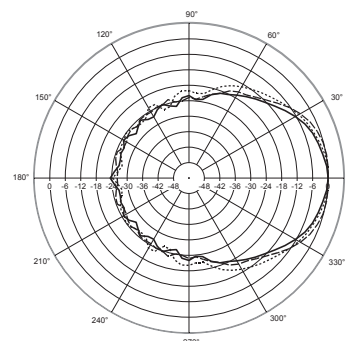
Horizontal 8000 Hz
1/3 Octave Polars



Vertical 2000 Hz
1/3 Octave Polars



Vertical 4000 Hz
1/3 Octave Polars



Vertical 8000 Hz
1/3 Octave Polars