

MB12N405

MID - BASS

DESCRIPTION

The MB12N405 is a hypervented neo mid-bass design with a linear frequency response and very high efficiency.

To get this performance the magnetic structure use a high flux neo disc and the cone assembly a fibre loaded exponential shape along with a high excursion triple roll, constant geometry surround. The fibreglass former and aluminium voice coil provide a very high power handling maintaining a light mass and a proper Q factor for bass alignment.



FEATURES

- 4-inch, fibreglass inside/outside aluminium voice coil
- 2000W continuous program power handling
- 98.5 dB Sensitivity
- 50 Hz - 2 kHz Frequency range
- Dual-forced air ventilation for minimum power compression
- Triple roll surround and exponential cone geometry

TECHNICAL SPECIFICATIONS

General specifications

Nominal Diameter:	12 inch / 305 mm
Rated Impedance:	8 ohm
Program Power (watt):	2000 W
Power handling capacity:	1000 W
Sensitivity:	98 dB
Frequency range:	50 - 2000 Hz
Effective piston diameter:	260 mm / 10.24 inch
Max. Excursion Before Damage:	53 mm / 2.09 inch
Minimum Impedance (ohm):	6 ohm
Voice Coil Diameter:	4.0 inch / 102 mm
Voice Coil Winding Material:	Aluminium
Voice Coil Length:	20 mm / 0.79 inch
Number of layers:	2
Kind of layers:	inside/outside
Top Plate Thickness:	12 mm / 0.47 inch
Cone Design:	Curved
Surround Material:	Polycotton
Surround Design:	Triple roll
Magnets:	Neodymium
Hyperventated magnetic structure:	Yes
Spider:	Single

Thiele - small parameters

Resonance frequency (Fs):	52 Hz
DC resistance (Re) (ohm):	5.00 ohm
Mechanical factor:	6.00 Qms
Electrical factor:	0.21 Qes
Total factor:	0.20 Qts
Bl factor (Bl) (T x m):	23.50 T x m
Effective moving mass (Mms):	73 gr
Equivalent Cas air loaded (Vas):	53 liters
Effective piston area (Sd):	0.05 m ²
Max. linear excursion (Xmax):	7 mm
Voice coil inductance @ 1kHz (Le1k):	1.20 mH
Half-space efficiency (Eff):	3.31%

Mounting informations

Overall diameter:	320 mm / 12.6 inches
Bolt circle diameter:	293-304 mm / 11.54-11.97 inch
Bolt hole diameter:	7 mm / 0.28 inch
Front mount baffle cut-out:	282 mm / 11.1 inch
Rear mount baffle cut-out:	284 mm / 11.18 inch
Volume occupied by the driver:	2.9 liters / 0.11 ft ³

Standard compliance

CE marking:	Yes
-------------	-----

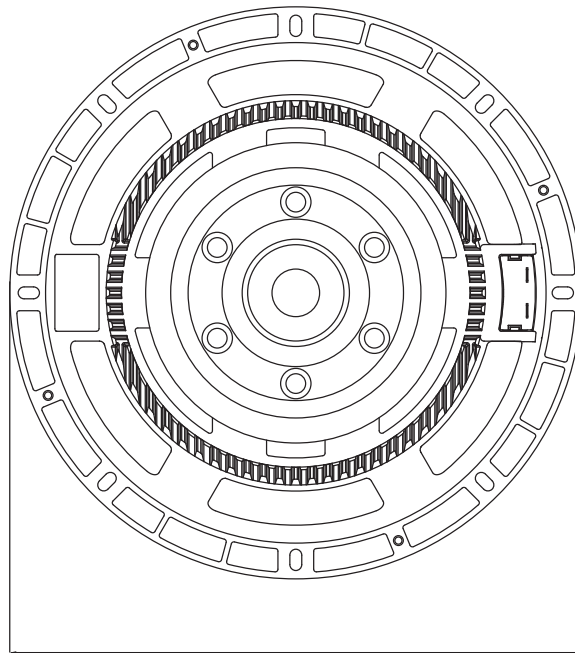


Size	Height:	133 mm / 5.24 inches
	Diameter:	320 mm / 12.6 inches
	Weight:	7.7 kg / 16.98 lbs

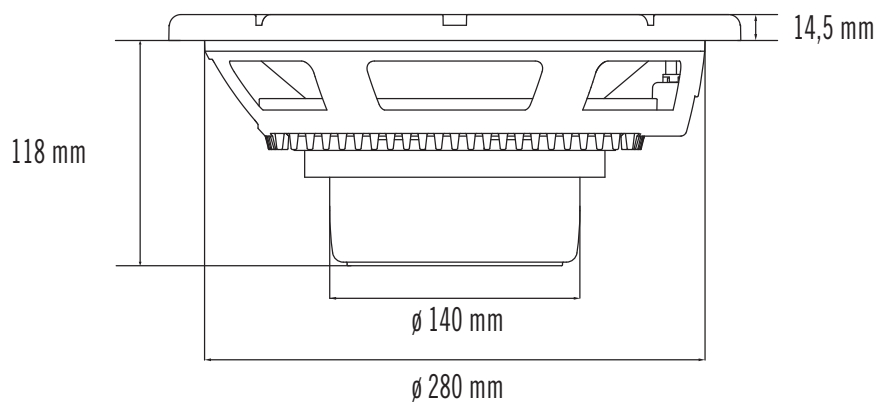
Shipping informations	Package Height:	194 mm / 7.64 inches
	Package Width:	354 mm / 13.94 inches
	Package Depth:	364 mm / 14.33 inches
	Package Weight:	8.7 kg / 19.18 lbs

PART NUMBER

- **11100112**
MB12N405
8ohm



ø 320 mm



118 mm

14,5 mm

ø 140 mm

ø 280 mm

