

HD 210TY

ALUMINIUM HORN SPEAKER WITH DRIVER AND TRANSFORMER

DESCRIPTION

The HD 210/T are compact, lightweight and watertight horn speakers. They are designed to provide high efficiency and characterized by the high intelligibility of the reproduced sound with low distortion. The built-in line transformer makes it possible to connect the horn loudspeaker to both 50 and 100 V constant voltage lines, and select the delivered power by means of a rotary dial on the rear cover



FEATURES

- Built-in line transformer with multitap power selector on rear cover
- Hi-pass filter for protecting driver against out-of-range low-freq
- IP 66 construction for indoor-outdoor environmental temperature between -25°C to +70°C
- Aluminium flare with UV-stabilized autoextinguishing UL-HB ABS rear cover
- Colour RAL 7035
- Stainless-Steel mounting hardware
- Double insulation design

TECHNICAL SPECIFICATIONS

Acoustical specifications	Frequency Response (-10dB):	300 Hz ÷ 9000 Hz
	Max SPL @ 1m:	123 dB
	Coverage angle:	70°
	System Sensitivity:	108 dB
Power section	Power Handling:	20 W RMS
	Peak Power Handling:	80 W PEAK
	Recommended Amplifier:	40 W
Transducers	Compression Driver:	1.3"
Input/Output section	Input connectors:	Cable
	Output connectors:	Cable
	Constant Voltage Transformer:	100 V
	Power selection 1 (100 V):	20 W - 500 ohm
	Power selection 2 (100 V):	10 W - 1000 ohm
	Power selection 3 (100 V):	5 W - 2000 ohm
	Power selection 4 (100 V):	2.5 W - 4000 ohm
Standard compliance	IP protection grade:	IP 66
	CE marking:	Yes
Physical specifications	Cabinet/Case Material:	Aluminium
	Hardware:	Stainless steel U bracket
	Color:	Grey - RAL 7035
Size	Depth:	290 mm / 11.42 inches
	Diameter:	210 mm / 8.27 inches
	Weight:	2.41 kg / 5.31 lbs
Shipping informations	Package Height:	310 mm / 12.2 inches
	Package Width:	220 mm / 8.66 inches
	Package Depth:	220 mm / 8.66 inches
	Package Weight:	2.65 kg / 5.84 lbs

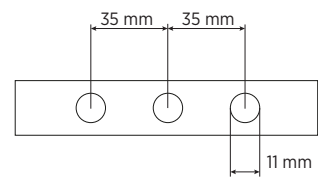
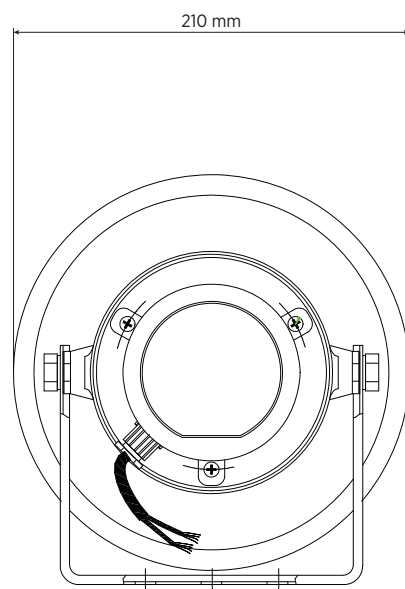
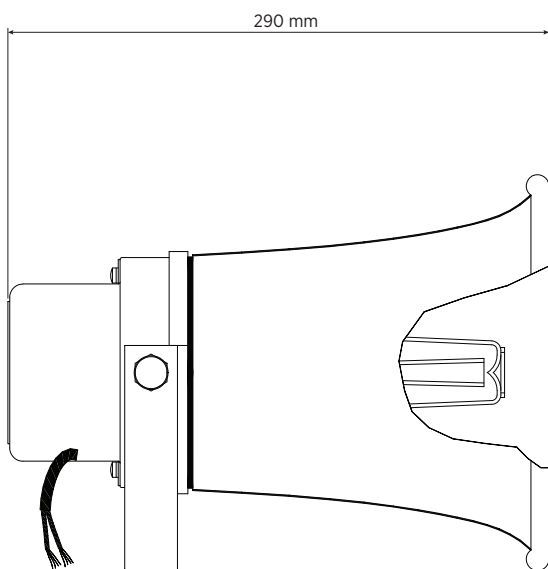
PART NUMBER

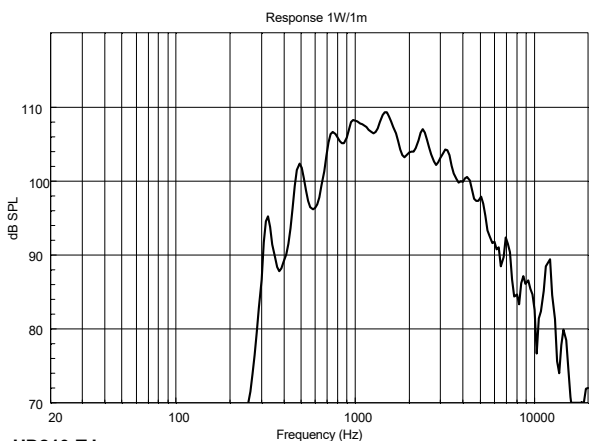
- **13100018**

HD 210TY

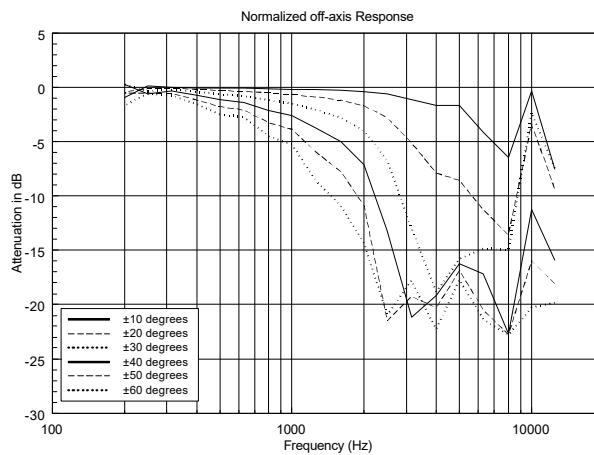
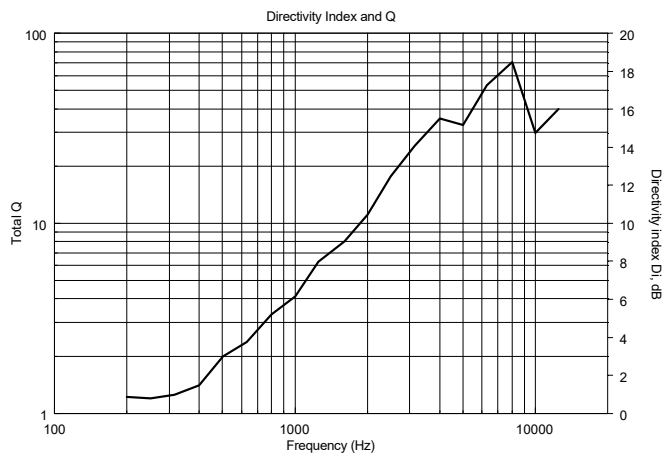
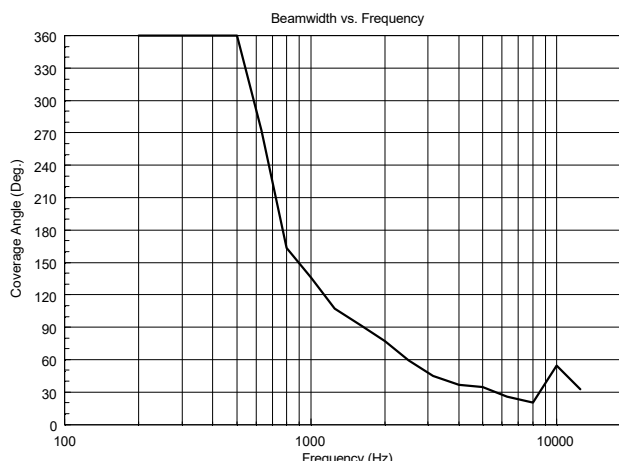
EAN 8024530014346

DRAWINGS



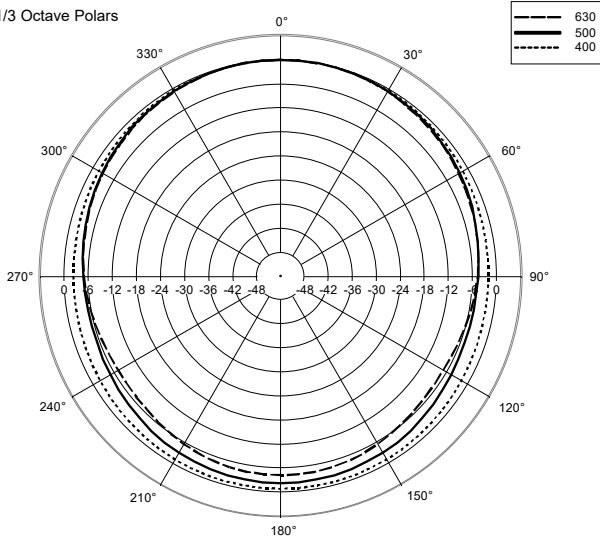


HD210-TJ

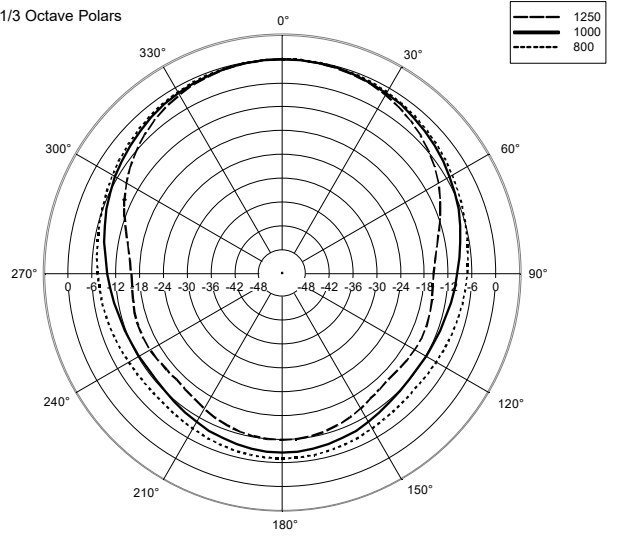


HORIZONTAL 1/3 POLAR PLOT

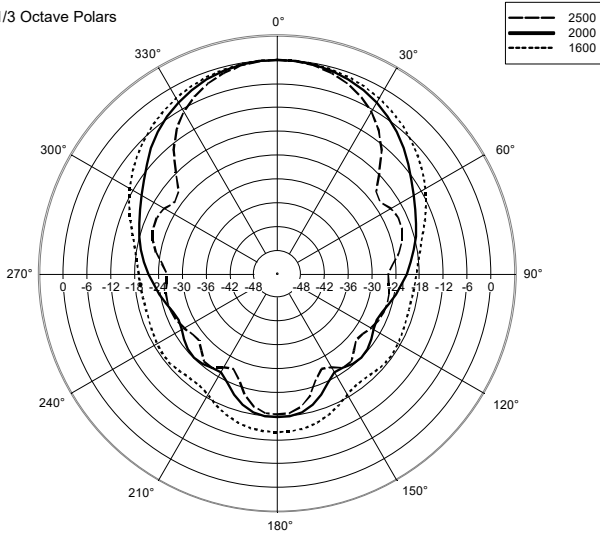
1/3 Octave Polars



1/3 Octave Polars



1/3 Octave Polars



1/3 Octave Polars

