

# BM 3022

## PAGING MICROPHONE

### DESCRIPTION

Gooseneck microphone with hi-quality unidirectional electret capsule Direct connection to power amplifiers input through CAT5 cable Adjustable line output with RJ45 connector Switchable automatic gain control (AGC) Up to 30 BM 3022 paging microphones can be linked in a 'daisy-chain' Selectable mixing, interlocking or priority mode among devices When activating a microphone, the announcement can be preceded by a chime.



### FEATURES

- Up to 30 BM 3022 paging microphones can be linked in a 'daisy-chain'

## TECHNICAL SPECIFICATIONS

<b>Microphone specifications</b>	Type:	Desktop paging microphone with electret capsule
	Directivity:	Cardioid
	Frequency Response (-3dB):	200 Hz ÷ 7 kHz
	Output impedance (ohm):	130.00 ohm
	Minimum load impedance (ohm):	470.00 ohm
	Signal / Noise ratio @1kHz:	82.00 dB
	Total harmonic distortion @1 kHz:	0.65%
<b>Console specifications</b>	Console Type:	Paging
	Working with	DXT 3000
	General call:	Yes
	Preamplified:	Yes
	LED indicators:	Yes
<b>Power requirement</b>	Operating voltage:	24.00V - Hz
	Power consumption:	2.80 mA
<b>Connections</b>	Connectors:	RJ45
<b>Functionalities</b>	Priority:	Yes
	VOX facility:	Yes
	Chime tone generator:	Yes
	Smart PTT:	Yes
	Automatic gain control:	Yes
<b>Accessories</b>	Cable included:	Yes
	Cable length (m):	5
<b>Standard compliance</b>	CE marking:	Yes
<b>Physical specifications</b>	Cabinet/Case Material:	Plastic
	Color:	Grey
<b>Size</b>	Height:	48 mm / 1.89 inches
	Width:	100 mm / 3.94 inches
	Depth:	159 mm / 6.26 inches
	Weight:	0.74 kg / 1.63 lbs
<b>Shipping informations</b>	Package Height:	144 mm / 5.67 inches
	Package Width:	329 mm / 12.95 inches
	Package Depth:	129 mm / 5.08 inches
	Package Weight:	1.18 kg / 2.6 lbs



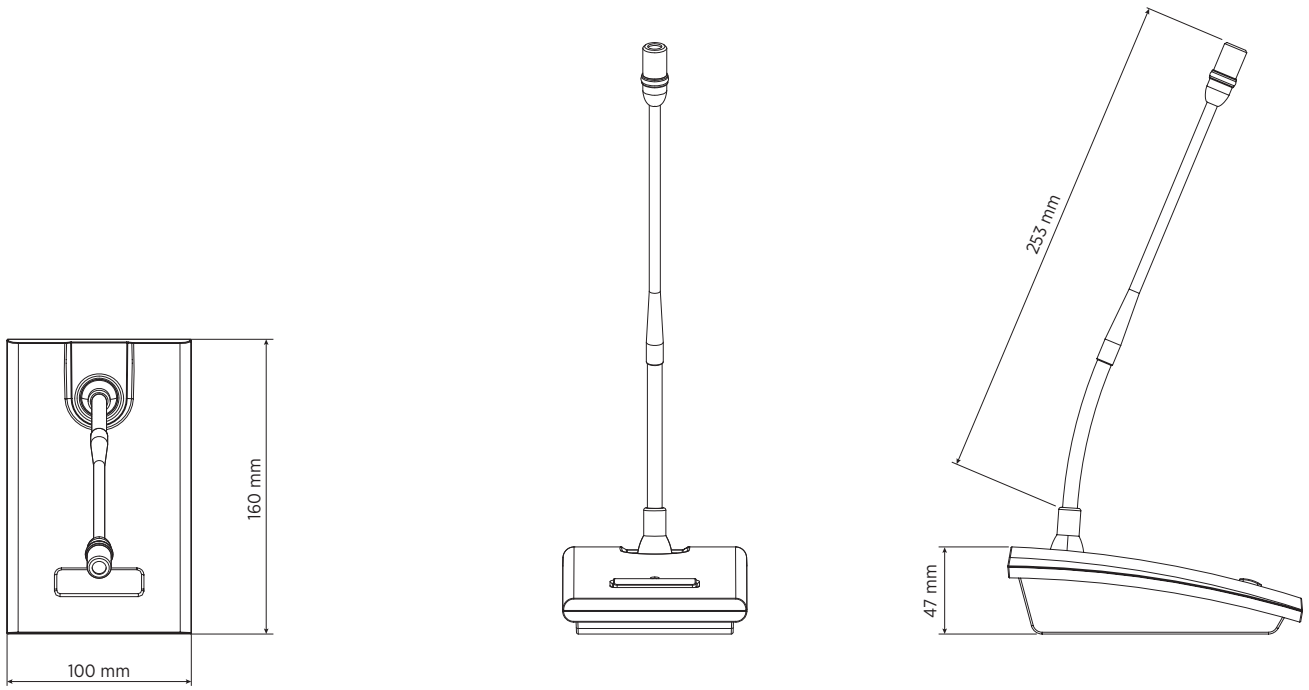
**PART NUMBER**

- **14322013**

BM 3022

EAN 8024530007034

**DRAWINGS**



**PANELS**

Front panel

