

DU 60EN

WALL/CEILING UNIVERSAL STEEL SPEAKER

DESCRIPTION

DU 60EN is a speaker with high intelligibility designed for use in alarm messages and background music. The 5" dual cone speaker is included in a steel can; the speaker is provided with a multitap transformer for 100V/70V constant voltage systems, a terminal block made with ceramic material for input and output flameproof cables and thermal switch. DU 60EN is complying with EN 54-24 standard.



FEATURES

- Speaker designed for transmitting alarm messages with high intelligibility, and background music
- Musical power/RMS: 12/6W
- Wide-band dual cone loudspeaker, diameter 5"
- Extra-thick steel housing, terminal strip for connections made of ceramic material for flameproof input and output cables, thermal fuse, suitable internal wiring
- In compliance with norm EN 54-24
- Colour: RAL 9010 White

TECHNICAL SPECIFICATIONS

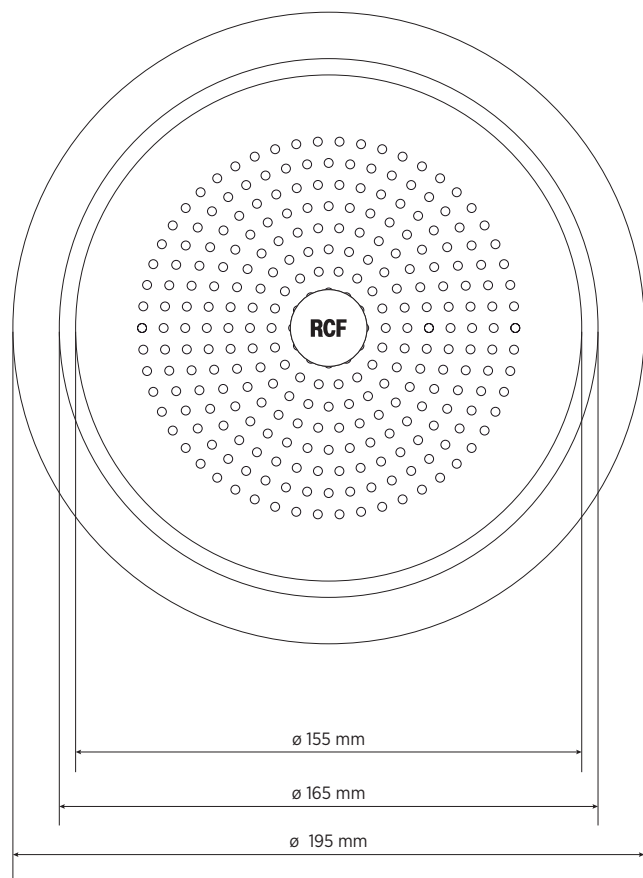
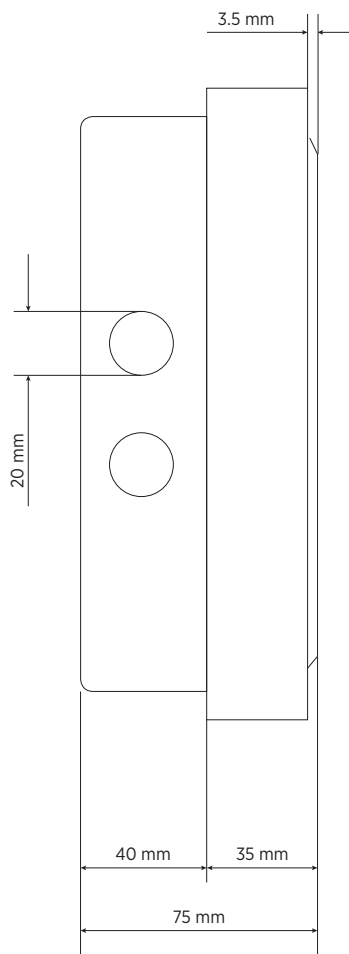
Acoustical specifications	Frequency Response (-10dB):	100 Hz ÷ 20000 Hz
	Max SPL @ 1m:	100 dB
	Max SPL @ 4m:	88 dB
	Coverage angle:	180°
	System Sensitivity:	94 dB
	System Sensitivity 1W @ 4m:	82 dB
Power section	Power Handling:	6 W RMS
	Peak Power Handling:	24 W PEAK
	Recommended Amplifier:	12 W
	Protections:	Thermal fuse
Transducers	Fullrange:	5.0"
Input/Output section	Input connectors:	Ceramic screw terminals
	Output connectors:	Ceramic screw terminals
	Constant Voltage Transformer:	100 V
	Power selection 1 (100 V):	6 W - 1667 ohm
	Power selection 2 (100 V):	3 W - 3333 ohm
	Power selection 3 (100 V):	1.5 W - 6667 ohm
Power selection 4 (100 V):	0.75 W - 13333 ohm	
Standard compliance	EN54-24 certified:	Yes
	CE marking:	Yes
	CPR number:	1488-CPR-0488/W
Physical specifications	Cabinet/Case Material:	Metal
	Grille:	Steel
	Color:	White - RAL 9016
Size	Depth:	75 mm / 2.95 inches
	Diameter:	195 mm / 7.68 inches
	Weight:	1.61 kg / 3.55 lbs
Shipping informations	Package Height:	120 mm / 4.72 inches
	Package Width:	230 mm / 9.06 inches
	Package Depth:	230 mm / 9.06 inches
	Package Weight:	1.84 kg / 4.06 lbs

PART NUMBER

- **13133083**

DU 60EN

DRAWINGS



SCHEMATICS

