

FL-B HDL 50

FLYBAR

DESCRIPTION

Flybar for HDL 50-A or HDL 53-AS + 1x Pickup Tab with Shackle + Stacking Bar + Mounting Bracket for inclinometer. Pins included.



TECHNICAL SPECIFICATIONS

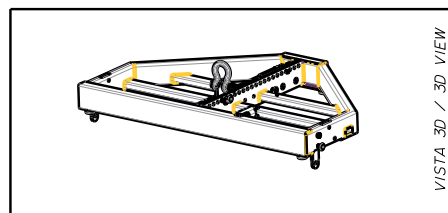
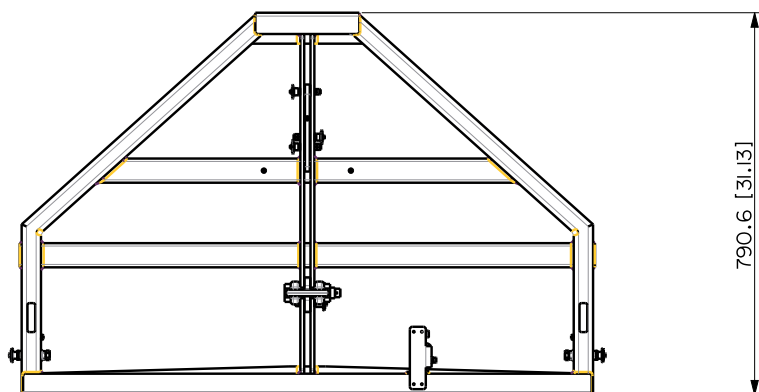
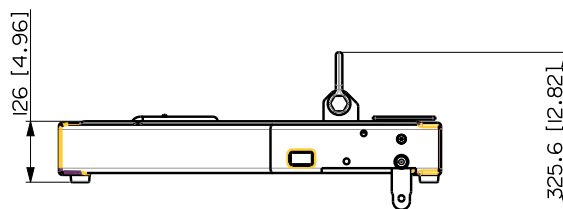
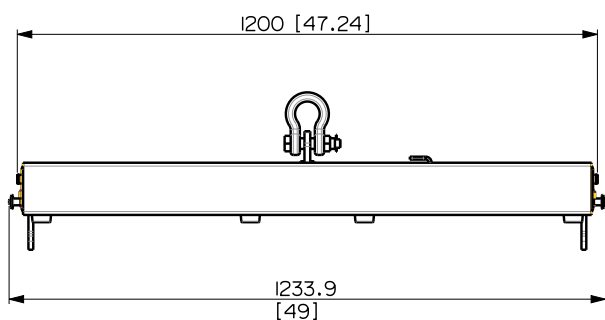
General specifications	Max number of speaker:	20
Standard compliance	CE marking:	Yes
Physical specifications	Color:	Black
Size	Height:	126 mm / 4.96 inches
	Width:	1200 mm / 47.24 inches
	Depth:	790 mm / 31.1 inches
	Weight:	51.2 kg / 112.88 lbs
Shipping informations	Package Height:	145 mm / 5.71 inches
	Package Width:	1255 mm / 49.41 inches
	Package Depth:	845 mm / 33.27 inches
	Package Weight:	59 kg / 130.07 lbs

PART NUMBER

- **13360334**

FL-B HDL 50

EAN 8024530013240



VISTA 3D / 3D VIEW

	FLYBAR HDL 50-A	REV. A
--	-----------------	-----------