

BM 404

DESKTOP PAGING MICROPHONE

DESCRIPTION

BM 404 is a desktop paging console that allows making selective calls to 4 zones. Specifically designed as a complement for Business Music systems, such as DMA amplifiers, the console is made of a shock-resistant polymeric body, fitted with an electret microphone on a 230 mm gooseneck, and a polyurethane foam windscreen. Connect up to 4 consoles on a single chain (interlocked) to each amplifier with a CAT5 cable (included). Dedicated buttons with LEDs allow for microphone activation and zone selection. Chime tone is selectable with a single on/off switch. The RCF BM-404 is ready to use out of the box and does not require any configuration.



FEATURES

- Shock-resistant polymeric body
- High-quality electret microphone with 230 mm long gooseneck
- Zones selection and PTT buttons with LED
- 16ft / 5m connection cable included
- External power supply included

TECHNICAL SPECIFICATIONS

Microphone specifications	Type:	Electret
	Directivity:	Hypercardioid
	Sensitivity:	-55 dB
	Frequency Response (-3dB):	50 Hz ÷ 20 kHz
	Output impedance (ohm):	250.00 ohm
Console specifications	Console Type:	Paging
	Working with	DMA 82 and DMA 162
	General call:	Yes
	Selective call:	Yes
	Number of zones:	4
	Preamplified:	Yes
	LED indicators:	Yes
Power requirement	Operating voltage:	24.00V - Hz
Connections	Connectors:	RJ45
	Cable:	FTP CAT 5
	Daisy-chain:	Yes
	Max number in daisy-chain:	4
	Interlock:	Yes
Functionalities	Priority:	Yes
	Chime tone generator:	Yes
	Automatic gain control:	Yes
Accessories	Cable included:	Yes
	Cable length (m):	5
Standard compliance	CE marking:	Yes
Physical specifications	Cabinet/Case Material:	Plastic
	Color:	Black - RAL 9005
Size	Height:	40 mm / 1.57 inches
	Width:	181 mm / 7.13 inches
	Depth:	89 mm / 3.5 inches
	Weight:	0.45 kg / 0.99 lbs
Shipping informations	Package Height:	130 mm / 5.12 inches
	Package Width:	330 mm / 12.99 inches
	Package Depth:	150 mm / 5.91 inches
	Package Weight:	1.1 kg / 2.43 lbs

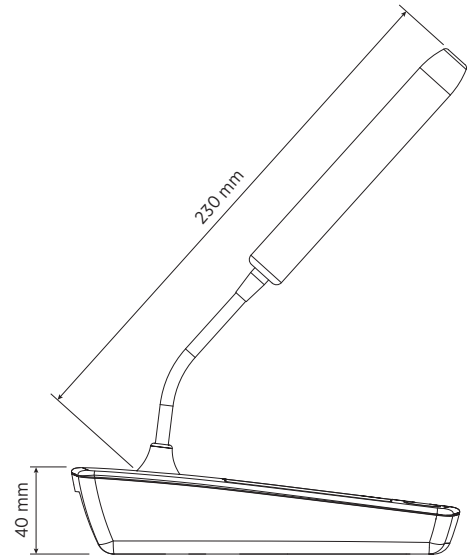
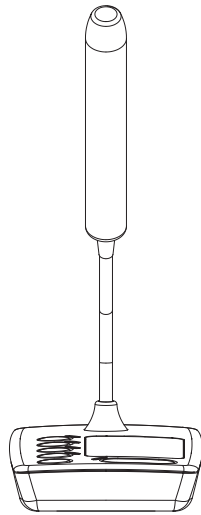
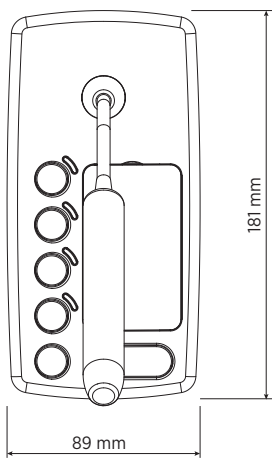


PART NUMBER

- **14322031**

BM 404

DRAWINGS



PANELS

Front panel

