

# HF66

## PRO HF HORN

### DESCRIPTION

1-inch/1.4 inch Throat Adaptor. 60° x 60° Constant Directivity Coverage. Thick Aluminum Body for best heat dissipation in conjunction to Neodimium Compression Drivers. Perfectly Controlled Dispersion



### FEATURES

- 1.4 inch Throat Adaptor
- 60° x 60° Constant Directivity Coverage
- Loading down to 500 Hz
- Thick Aluminum Body for best heat dissipation in conjunction to Neodimium Compression Drivers
- Perfectly Controlled Dispersion

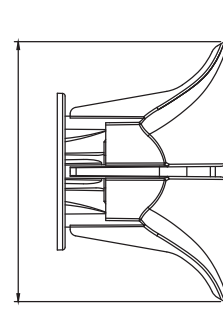
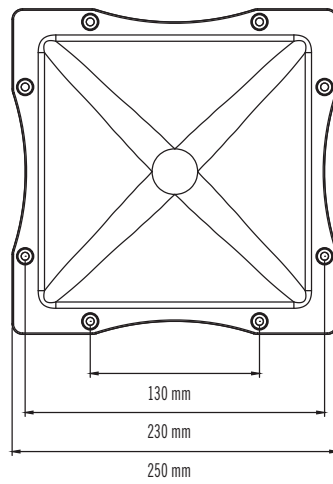
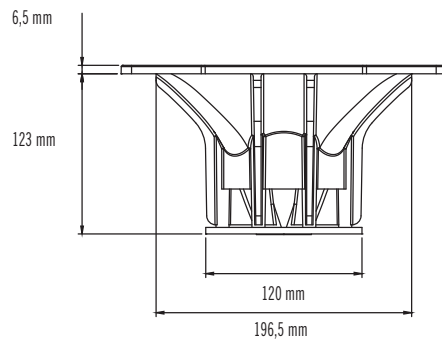
**TECHNICAL SPECIFICATIONS**

<b>General specifications</b>	Throat Diameter:	25-36 mm / 1.0-1.4 inch
	Horizontal coverage angle:	90°
	Vertical coverage angle:	40°
	Cut-off Frequency:	500 Hz
	Material:	Aluminium
<b>Mounting informations</b>	Overall height:	250 mm / 9.84 inches
	Overall width:	250 mm / 9.84 inches
	Overall depth:	135 mm / 5.31 inches
	Baffle Cut-out height:	205 mm / 8.07 inches
	Baffle Cut-out width:	205 mm / 8.07 inches
	Mounting:	4 x 7 mm holes, interaxes 101 mm
<b>Standard compliance</b>	CE marking:	Yes
<b>Physical specifications</b>	Color:	Black
<b>Size</b>	Height:	142 mm / 5.59 inches
	Diameter:	250 mm / 9.84 inches
	Weight:	1.35 kg / 2.98 lbs
<b>Shipping informations</b>	Package Height:	160 mm / 6.3 inches
	Package Width:	290 mm / 11.42 inches
	Package Depth:	290 mm / 11.42 inches
	Package Weight:	2.04 kg / 4.5 lbs

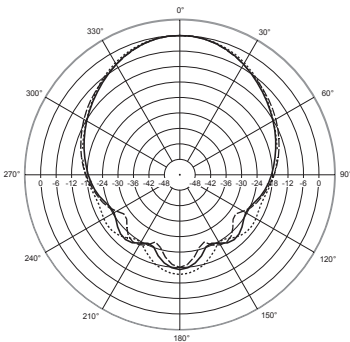
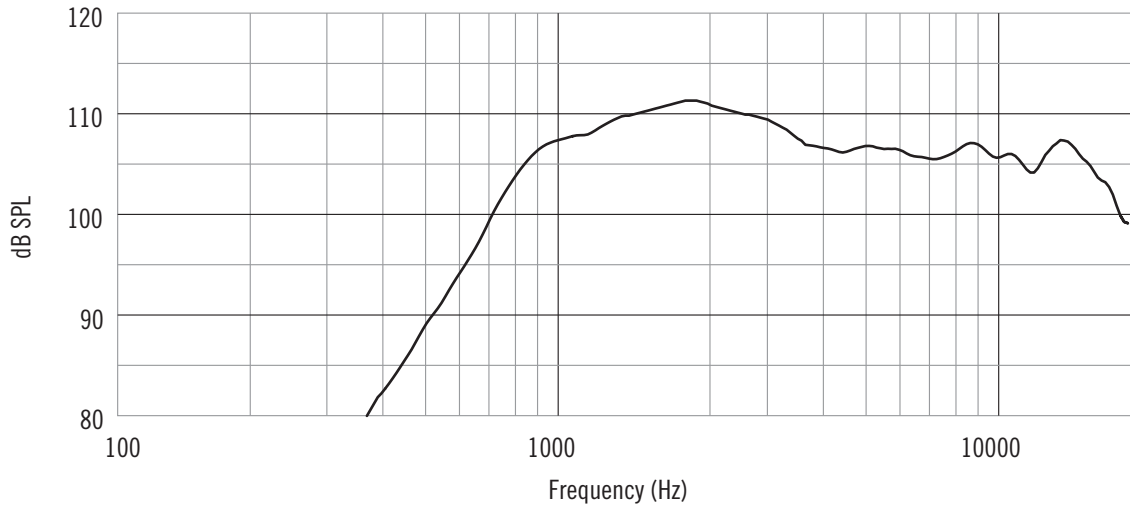
**PART NUMBER**

- **13133067**

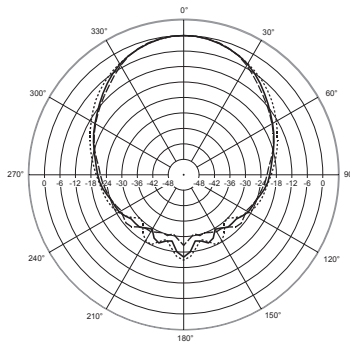
HF66



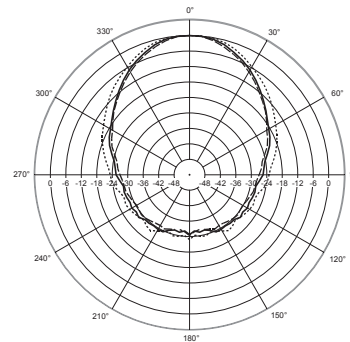
Response 1W/1m



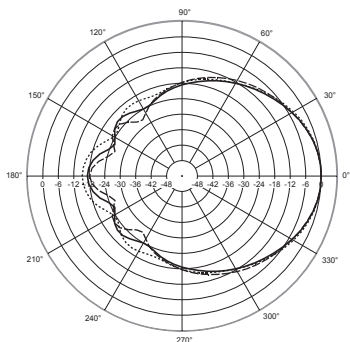
Horizontal 2000 Hz  
1/3 Octave Polars



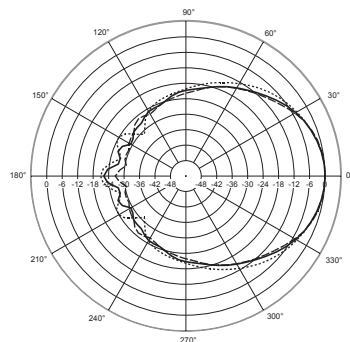
Horizontal 4000 Hz  
1/3 Octave Polars



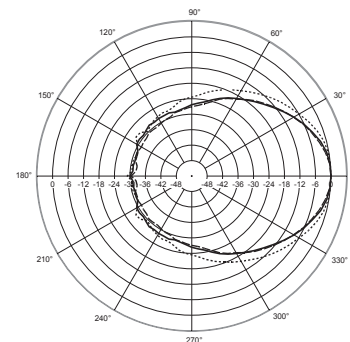
Horizontal 8000 Hz  
1/3 Octave Polars



Vertical 2000 Hz  
1/3 Octave Polars



Vertical 4000 Hz  
1/3 Octave Polars



Vertical 8000 Hz  
1/3 Octave Polars