

FL-B HDL 10

SUSPENDING BAR FOR HDL 10-A

DESCRIPTION

Flybar for HDL 10-A + 1x Pickup Tab with Shackle + Stacking Bar. Pins included.



FEATURES

- To suspend up to 16 HDL 10-A modules
- Strong steel construction



TECHNICAL SPECIFICATIONS

General specifications

Pins Included	3
Stack Bar Included	Yes
Other Components Included	Fly Bar Pickup HDL 20
Max number of speaker	16

Standard compliance

CE marking:	Yes
-------------	-----

Physical specifications

Cabinet/Case Material:	Steel
Color:	Black

Size

Weight:	18 kg / 39.68 lbs
---------	-------------------

Shipping informations

Package Height:	130 mm / 5.12 inches
Package Width:	660 mm / 25.98 inches
Package Depth:	615 mm / 24.21 inches
Package Weight:	22.8 kg / 50.27 lbs

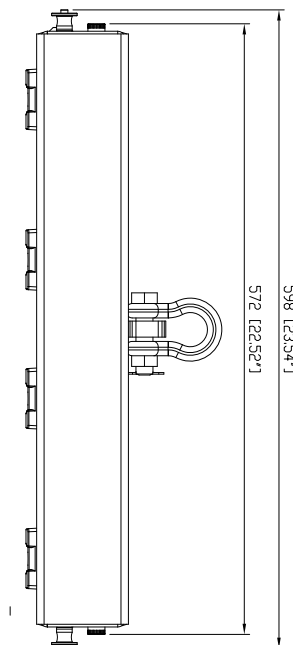
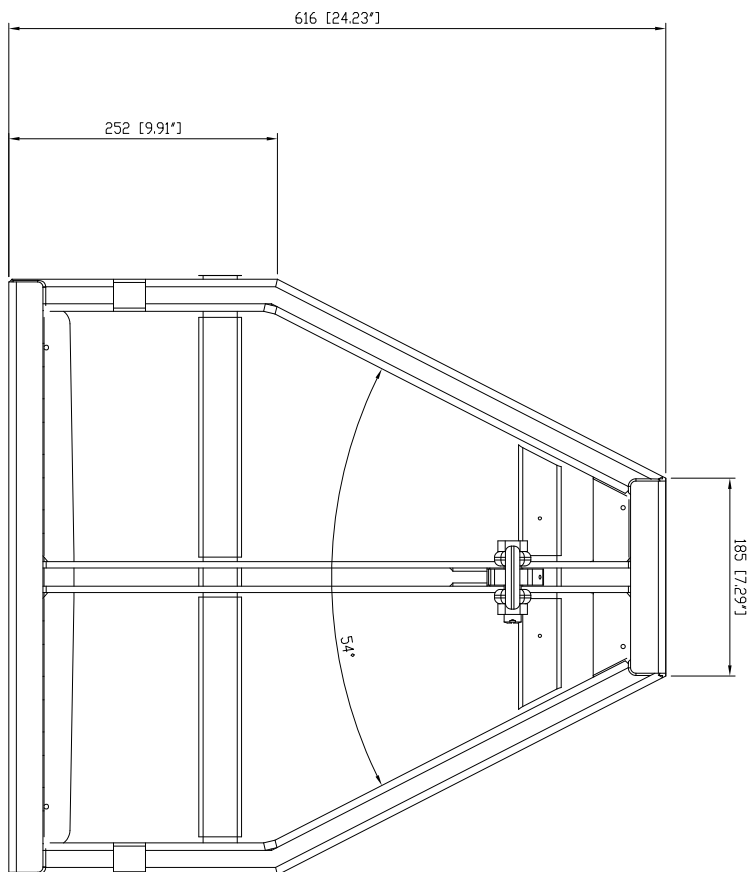
PART NUMBER

- **13360314**

FL-B HDL 10 W
 White
 EAN 8024530012472

- **13360274**

FL-B HDL 10
 Black
 EAN 8024530012625



FLYBAR HDL10-A
HDL15-AS

