

BM 9804

SELECTIVE CALL PAGING MICROPHONE

DESCRIPTION

The BM 9000 series microphone consoles for announcements are part of the DXT 9000 digital system, and can be directly connected to all master units. User can send announcements to different pre-configured zones or groups of zones, recall matrix configurations, intervene on sound levels, select music sources in different areas, send routine messages or alarms stored in the system memory or explore other possibilities.



FEATURES

- Pre-amplified hyper-cardioid hi-quality microphone
- Integrated compressor and limiter to improve intelligibility
- Up to 16 consoles on the same bus
- Configuration via PC software
- Programmable function keys
- Alert and evacuation indications
- Pre-recorded message activation
- Interactive LCD display
- Power supply voltage from the bus (first console) or from 24V DC local input

TECHNICAL SPECIFICATIONS

Microphone specifications	Type:	Electret
	Directivity:	Cardioid
	Frequency Response (-3dB):	50 Hz ÷ 18 kHz
	Output impedance (ohm):	470.00 ohm
Console specifications	Console Type:	Emergency
	Working with	DXT 9000
	General call:	Yes
	Selective call:	Yes
	Preamplified:	Yes
	Configurable buttons:	Yes
	LED indicators:	Yes
Power requirement	Operating voltage:	24.00V - Hz
Connections	Connectors:	RJ45
	Cable:	J-Type fire-rated
	Daisy-chain:	Yes
	Max number in daisy-chain:	16
	Interlock:	Yes
Functionalities	Priority:	Yes
	Chime tone generator:	Yes
Accessories	Cable included:	Yes
	Cable length (m):	5
Standard compliance	EN54-16 certified:	Yes
	CE marking:	Yes
	CPR number:	0068-CPR-007/2015
Physical specifications	Cabinet/Case Material:	Metal
Size	Height:	44 mm / 1.73 inches
	Width:	203 mm / 7.99 inches
	Depth:	128 mm / 5.04 inches
	Weight:	1.12 kg / 2.47 lbs
Shipping informations	Package Height:	154 mm / 6.06 inches
	Package Width:	434 mm / 17.09 inches
	Package Depth:	174 mm / 6.85 inches
	Package Weight:	1.12 kg / 2.47 lbs



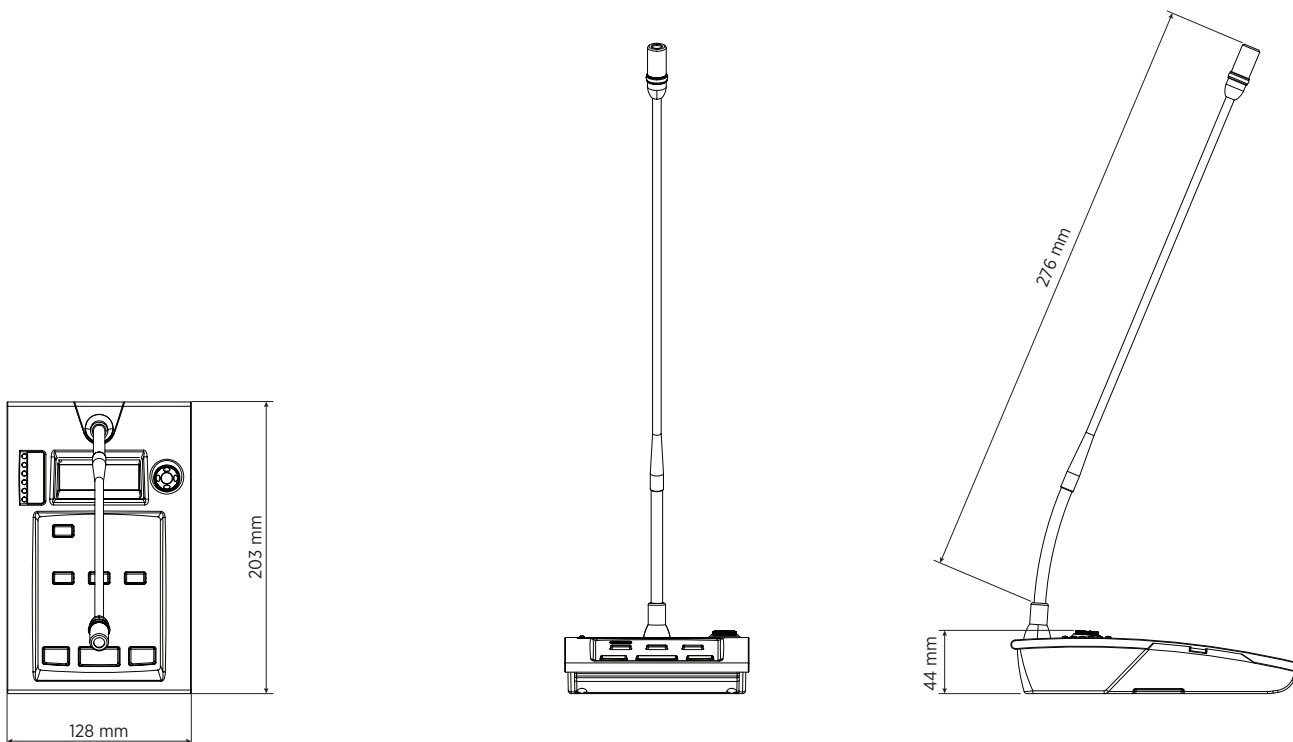
PART NUMBER

- **14380024**

BM 9804

EAN 8024530007690

DRAWINGS



PANELS

Front panel

