

# TX 4016

## UHF WIRELESS MICROPHONE - DIVERSITY SYSTEM

### DESCRIPTION

The UHF wireless microphone 4000 series has 144 individual channels. The channels are divided into 12 groups, each with 12 different frequencies. The 4000 series can work with 16 individual channels active at the same time.

Using extremely performance antenna, the RX 4016 receiver allow getting a very wide radio cover. The internal display show different information's such as: frequency, audio signal level, radio signal level, mute and battery level. The diversity circuit and the squelch control complete the high level functions and specification of the 4000 series wireless microphone system.

TX 4016 kit consists of: -- a RX 4016 receiver (with AC / DC adapter, 2 antennas and a 1.5 m cable with 1/4" jack plugs) -- a TX 4000 transmitter / handheld dynamic microphone



### FEATURES

- Friendly user interface with front panel LCD display
- Auto-scan function for easy operation
- RF signal switching 'diversity' control
- 3 output level selection
- Squelch control
- PLL (phase-locked loop) UHF
- Use of up to 16 channels / frequencies (out of 144) simultaneously
- Soft-touch painting for comfortable use
- 3 RF output power level selection
- Mute function

**TECHNICAL SPECIFICATIONS****Microphone specifications**

Type:	Handheld wireless microphone
Frequency Response (-3dB):	50 Hz ÷ 50 kHz
Signal / Noise ratio @1kHz:	90.00 dB
Total harmonic distortion @1 kHz:	0.80%
Banda:	UHF, 638 MHz ÷ 662 MHz

**Power requirement**

Operating voltage:	15.00V ~ Hz
--------------------	-------------

**Connections**

Connectors:	JACK
-------------	------

**Standard compliance**

CE marking:	Yes
-------------	-----

**Physical specifications**

Color:	Black
--------	-------

**Size**

Height:	44 mm / 1.73 inches
Width:	210 mm / 8.27 inches
Depth:	155 mm / 6.1 inches
Weight:	1.2 kg / 2.65 lbs

**Shipping informations**

Package Height:	60 mm / 2.36 inches
Package Width:	270 mm / 10.63 inches
Package Depth:	390 mm / 15.35 inches
Package Weight:	1.5 kg / 3.31 lbs

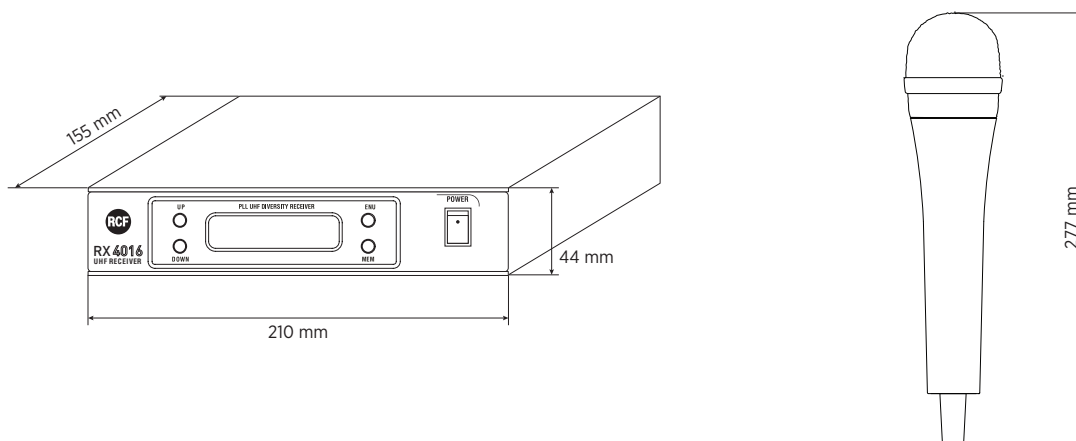
**PART NUMBER**

- **14250008**

TX 4016

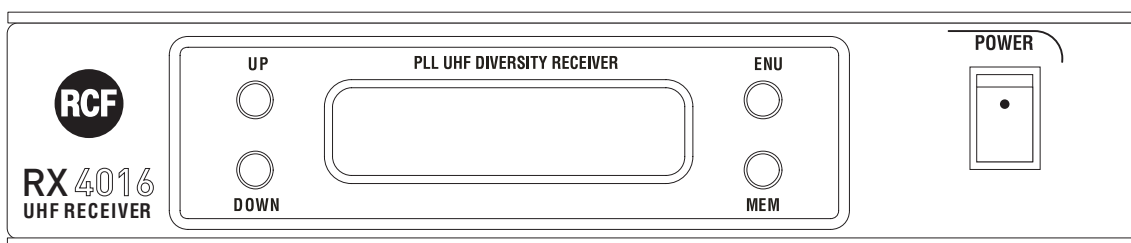
EAN 8024530006976

**DRAWINGS**



**PANELS**

Front panel



Rear panel

