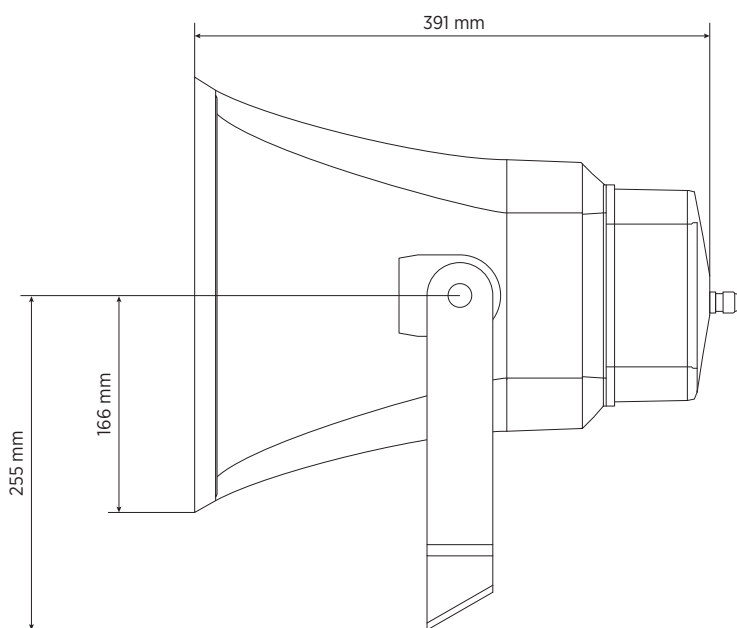
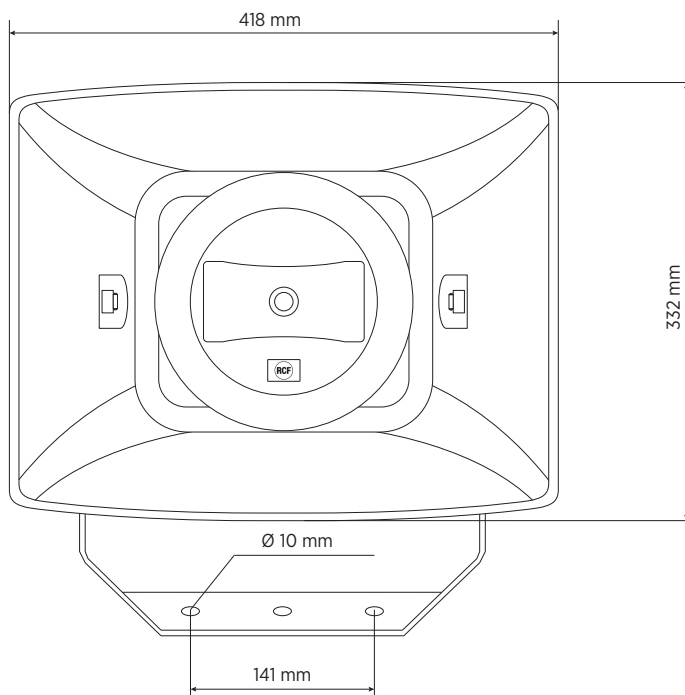


## DRAWINGS



# SCHEMATICS

