

MB12X301

MID - BASS

DESCRIPTION

The MB12X301 is designed to provide an excellent frequency response linearity with very low distortion.

A strong magnetic structure guarantee dynamic and precision. The new dual forced hyper-venting system guarantee a very efficient voice coil ventilation for minimum power compression and incredible power handling. M-roll surround, exponential cone geometry and spider design offer great linearity and precise reproduction.



FEATURES

- 3-inch, fibreglass inside/outside copper voice coil
- 1000W continuous program power handling
- 98.0 dB Sensitivity
- 45 Hz - 2.5 kHz Frequency range
- Dual Forced Hyperventing System
- M-roll surround and exponential cone geometry

TECHNICAL SPECIFICATIONS

General specifications

Nominal Diameter:	12 inch / 305 mm
Rated Impedance:	8 ohm
Program Power (watt):	1000 W
Power handling capacity:	500 W
Sensitivity:	98 dB
Frequency range:	45 - 2500 Hz
Effective piston diameter:	260 mm / 10.24 inch
Max. Excursion Before Damage:	39 mm / 1.54 inch
Minimum Impedance (ohm):	6 ohm
Voice Coil Diameter:	3.0 inch / 76 mm
Voice Coil Winding Material:	Copper
Voice Coil Length:	17 mm / 0.67 inch
Number of layers:	2
Kind of layers:	inside/outside
Top Plate Thickness:	10 mm / 0.39 inch
Cone Design:	Curved
Surround Material:	Polycotton
Surround Design:	M-roll
Magnets:	Ceramic
Hypervented magnetic structure:	Yes
Spider:	Single

Thiele - small parameters

Resonance frequency (Fs):	50 Hz
DC resistance (Re) (ohm):	5.40 ohm
Mechanical factor:	9.00 Qms
Electrical factor:	0.30 Qes
Total factor:	0.29 Qts
Bl factor (Bl) (T x m):	18.00 T x m
Effective moving mass (Mms):	57 gr
Equivalent Cas air loaded (Vas):	70 liters
Effective piston area (Sd):	0.05 m ²
Max. linear excursion (Xmax):	6 mm
Voice coil inductance @ 1kHz (Le1k):	0.60 mH
Half-space efficiency (Eff):	2.80%

Mounting informations

Overall diameter:	320 mm / 12.6 inches
Bolt circle diameter:	293-304 mm / 11.54-11.97 inch
Bolt hole diameter:	7 mm / 0.28 inch
Front mount baffle cut-out:	282 mm / 11.1 inch
Rear mount baffle cut-out:	284 mm / 11.18 inch
Volume occupied by the driver:	2.2 liters / 0.09 ft ³

Standard compliance

CE marking:	Yes
-------------	-----

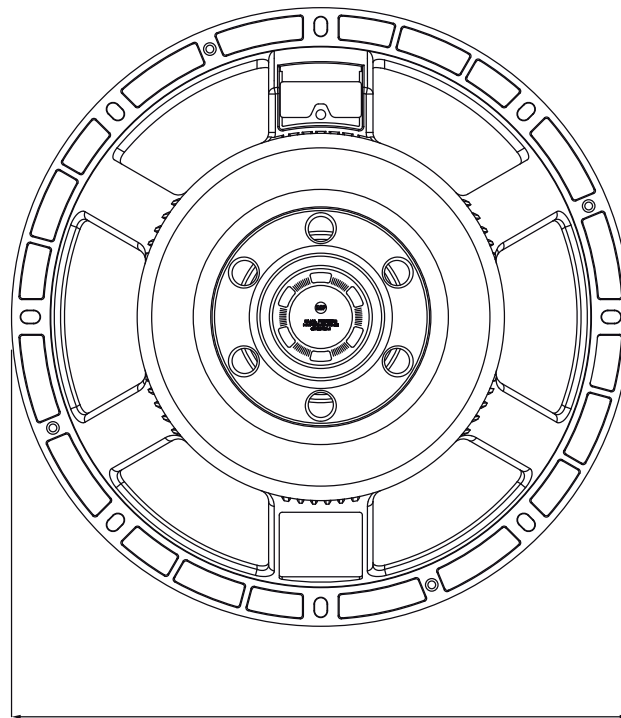


Size	Height:	143 mm / 5.63 inches
	Diameter:	320 mm / 12.6 inches
	Weight:	7.57 kg / 16.69 lbs

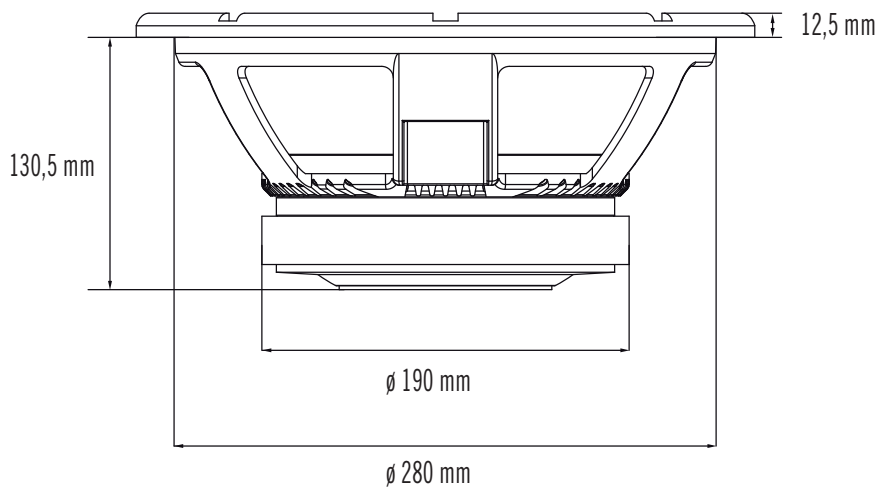
Shipping informations	Package Height:	210 mm / 8.27 inches
	Package Width:	360 mm / 14.17 inches
	Package Depth:	360 mm / 14.17 inches
	Package Weight:	8.51 kg / 18.76 lbs

PART NUMBER

- **11100105**
MB12X301
8ohm



ø 320 mm



130,5 mm

12,5 mm

ø 190 mm

ø 280 mm

