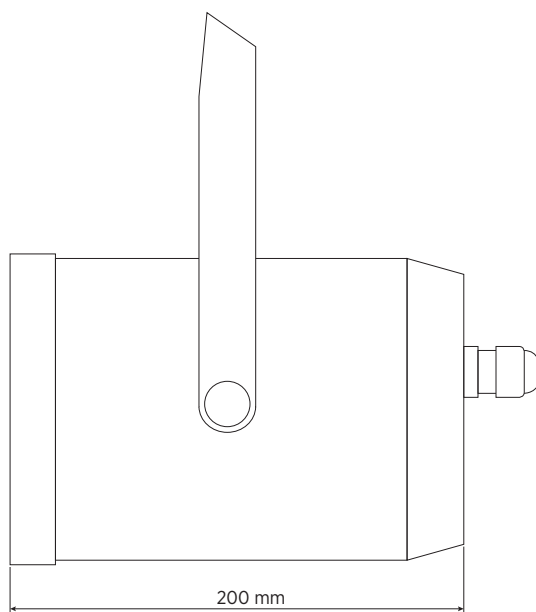
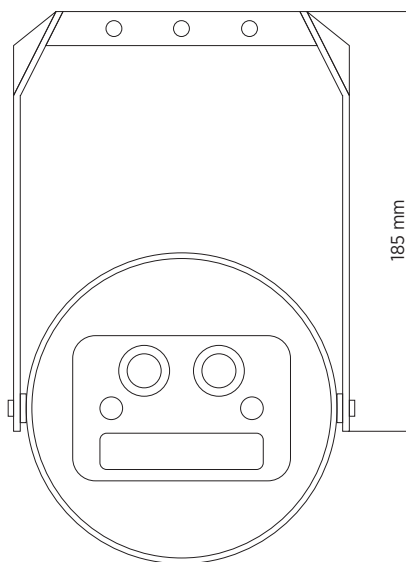
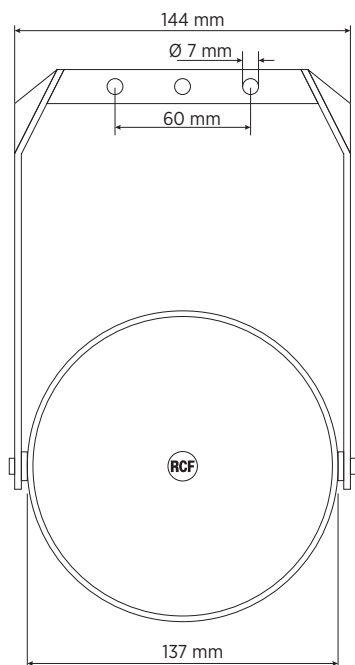


DRAWINGS



SCHEMATICS

