



C 5212-96

TWO-WAY PASSIVE SPEAKER



Description The C5212-96 is a full range extremely narrow dispersion two-way loudspeaker system for medium throw applications. The high-frequency section is a constant directivity horn loaded to a 1.4" compression driver with a 2.5" diaphragm assembly for smooth, wide dispersion. The 90° x 60° horn design offers higher sensitivity for longer distance applications. The low-frequency transducer is a 12" woofer with a 3" voice coil. The crossover is easily bypassed for bi-amp via a recessed changeover switch.

- Features**
- › 90° x 60° CMD (Coverage Matching Design) constant directivity horn
 - › 1.4" compression driver with 2.5" diaphragm assembly
 - › 12" woofer with 3" voice coil
 - › Dual-function design: built in passive crossover or external bi-amp
 - › Rotatable Horn System for horizontal cabinet mounting applications
 - › HF driver AMCDP (Active Mosfet Compression Driver Protection)
 - › LICC (Low Impedance Compensated Crossover) network

Part Number 13000306 C 5212-96 8ohm Black EAN 8024530009243



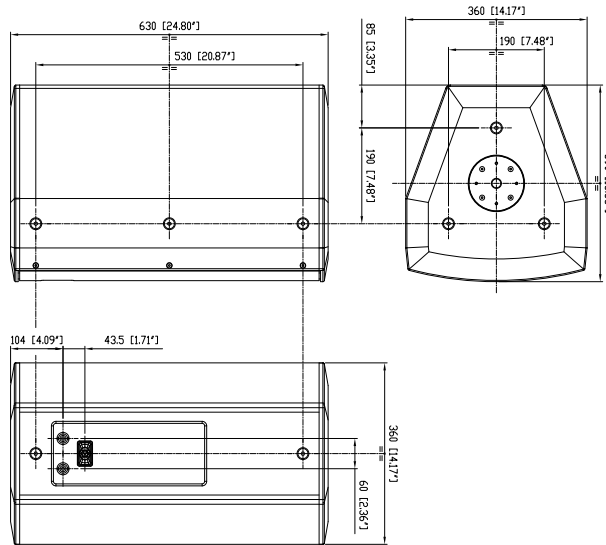
C 5212-96

TWO-WAY PASSIVE SPEAKER

C5212 NEW



Line Art 2D



TECHNICAL SPECIFICATIONS

Acoustical specifications	Frequency Response (-10dB)	54 Hz ÷ 20000 Hz
	Max SPL @ 1m	132 dB
	Horizontal coverage angle	90°
	Vertical coverage angle	60°
	Directivity index Q	13
	System Sensitivity	99 dB
Power section	Amplification	Full Range
	Nominal Impedance	8 ohm
	Power Handling	500 W
	Peak Power Handling	2000 W PEAK
	Protections	Dynamic active mosfet
	Crossover Frequencies	1200 Hz
Transducers	Recommended Amplifiers	QPS 10K, QPS 6.0K, IPS 5.0K, IPS 2.5K, IPS 1.5K
	Compression Driver	1.4", 2.5" v.c
Input/Output section	Woofer	12", 3.0" v.c
	Input connectors	Speakon® NL4
Standard compliance	Output connectors	Speakon® NL4
	Safety agency	CE compliant
Physical specifications	Hardware	14 x M10, multiplates (top and bottom)
	Color	Black
Size	Weight	30 kg / 66.14 lbs

ACCESSORIES

Rigging / Mounting	FL-BR NC 12-15	13360201	8024530007478
	H-BR 2X NC12	13360192	8024530007393
	V-BR 2X NC12	13360197	8024530007447