



# CMR-S 60T

CEILING SUBWOOFER



**Description** CMR-S 60T is a ceiling subwoofer, suitable for a wide range of applications. Thanks to its elegant and discreet design and refined finishes, it is suitable for all environmental and architectural conditions. Featuring a 6.5" woofer and 80 W RMS power, it is also equipped with a transformer for connection to constant voltage lines (70/100 V). The high quality of its transducer guarantees faithful and precise low frequencies reproduction and allows to reach truly remarkable sound pressure levels for such compact product. The connection is simple and safe thanks to the removable four-pole screw terminals. The front grille is fixed by magnets and can therefore be easily removed to access the power rotary switch (the line transformer allows selection among five power rates).

- Features**
- › 80 W RMS power handling
  - › 109 dB max SPL
  - › 45 ÷ 250 Hz frequency range
  - › 180° omnidirectional coverage angle
  - › 6.5" high power woofer, 1.5" v.c.
  - › Self extinguishing plastic body and metal backcan
  - › Steel magnetic front grille
  - › 4 pole EUROBLOCK connector (audio input and parallel link output)
  - › 5 different power levels selectable

**Part Number** 13100112 CMR-S 60T W

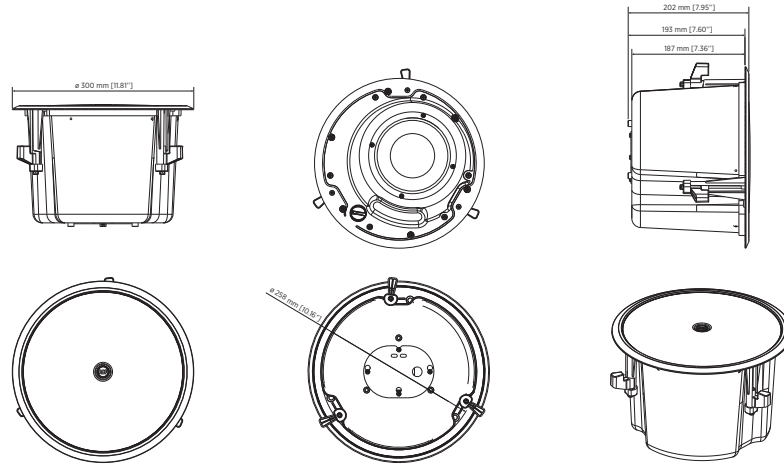
White - RAL 9003 EAN 8024530022259



# CMR-S 60T

CEILING SUBWOOFER

Line Art 2D



## TECHNICAL SPECIFICATIONS

<b>Acoustical specifications</b>	Frequency Response (-10dB)	45 Hz - 250 Hz
	Max SPL @ 1m	109 dB
	Coverage angle	180°
	System Sensitivity	89 dB
<b>Power section</b>	Amplification	Full Range
	Nominal Impedance	8 ohm
	Power Handling	80 W RMS
	Peak Power Handling	320 W PEAK
	Protections	Bulb lamp
	Recommended Amplifiers	XPS SERIES, KPS SERIES, DMA SERIES
<b>Transducers</b>	Woofer	1 x 6.5", 1.5" v.c
<b>Input/Output section</b>	Input connectors	Euroblock
	Output connectors	Euroblock
	Constant Voltage Transformer	70/100 V
	Power selection 1	80 W - 125 ohm
	Power selection 2	40 W - 250 ohm
	Power selection 3	20 W - 500 ohm
	Power selection 4	10 W - 1000 ohm
	Power selection 5	5 W - 2000 ohm
<b>Standard compliance</b>	Safety agency	CE compliant
<b>Physical specifications</b>	Cabinet/Case Material	ABS
	Hardware	Steel backcan
	Grille	Steel
	Color	White - RAL 9003



# CMR-S 60T

## CEILING SUBWOOFER

Size / Weight	Depth	202 mm / 7.95 inches
	Recessed Depth	193 mm / 7.6 inches
	Diameter	300 mm / 11.81 inches
	Cut out diameter	260 mm / 10.24 inches
	Weight	4.5 kg / 9.92 lbs

### ACCESSORIES

#### Rigging / Mounting

##### FLYING BRACKETS

13360490	MUD RING 4X CMR	EAN 8024530019396
13360489	TILE BRIDGE 4X CMR	EAN 8024530019389

##### GRILLE

13360492	GRILLE KIT 4X CMR B	Black - RAL 9005	EAN 8024530019402
----------	---------------------	------------------	-------------------