



HD 21EN

PLASTIC HORN SPEAKER



Description

HD 21EN is a plastic horn speaker suitable for broadcasting alarm messages thanks to the highly intelligible sound reproduction and its environmental resistance. The terminal connection blocks, for input and output flameproof cables, are made of ceramic material. A thermal fuse protects the integrity of the line in case of heat affecting the speaker. It can be easily aimed towards any direction through the adjustable wall-mount bracket, and thanks to its IP66 protection grade it can be installed both indoor and outdoor.

Features

- › 1.5" compression driver.
- › Power selectable (100 V): 30 W - 15 W - 7.5 W - 3.75 W.
- › 104 dB sensitivity.
- › Colour grey RAL 7035.
- › Plastic body.
- › In/out ceramic terminal block.
- › Thermal fuse protection.
- › Protection grade IP66.

Part Number

13133075 HD 21EN

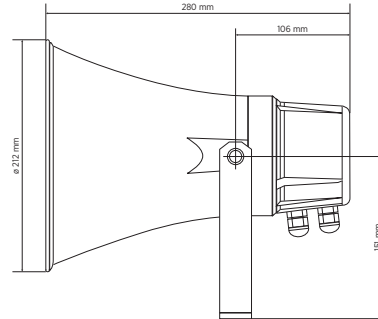
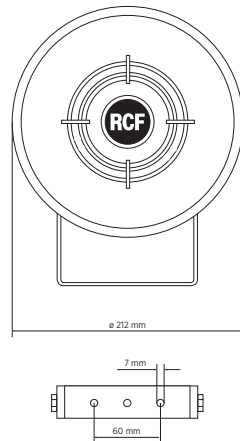
Grey - RAL 7035 EAN 8024530010461



HD 21EN

PLASTIC HORN SPEAKER

Line Art 2D



TECHNICAL SPECIFICATIONS

Acoustical specifications

Frequency Response (-10dB)	340 Hz ÷ 9000 Hz
Max SPL @ 1m	117 dB
Max SPL @ 4m	105 dB
Coverage angle	135°
System Sensitivity	104 dB
System Sensitivity 1W @ 4m	92 dB

Power section

Power Handling	30 W
Peak Power Handling	120 W PEAK
Protections	Thermal fuse
Recommended Amplifiers	DXT 3000, DXT 4000, DXT 7000

Transducers

Compression Driver	1 x 1.5"
--------------------	----------

Input/Output section

Input connectors	Ceramic screw terminals
Output connectors	Ceramic screw terminals
Constant Voltage Transformer	100 V
Power selection 1	30 W - 333 ohm
Power selection 2	15 W - 667 ohm
Power selection 3	7.5 W - 1333 ohm
Power selection 4	3.75 W - 2667 ohm

Standard compliance

IP protection grade	IP 66
Safety agency	CE compliant
EN54-24 certified	Yes
CPR number	1488-CPR-0652/W

Physical specifications

Cabinet/Case Material	ABS
Hardware	Stainless steel bracket
Color	Grey - RAL 7035

Size

Height	212 mm / 8.35 inches
Depth	280 mm / 11.02 inches
Weight	2.1 kg / 4.63 lbs