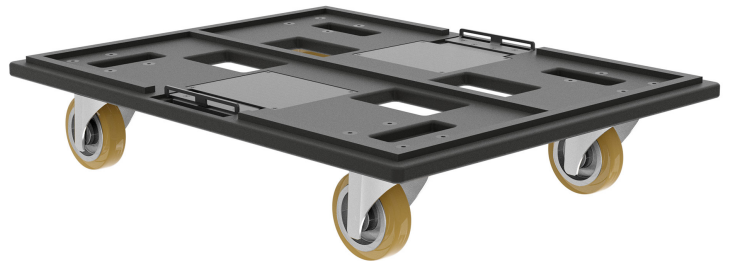


KRT-WH TTS 15

KART

DESCRIPTION

Detachable front wheel board including 4 x 100 mm wheels. Subwoofer not included



FEATURES

- TT+ Accessories and software

TECHNICAL SPECIFICATIONS

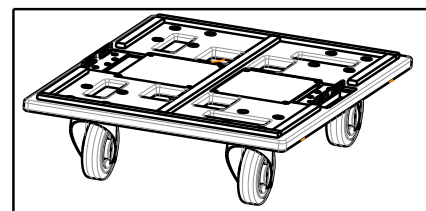
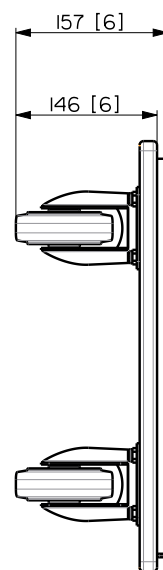
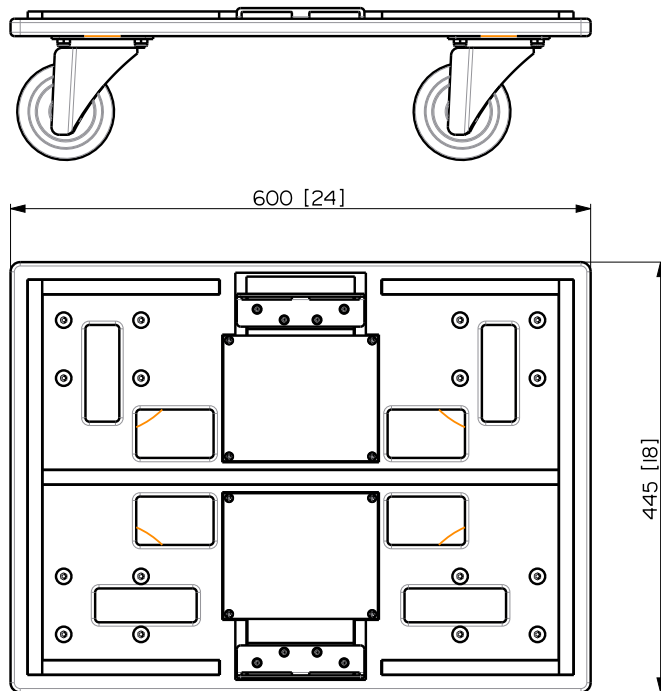
General specifications	Wheels Color	Yellow
	Wheels Diameter	100 mm
Standard compliance	CE marking:	Yes
Physical specifications	Cabinet/Case Material:	Baltic birch plywood
	Color:	Black
Size	Height:	157 mm / 6.18 inches
	Width:	600 mm / 23.62 inches
	Depth:	445 mm / 17.52 inches
	Weight:	9.3 kg / 20.5 lbs
Shipping informations	Package Height:	200 mm / 7.87 inches
	Package Width:	460 mm / 18.11 inches
	Package Depth:	625 mm / 24.61 inches
	Package Weight:	12.2 kg / 26.9 lbs

PART NUMBER

- **13360383**

KRT-WH TTS 15

EAN 8024530014995



KART WITH WHEELS KRT-WH TTS 15

REV.
A