

# M 602

## TWO-WAY PASSIVE SPEAKER

### DESCRIPTION

M 602 is a multipurpose two-way twin-woofer full-range speaker system, suitable in a wide range of installations. The compactness, together with the elegant and neutral design with accurate finishing make M 602 suitable for almost any environment and architectural constraint. Available mounting accessories allow you to use the M 602 wall or ceiling mounted, with reference to the several possible applications.

The M 602 has a controlled coverage through its twin 6" and the precise constant directivity horn. The SPL and the level of undistorted sound the M 602 can reach is far above any expectation from such a compact solution. The M 602 features high sensitivity thanks to the use of oversized magnets and a comfortable sound quality with smooth and wide frequency response performed thanks to the Kapton diaphragm compression driver loaded with a constant directivity horn. The LICC crossover design includes an electronic protection on high frequency device.



### FEATURES

- High Quality 2-way passive loudspeaker
- 2 x 6.5" woofer, vented
- 1 x 1" in driver, on 90°x90° CD horn
- High Power Handling 'Low Impedance Compensated Crossover', with electronic protection for the driver
- 120W AES power handling
- Steel Front Grille with robust double mesh polyester clothing
- Rotatable RCF front logo
- Installation points are available on the rear panel, top and bottom
- All models have a 4-pin EUROBLOCK connector (audio input and parallel link output)

## TECHNICAL SPECIFICATIONS

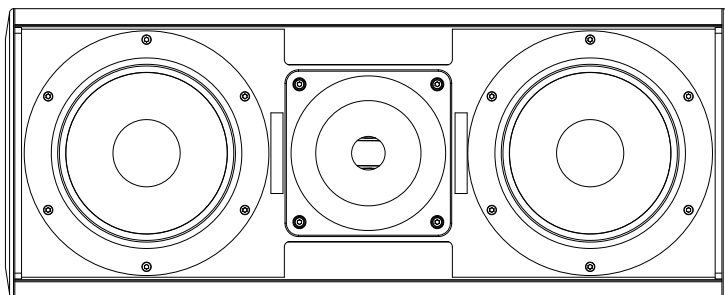
<b>Acoustical specifications</b>	Frequency Response (-10dB):	70 Hz ÷ 20000 Hz
	Max SPL @ 1m:	122 dB
	Horizontal coverage angle:	90°
	Vertical coverage angle:	90°
	Directivity index Q:	10
	System Sensitivity:	95 dB
<b>Power section</b>	Nominal Impedance:	8 ohm
	Power Handling:	120 W RMS
	Peak Power Handling:	480 W PEAK
	Recommended Amplifier:	240 W
	Protections:	Dynamic active mosfet
	Crossover Frequencies:	2000 Hz
<b>Transducers</b>	Compression Driver:	1.0", 1.5" v.c
	Woofers:	2 x 6.5", 1.5" v.c
<b>Input/Output section</b>	Input connectors:	Euroblock
	Output connectors:	Euroblock
<b>Physical specifications</b>	Cabinet/Case Material:	MDF
	Hardware:	8 x M6, 2 x M10
	Grille:	Steel with robust double mesh polyester clothing
	Color:	Black
<b>Size</b>	Height:	540 mm / 21.26 inches
	Width:	215 mm / 8.46 inches
	Depth:	230 mm / 9.06 inches
	Weight:	11.6 kg / 25.57 lbs
<b>Shipping informations</b>	Package Height:	609 mm / 23.98 inches
	Package Width:	302 mm / 11.89 inches
	Package Depth:	287 mm / 11.3 inches
	Package Weight:	12.6 kg / 27.78 lbs

## PART NUMBER

- **13041012**

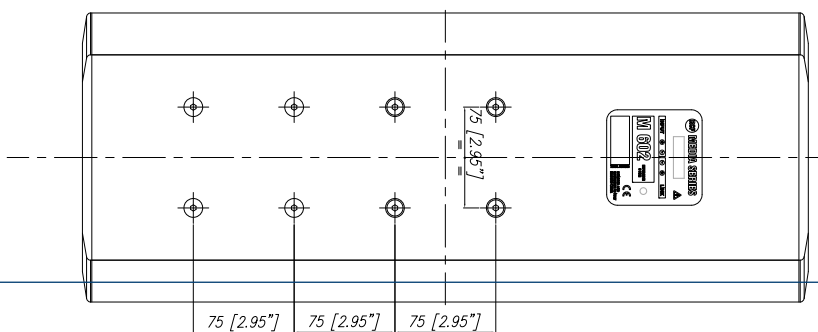
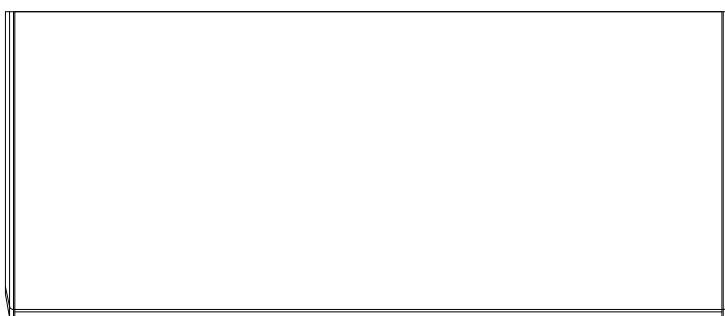
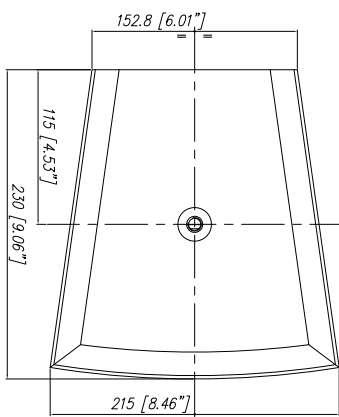
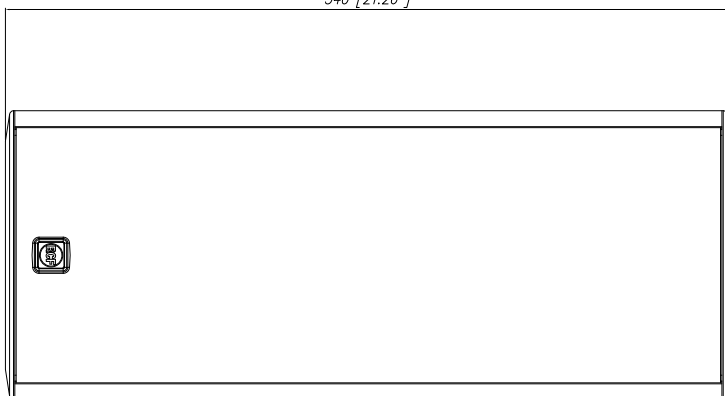
M 602

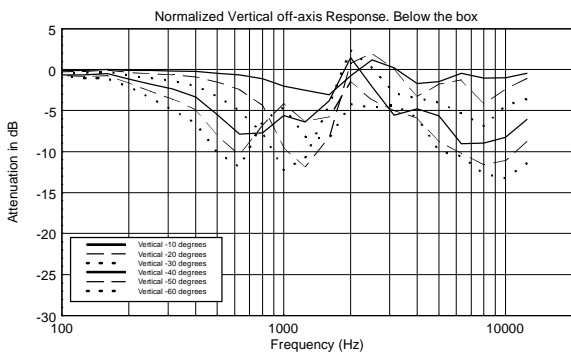
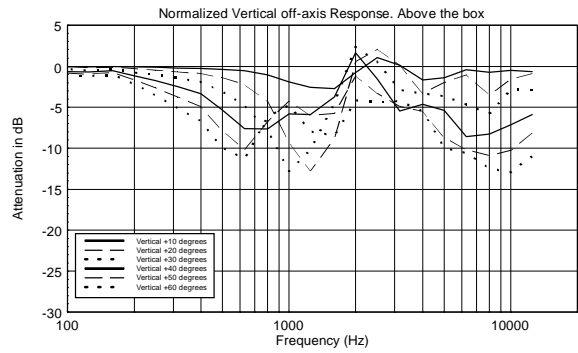
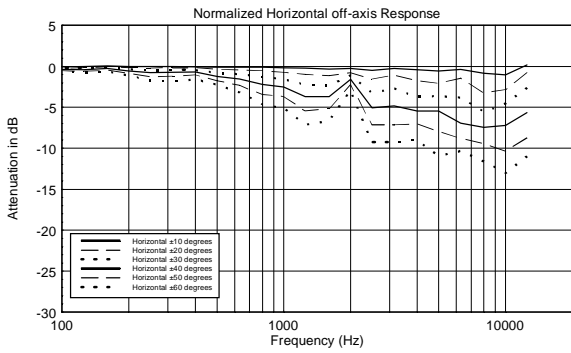
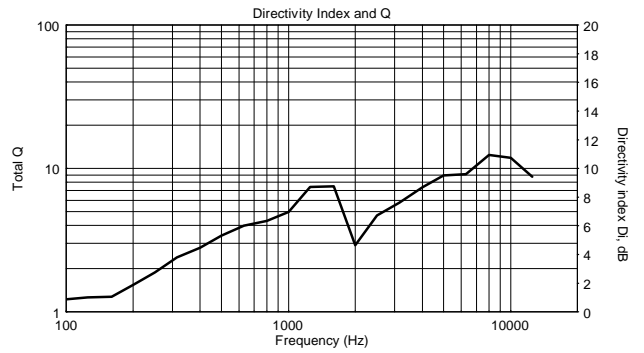
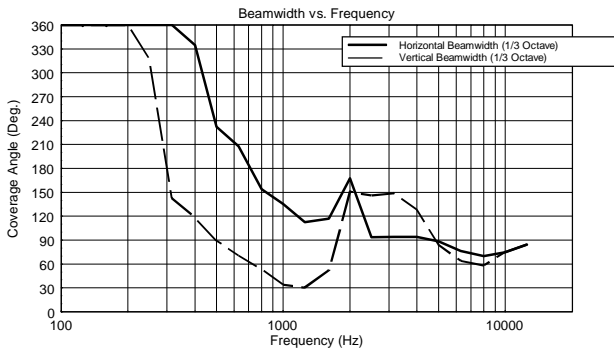
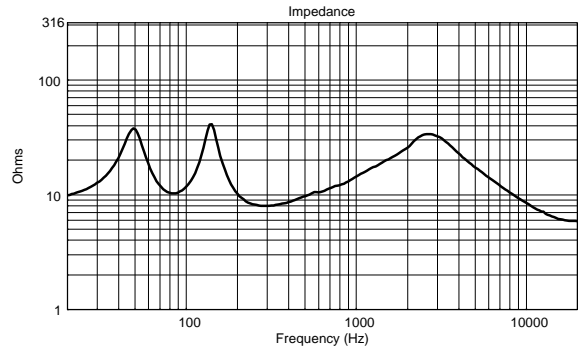
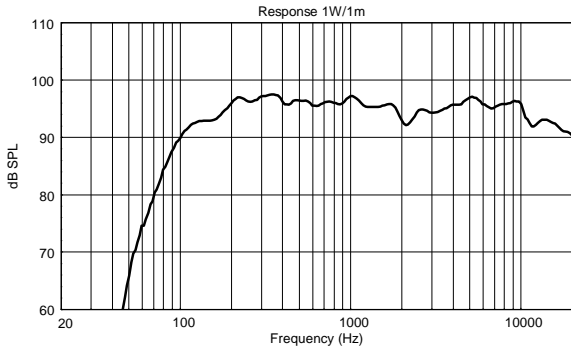
EAN 8024530007553



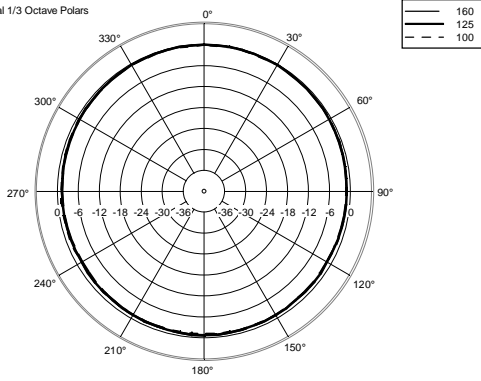
M602

540 [21.26"]

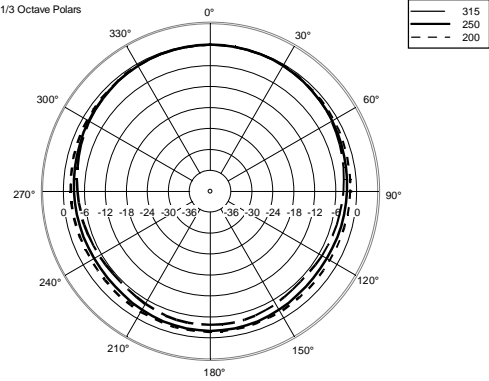




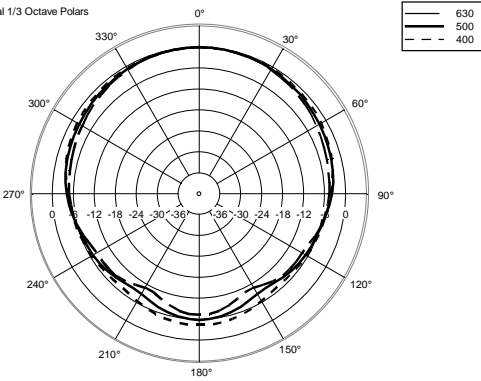
Horizontal 1/3 Octave Polars



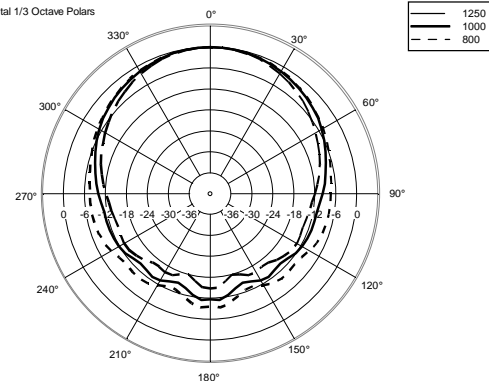
Horizontal 1/3 Octave Polars



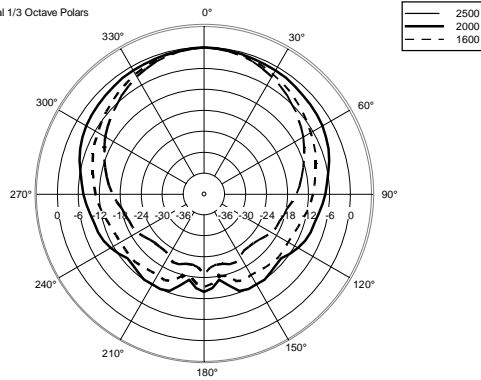
Horizontal 1/3 Octave Polars



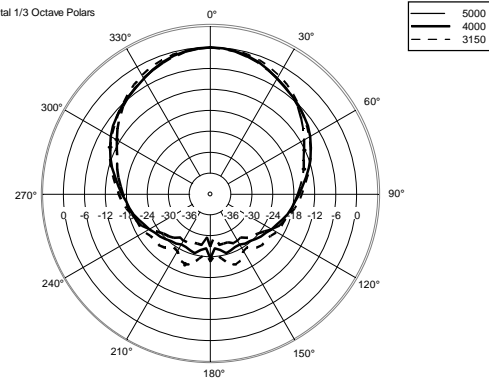
Horizontal 1/3 Octave Polars



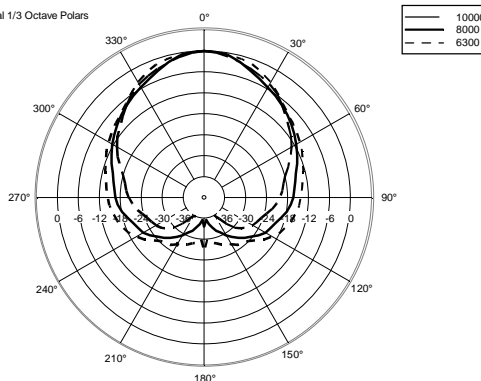
Horizontal 1/3 Octave Polars



Horizontal 1/3 Octave Polars



Horizontal 1/3 Octave Polars



Horizontal One Octave Polars

