



NX 915-A

PROFESSIONAL ACTIVE SPEAKER



Description

NX 915-A is masterfully engineered from the ground up to deliver stellar audio performance for solo musicians, bands, and DJs. The combination of 1.75" compression driver, 15" woofer, two-channel 2100W amplifier, and a constant directivity waveguide produces coherent 100° x 60° coverage for the listening area with up to 131 dB SPL, distortion-free sound. Used stand-alone speaker for FOH system, satellite (with subwoofer), stage monitor, or flown speaker, the NX 915-A blends high-performance and reliability in a compact package. Blending RCF proprietary FIRPHASE and Bass Motion Control DSP processing, NX 9 Series speakers are perfectly tuned for each model, delivering absolute clarity and deep, powerful bass response. The tour-ready, rugged all-wood cabinet is easy to carry and secure to install on a pole-, flown-, wall-, or truss-mounted using the dedicated rigging points available.

Features

- › Up to 131 dB Sound Pressure Level
- › 2100W Class-D Bi-Amplification
- › 45-20000 Hz linear frequency response
- › 1.75" Compression Driver
- › 15" Woofer
- › FIRPHASE zero degrees phase technology
- › Bass Motion Control woofer excursion management

Part Number

13000674 NX 915-A
13000690 NX 915-A

220-240 V
115 V

Black
Black

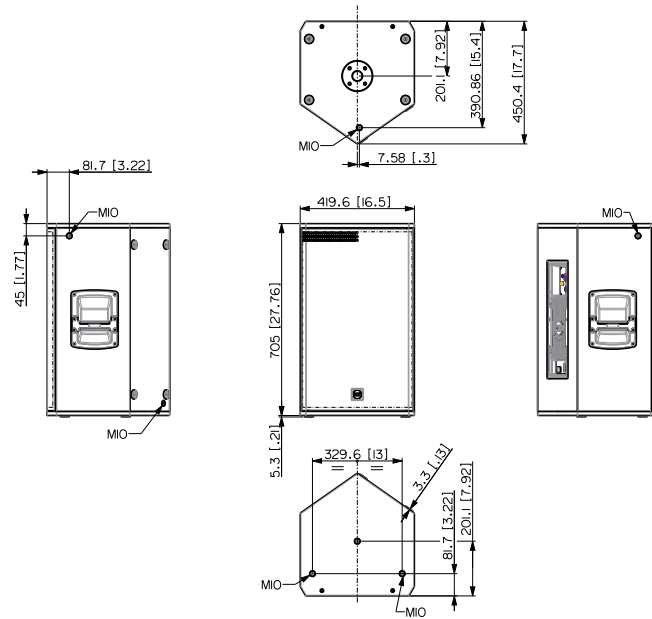
EAN 8024530018979
EAN 8024530019051



NX 915-A

PROFESSIONAL ACTIVE SPEAKER

Line Art 2D



TECHNICAL SPECIFICATIONS

| | | |
|----------------------------------|--------------------------------|--|
| Acoustical specifications | Frequency Response | 45 Hz ÷ 20000 Hz |
| | Max SPL @ 1m | 131 dB |
| | Horizontal coverage angle | 100° |
| | Vertical coverage angle | 60° |
| Transducers | Compression Driver | 1 x 1.0", 1.75" v.c |
| | Woofer | 1 x 15", 2.5" v.c |
| Input/Output section | Input signal | bal/unbal |
| | Input connectors | XLR, Jack |
| | Output connectors | XLR |
| | Input sensitivity | -2 dBu/+4 dBu |
| Processor section | Crossover Frequencies | 1600 Hz |
| | Protections | Thermal, RMS |
| | Limiter | Soft Limiter |
| Power section | Controls | Linear, Boost, Stage, Volume |
| | Total Power | 2100 W Peak |
| | High frequencies | 700 W Peak |
| | Low frequencies | 1400 W Peak |
| Standard compliance | Cooling | Convection |
| | Connections | VDE |
| | Safety agency | CE compliant |
| | Physical specifications | Cabinet/Case Material |
| Hardware | | 2 x M10 Top, 1 x M10 each side, 1 x M10 bottom, 1 x M10 rear |
| Handles | | 1 x Each Side |
| Pole mount/Cap | | 35 mm insert |
| Grille | | Steel |
| Color | | Black |
| Size / Weight | | Height |
| | Width | 420 mm / 16.54 inches |
| | Depth | 451 mm / 17.76 inches |
| | Weight | 24.1 kg / 53.13 lbs |



NX 915-A

PROFESSIONAL ACTIVE SPEAKER

Rigging / Mounting

ACCESSORIES

FLOOR STANDS

13360109 AC PRO-FS Black EAN 8024530006471

FLYING BRACKETS

13360031 AC EB 4X EAN 8024530018870

HORIZONTAL BRACKETS

13360506 2X PLATE H-BR NX 910-912-915 Black EAN 8024530020057

13360535 H-BR 001 Black - RAL 9005 EAN 8024530020743

13360706 HBR60706 Black - RAL 9005 EAN 8024530023119

13360702 PLT60702 Black EAN 8024530023089

POLE MOUNT KITS

13360232 AC PMX EAN 8024530010058

13360110 AC PRO-PM Black EAN 8024530006488

13360067 PM-KIT M20 Black EAN 8024530014599

Protections

COVERS

13360705 CVR60705 Black EAN 8024530023102

Cables

CABLES KIT

13360102 AC XLR 3M3F EAN 8024530006402