

OWNER MANUAL

TTS56-A

HIGH OUTPUT ACTIVE
SUBWOOFER





ENGLISH	4
ITALIANO	14
FRANÇAIS	24



1. All the precautions, in particular the safety ones, must be read with special attention, as they provide important information.

2. POWER SUPPLY FROM MAINS

- a. The mains voltage is sufficiently high to involve a risk of electrocution; install and connect this product before plugging it in.
- b. Before powering up, make sure that all the connections have been made correctly and the voltage of your mains corresponds to the voltage shown on the rating plate on the unit, if not, please contact your RCF dealer.
- c. The metallic parts of the unit are earthed through the power cable. An apparatus with CLASS I construction shall be connected to a mains socket outlet with a protective earthing connection.
- d. Protect the power cable from damage; make sure it is positioned in a way that it cannot be stepped on or crushed by objects.
- e. To prevent the risk of electric shock, never open this product: there are no parts inside that the user needs to access.
- f. "POWER ON" switch is a disconnecting device from AC main power and must be easily accessible after the installation and during the using of equipment.

3. Make sure that no objects or liquids can get into this product, as this may cause a short circuit.

This apparatus shall not be exposed to dripping or splashing. No objects filled with liquid, such as vases, shall be placed on this apparatus. No naked sources (such as lighted candles) should be placed on this apparatus.

4. Never attempt to carry out any operations, modifications or repairs that are not expressly described in this manual.

Contact your authorized service centre or qualified personnel should any of the following occur:

- The product does not function (or functions in an anomalous way).
- The power cable has been damaged.
- Objects or liquids have got in the unit.
- The product has been subject to a heavy impact.

5. If this product is not used for a long period, disconnect the power cable.

6. If this product begins emitting any strange odours or smoke, switch it off immediately and disconnect the power cable.

7. Do not connect this product to any equipment or accessories not foreseen.

For suspended installation, only use the dedicated anchoring points and do not try to hang this product by using elements that are unsuitable or not specific for this purpose. Also check the suitability of the support surface to which the product is anchored (wall, ceiling, structure, etc.), and the components used for attachment (screw anchors, screws, brackets not supplied by RCF etc.), which must guarantee the security of the system / installation over time, also considering, for example, the mechanical vibrations normally generated by transducers.

To prevent the risk of falling equipment, do not stack multiple units of this product unless this possibility is specified in the user manual.

8. RCF S.p.A. strongly recommends this product is only installed by professional qualified installers (or specialised firms) who can ensure correct installation and certify it according to the regulations in force.

The entire audio system must comply with the current standards and regulations regarding electrical systems.

9. Supports and trolleys

The equipment should be only used on trolleys or supports, where necessary, that are

IMPORTANT



recommended by the manufacturer. The equipment / support / trolley assembly must be moved with extreme caution. Sudden stops, excessive pushing force and uneven floors may cause the assembly to overturn.

10. There are numerous mechanical and electrical factors to be considered when installing a professional audio system (in addition to those which are strictly acoustic, such as sound pressure, angles of coverage, frequency response, etc.).

11. Hearing loss

Exposure to high sound levels can cause permanent hearing loss. The acoustic pressure level that leads to hearing loss is different from person to person and depends on the duration of exposure. To prevent potentially dangerous exposure to high levels of acoustic pressure, anyone who is exposed to these levels should use adequate protection devices. When a transducer capable of producing high sound levels is being used, it is therefore necessary to wear ear plugs or protective earphones. See the manual technical specifications to know the maximum sound pressure level.

IMPORTANT NOTES

To prevent the occurrence of noise on line signal cables, use screened cables only and avoid putting them close to:

- Equipment that produces high-intensity electromagnetic fields.
- Power cables.
- Loudspeaker lines.

IMPORTANT NOTES



OPERATING PRECAUTIONS



OPERATING PRECAUTIONS

- Place this product far from any heat sources and always ensure an adequate air circulation around it.
- Do not overload this product for a long time.
- Never force the control elements (keys, knobs, etc.).
- Do not use solvents, alcohol, benzene or other volatile substances for cleaning the external parts of this product.

IMPORTANT NOTES

Before connecting and using this product, please read this instruction manual carefully and keep it on hand for future reference. The manual is to be considered an integral part of this product and must accompany it when it changes ownership as a reference for correct installation and use as well as for the safety precautions. RCF S.p.A. will not assume any responsibility for the incorrect installation and / or use of this product.

WARNING: to prevent the risk of fire or electric shock, never expose this product to rain or humidity.

IMPORTANT NOTES



WARNING





TT+ HIGH DEFINITION TOURING AND THEATRE

RCF TT+ represents another prominent chapter in the long history of RCF Sound Systems. Whether a speaker system is designed for live sound or large concert situations as well as permanent installed theatre sound applications, the paying customer now expects a level of audio fidelity and intelligibility of such a standard unsurpassed by previous generations.

This requirement has fostered the need for Audio Professionals to be able to offer a range of speaker systems combined with dedicated Processing and Amplification Technologies that are superior in Acoustic Performance and Control Technology.

RCF TT+ offers ready to use solutions and tools in true active high definition speaker systems.

INNOVATION INTEGRATION INTENSITY

Innovation. Our research and engineering faculty can today offer innovative projects with finite control of each detail, from the loudspeaker voice coil wire to the highly efficient extended dynamic amplifier topology. There are many different ingredients that go into creating quality products and systems. These include computer aided simulation software to assist the understanding of transducer behaviour and amplifier operation and the relationship of dynamics and transient response. RCF utilise over thirty state of the art software packages to identify magnetic circuits, voice coil dynamics, suspension linearity, horn dispersion simulation, crossover filters, amplifier thermal behaviour etc.

Integration. RCF is one of only a few loudspeaker manufacturers worldwide who have the ability to completely design and manufactures transducers, speaker systems and amplification and control electronics. Our 50 plus years heritage in Audio combined with our state of the art research and development and manufacturing processes allows us to seamlessly integrate all the ingredients to design and build TT+.

Intensity. The design philosophy for the new TT+ series is based upon offering the sound engineer solutions and tools that are ready to use. Key factors are the ability to sustain very high power with highly efficient sound pressure levels. Intense sound levels are created with extremely high definition and extended dynamic range. Modern construction materials result in mechanical weight ratios that are light for practical flying and portability.

TTS56-A, HIGH OUTPUT SUBWOOFER

The TTS56-A is a high power, high output active subwoofer system that sets a new standard in the touring and theatre sound reinforcement. Each transducer has been specifically designed for the application. The woofer provides large excursion and very light weight.

The TTS56-A two 21" woofers features:

- lightweight, high force, neodymium magnet assembly.
- 115 mm diameter, 33 mm length, inside-outside copper voice coil.
- Silicon reinforced double spiders.
- Carbon fiber doped, water resistant treated cone.
- Complex ventilation system for minimum power compression.

The TTS56-A input section provides:

- IN/OUT XLR connectors.
- Crossover Output XLR connector.
- System sensitivity control (linear potentiometer) (-2 dBu ~ +10 dBu).
- Crossover set-up (60 Hz - 80 Hz).
- Low frequencies high pass set-up (30 Hz - 45 Hz).
- Delay set-up rotary switch.
- Cardioid set-up switch.
- By-pass switch.
- RDNet input output Ethercon connectors.
- 4 status LEDs.

TT+ HIGH DEFINITION TOURING AND THEATRE

INNOVATION

INTEGRATION

INTENSITY

TTS56-A, HIGH OUTPUT SUBWOOFER

The TTS56-A amplifier section features:

- 2 x 3400 Watt Digital amplifier modules with 2 x PFC circuits.
- 7 x cooling speed controlled fans.
- Powercon AC input connector.
- Vibrostop floating aluminum panel.

REAR PANEL



- 1 Main signal XLR input (bal/unbal). The system accept female XLR input connectors and line-level signals from a mixing console or other signal source.
- 2 Signal link XLR output. The output XLR male connector provides a loop trough for speakers daisy chaining.
- 3 Xover signal output. The output XLR male connector provides a crossover high passed signal (24 dB/octave) for satellites speakers.
- 4 Input sensitivity. Controls the overall signal level at the input to the power amplifier. The control ranges from + 10 dBu (maximum attenuation) to the -2 dBu sensitivity (maximum input gain). The centre detent is +4 dBu (nominal level required to drive the amplifier at maximum power).
- 5 Xlow cut 30/45 Hz. This switch provides an high pass 24 dB/octave filtering at 30 or 45 Hz. This is really useful for indoor situations (no very low frequencies that can create resonant sound) or when all the power shall be used in the 45 Hz - 100 Hz range.
- 6 Xover 60/90 Hz. Provides 24 dB/octave low-pass filtering at 80 Hz if released, at 110 Hz if pressed. The same crossover frequency in high-pass is available from XOVER OUTPUT XLR.
- 7 Time delay encoder. This encoder provides a time delay setting expressed in meters.
- 8 Time delay display. Display the time delay setting.
- 9 Power indicator. When the power cord is connected and the power switch is turned on this indicator lights green.
- 10 Status indicator. The status indicator blink orange if the main amplifier or power supply

is in faulty condition. If the status indicator lights orange, switch off the amplifier and call the closest RCF service centre.

- 11 Signal indicator. The signal indicator lights green if there is signal present on the main XLR input.
- 12 Limiter indicator. The amplifier has a built in compressor/limiter circuit to prevent clipping of the amplifiers or overdriving the transducers. When the compressor is active the led is blinking yellow. When the soft clipping circuit is active the LED blinks orange. It is okay if the limit LED blinks occasionally. If the LED blinks frequently or lights continuously, turn down the signal level. The amplifier has a built in RMS limiter. If the RMS limiter is active the LED lights red. The RMS limiter has the purpose to prevent damages the transducers. The speaker shall never be used with the limit indicator red, continuously. Continuous operation with the RMS protection active can cause damages to the speaker.
- 13 Cardioid set-up switch. This switch provides a special equalisation and delay setting to create a cardioid pattern when the system is used in conjunction with two other TTS56-A modules.
- 14 By pass switch. Pressing this switch it is possible to by-pass the input panel and apply the RDNet user setting preloaded on the module.
- 15 Data input Ethercon connector. RDNet Input CAT5 Ethercon connector.
- 16 Data link Ethercon connector. RDNet Link CAT5 Ethercon connector.
- 17 Link led. This green led is on if the module is addressed from the RDNet controller
- 18 Active led. This green led is blinking if the RDNet communication is active.



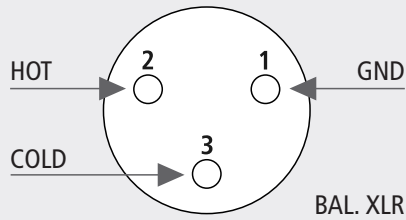
- 19 Power main switch. The power switch turns the AC power ON and OFF. Make sure that the sensitivity is set to +10 dBu when you turn on the speaker.
- 20 AC POWERCON receptacle. RCF TT+ series uses a POWERCON locking 3-pole AC mains. Always use the specific power cord provided in the package.

The XLR connectors use the following AES standard:

PIN 1 = GROUND (SHIELD)

PIN 2 = HOT (+)

PIN 3 = COLD (-)



At this point you can connect the power supply cable and the signal cable, but before turning on the speaker make sure that the volume control is at the minimum level (even on the mixer output). It is important that the mixer is already ON before turning on the speaker. This will avoid damage to the speakers and noisy "bumps" due to turning on parts on the audio chain. It is a good practice to always turn on speakers at last and turn them off immediately after the show.

Now you can turn ON the speaker and adjust the volume control to a proper level.

The delay is expressed in meters. The delay resolution is 0.1 up to 10 meters and 1 from 10 to 20 meters.

To set the system time delay push the delay encoder and rotate it until the wanted setting is displayed. Push the encoder again to confirm the setting.

CONNECTIONS

BEFORE CONNECTING THE SPEAKER

TIME DELAY SETTING



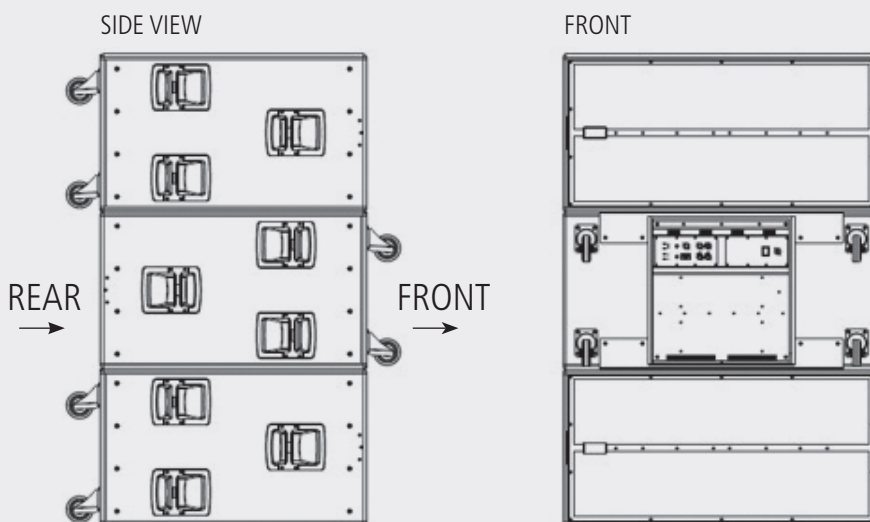
CARDIOID SET-UP



It is possible to create subwoofer cardioid systems using **groups of three modules**.

A group is made of three modules, the group shall be made as follow:

- 2 modules pointing in forward direction, cardioid switch released.
- 1 module pointing in backward direction, cardioid switch pressed.
- All 3 modules shall have the same settings (SYSTEM DELAY, SENSITIVITY, X-LOW CUT, X-OVER,...).



RDNet CONNECTION

The system is equipped with an RDNet connection on board.

Using an RDNet controller unit it is possible to:

- receive status information from the system (amplifiers status, signal levels, system settings,...).
- Send commands to the system (mute, solo, change sensitivity, change setting, set user eq, ...).
- See the RDNet user manual for details.

RDNet BY-PASS SWITCH

When the RDNet is present and the RDNet LINK LED is green the controller takes control over the module **independently of the BY-PASS SWITCH position**.

When the **RDNet is not present**, the BY-PASS switch act as follow:

- **BY-PASS SWITCH pressed** (LED ON): the system bypass the input board and reads the RDNet user settings (**last configuration saved**).
- **BY-PASS SWITCH released** (LED OFF): the system **reads the input board** and bypass the user setting eventually loaded on the speaker (last configuration eventually saved).

TTS56-A DEFAULT CONFIGURATION

The TTS56-A **factory default configuration** (the configuration that the system reads if the BY-PASS switch is pressed) is the following:

Sensitivity	+4 dBu
High pass	30 Hz
Low pass	90 Hz
Cardioid	OFF
Delay	0
Bypass	OFF
User filters	ALL FLAT

If the user set with RDNet a new configuration, the new configuration will be recalled when the BY-PASS switch is pressed.

BY-PASS SWITCH	RDNet	BY-PASS LED	FUNCTION
ON	ON	ON	Reads RDNet settings
OFF	ON	OFF	Reads RDNet settings
ON	OFF	ON	Reads last saved used configuration
OFF	OFF	OFF	Reads input panel

RDNet CONNECTION

RDNet BY-PASS SWITCH

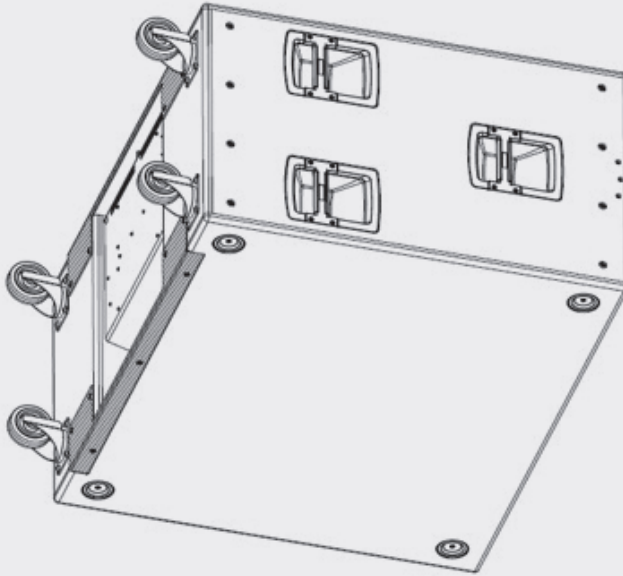
TTS56-A DEFAULT CONFIGURATION

The subwoofer system is equipped with **4 x 100 mm blue rubber wheels** on the back of the cabinet for transportation.

Three aluminium die cast handles with rubber hand-grip are available on each side of the speaker system.

The outdoor quality, Baltic birch plywood, cabinet is protected with heavy duty, scratch resistant, polyurea coating.

Two black coated **steel bars** are provided on the back of the cabinet for **fork lift transportation**.



INSTALLATION



WARNING: never suspend TT+ speakers by there handles. Handles are intended for transportation, not for rigging.

WARNING: always make sure that the maximum current requirement does not exceed the maximum admitted POWERCON current. In case of doubt call the closest RCF service centre.

MAINS SUPPLY

The system accept mains supply voltage 115-230 (+15/-15%) V ~

FUSE F1 VALUE F15 AL 250 V ~

FUSE F2 VALUE T 10 AL 250 V ~

FUSE F3 VALUE T 10 AL 250 V ~

WARNING**WARNING**



The following TTL56-A accessories are separately available:

13360135 COVER TTS56

PROTECTION COVER FOR ONE TTS56-A.



13360140 FRONT WOOD COVER TTS56-A

QUICK LOCK WOOD FRONT PROTECTION FOR TTS56-A SUBWOOFER.

To be used to protect the speaker grill during transportation.
Compatible under the TTS56-A cover.



13360138 AC POWER CABLE 6XTTL55

POWER CABLE.

1 piece for every 6 pieces of TTL55 and 1 piece for every
6 pieces of TTS56 SUB are suggested.
Full compatibility with Socapex SL 419 Series.



13360145 AC POWER BOX 6XTTL55

EUROPEAN STAGE BOX TO POWER 6 TTL55-A LINE ARRAY MODULES
OR 6 TTS56-A MODULES.

1 piece for every 6 pieces of TTL55 and 1 piece for every
6 pieces of TTS56 SUB are suggested.
Full compatibility with Socapex SL 419 Series.



13360146 AC POWER EXTENSION TTL55

POWER EXTENSION CABLE.

20 meters AC power extension cable.
Full compatibility with Socapex SL 419 Series.





ACOUSTIC DATA	
Operating frequency range	30 - 120 Hz
Max SPL	145 dB
Crossover point	60 Hz/ 90 Hz
TRANSDUCERS	
Low frequency	2 x 21" neodymium woofer, 4.5" voice coil
AMPLIFIERS	
	2 x 3400 Watt digital amplifiers 2 x PFC switching power supplies
INPUTS	
Signal Input/Output	XLR male/female
Power Input/Output	Powercon male/female
RDNet Input/Output	Cat5 Ethercon
CONTROLS	
	Sensitivity Control (-2 dBu ~ 10 dBu) X-low cut, X-over selection Delay set-up Cardioid setting, RDNet bypass User settings (RDNet)
DSP PROCESSING	
	High pass, low pass, equalisation Crossover output processing Fast limiter, dynamic compressor RMS limiter
PHYSICAL SPECIFICATIONS	
Dimensions (w, h, d)	550 mm, 1100 mm, 950 mm
Net weight	90 Kg
Cabinet material	Baltic birch plywood
Hardware	4 x blue 100 mm wheels 6 x die cast handles Fork lift bars



1. Tutte le avvertenze, in particolare quelle relative alla sicurezza, **devono essere lette con particolare attenzione**, in quanto contengono importanti informazioni.

2. ALIMENTAZIONE DIRETTA DA RETE

- a. La tensione di alimentazione dell'apparecchio ha un valore sufficientemente alto da costituire un rischio di folgorazione per le persone: non procedere mai all'installazione o connessione dell'apparecchio con l'alimentazione inserita.
- b. Prima di alimentare questo prodotto, assicurarsi che tutte le connessioni siano corrette e che la tensione della vostra rete di alimentazione corrisponda quella di targa dell'apparecchio, in caso contrario rivolgetevi ad un rivenditore RCF.
- c. Le parti metalliche dell'apparecchio sono collegate a terra tramite il cavo di alimentazione. Un apparecchio avente costruzione di CLASSE I deve essere connesso alla presa di rete con un collegamento alla terra di protezione.
- d. Accertarsi che il cavo di alimentazione dell'apparecchio non possa essere calpestato o schiacciato da oggetti, al fine di salvaguardarne la perfetta integrità.
- e. Per evitare il rischio di shock elettrici, non aprire mai l'apparecchio: all'interno non vi sono parti che possono essere utilizzate dall'utente.
- f. "POWER ON" è un dispositivo di disconnessione dalla rete e deve rimanere facilmente accessibile dopo l'installazione e durante l'utilizzo dell'apparato.

3. Impedire che oggetti o liquidi entrino all'interno del prodotto, perché potrebbero causare un corto circuito. L'apparecchio non deve essere esposto a stillicidio o a spruzzi d'acqua; nessun oggetto pieno di liquido, quali vasi, deve essere posto sull'apparecchio. Nessuna sorgente di fiamma nuda (es. candele accese) deve essere posta sull'apparecchio.

4. Non eseguire sul prodotto interventi / modifiche / riparazioni se non quelle espressamente descritte sul manuale istruzioni.

Contattare centri di assistenza autorizzati o personale altamente qualificato quando:

- l'apparecchio non funziona (o funziona in modo anomalo);
- il cavo di alimentazione è danneggiato;
- oggetti o liquidi sono entrati nell'apparecchio;
- l'apparecchio ha subito forti urti.

5. Qualora questo prodotto non sia utilizzato per lunghi periodi, scollegare il cavo d'alimentazione.

6. Nel caso che dal prodotto provengano odori anomali o fumo, spegnerlo immediatamente e scollegare il cavo d'alimentazione.

7. Non collegare a questo prodotto altri apparecchi e accessori non previsti.

Quando è prevista l'installazione sospesa, utilizzare solamente gli appositi punti di ancoraggio e non cercare di appendere questo prodotto tramite elementi non idonei o previsti allo scopo.

Verificare inoltre l'idoneità del supporto (parete, soffitto, struttura ecc., al quale è ancorato il prodotto) e dei componenti utilizzati per il fissaggio (tasselli, viti, staffe non fornite da RCF ecc.) che devono garantire la sicurezza dell'impianto / installazione nel tempo, anche considerando, ad esempio, vibrazioni meccaniche normalmente generate da un trasduttore.

Per evitare il pericolo di cadute, non sovrapporre fra loro più unità di questo prodotto, quando questa possibilità non è espressamente contemplata dal manuale istruzioni.

8. La RCF S.p.A. raccomanda vivamente che l'installazione di questo prodotto sia eseguita solamente da installatori professionali qualificati (oppure da ditte specializzate) in grado di farla correttamente e certificarla in accordo con le normative vigenti. Tutto il sistema audio dovrà essere in conformità con le norme e le leggi vigenti in materia di impianti elettrici.

IMPORTANTE



9. Sostegni e Carrelli. Se previsto, il prodotto va utilizzato solo su carrelli o sostegni consigliati dal produttore. L'insieme apparecchio-sostegno / carrello va mosso con estrema cura. Arresti improvvisi, spinte eccessive e superfici irregolari o inclinate possono provocare il ribaltamento dell'assieme.

10. Vi sono numerosi fattori meccanici ed elettrici da considerare quando si installa un sistema audio professionale (oltre a quelli prettamente acustici, come la pressione sonora, gli angoli di copertura, la risposta in frequenza, ecc.).

11. Perdita dell'udito

L'esposizione ad elevati livelli sonori può provocare la perdita permanente dell'udito. Il livello di pressione acustica pericolosa per l'udito varia sensibilmente da persona a persona e dipende dalla durata dell'esposizione. Per evitare un'esposizione potenzialmente pericolosa ad elevati livelli di pressione acustica, è necessario che chiunque sia sottoposto a tali livelli utilizzi delle adeguate protezioni; quando si fa funzionare un trasduttore in grado di produrre elevati livelli sonori è necessario indossare dei tappi per orecchie o delle cuffie protettive. Consultare i dati tecnici del manuale d'uso per conoscere le massime pressioni sonore che i monitor da studio sono in grado di produrre.

NOTE IMPORTANTI

Per evitare fenomeni di risonanza indotta sui cavi che trasportano segnali dai microfoni o di linea (per esempio 0dB), usare solo cavi schermati ed evitare di posarli nelle vicinanze di:

- apparecchiature che producono campi elettromagnetici di forte intensità.
- Cavi di rete.
- Linee che alimentano altoparlanti.

NOTE IMPORTANTI



PRECAUZIONI D'USO



PRECAUZIONI D'USO

- Collocare il prodotto lontano da fonti di calore e lasciare dello spazio libero intorno per garantire la circolazione dell'aria.
- Non sovraccaricare questo prodotto per lunghi periodi.
- Non forzare mai gli organi di comando (tasti, manopole ecc.).
- Non usare solventi, alcool, benzina o altre sostanze volatili per la pulitura delle parti esterne.

NOTE IMPORTANTI

Prima di collegare ed utilizzare questo prodotto, leggere attentamente le istruzioni contenute in questo manuale, il quale è da conservare per riferimenti futuri.

Il presente manuale costituisce parte integrante del prodotto e deve accompagnare quest'ultimo anche nei passaggi di proprietà, per permettere al nuovo proprietario di conoscere le modalità d'installazione e d'utilizzo e le avvertenze per la sicurezza.

L'installazione e l'utilizzo errati del prodotto esimono la RCF S.p.A. da ogni responsabilità.

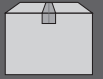
ATTENZIONE: per prevenire i rischi di fiamme o scosse elettriche, non esporre mai questo prodotto alla pioggia o all'umidità.

NOTE IMPORTANTI



ATTENZIONE



**TT+ HIGH DEFINITION TOURING AND THEATRE**

RCFTT+ rappresenta un altro importante capitolo della lunga storia di RCF. Sia che i diffusori siano progettati per musica dal vivo, per concerti in grandi spazi o per l'installazione fissa in teatri, il cliente si aspetta un livello di fedeltà e di intelligibilità decisamente superiore a quella degli impianti di precedente generazione. Questa esigenza ha fatto sì che i professionisti del settore audio sentissero la necessità di offrire un'ampia gamma di diffusori acustici abbinata a tecnologie di elaborazione ed amplificazione con prestazioni acustiche e di controllo di qualità superiore. RCF TT+ offre soluzioni e strumenti di immediato utilizzo nel campo dei diffusori attivi ad alta definizione.

INNOVAZIONE, INTEGRAZIONE, INTENSITÀ

Il nostro team di ricerca e sviluppo è in grado di offrire progetti innovativi con controllo di ogni dettaglio, dal rame smaltato di avvolgimento della bobina dell'altoparlante fino alla topologia ad elevata efficienza dell'amplificatore a dinamica estesa.

Sono molti gli ingredienti che contribuiscono a creare prodotti e sistemi di qualità, tra questi i software di simulazione computerizzata che aiutano a comprendere il comportamento dei trasduttori ed il funzionamento dell'amplificatore, oltre allo studio della risposta dinamica e della risposta ai transienti. RCF utilizza oltre trenta software per lo studio di circuiti magnetici, dinamica delle bobine, linearità delle sospensioni, simulazione della dispersione delle trombe, filtri crossover, comportamento termico dell'amplificatore, ecc.

RCF è uno dei pochi produttori di altoparlanti al mondo in grado di elaborare completamente i progetti e di costruire trasduttori, diffusori, elettronica d'amplificazione e controllo. La nostra esperienza di oltre 50 anni nel settore audio abbinata ai nostri avanzati processi di ricerca e sviluppo nonché di produzione, ci permette di integrare perfettamente tutti gli ingredienti che compongono il sistema TT+.

La filosofia progettuale della nuova serie TT+, si basa sulla volontà di offrire soluzioni tecniche e strumenti acustici di immediato utilizzo. Fattori chiave sono la capacità di sostenere elevati livelli di potenza e di pressione sonora con grande efficienza. Intensi livelli sonori sono riprodotti con una definizione estremamente elevata ed estesa dinamica. I materiali high tech con i quali è costruita la serie TT+ permettono di ottenere un peso complessivo molto basso facilitando quindi sospensione e trasporto.

TTS56-A, ALTI LIVELLI E GRANDE QUALITÀ ACUSTICA

Abbiamo avviato la progettazione dei diffusori compatti della serie TT+ con un'idea chiara in mente: la massima pressione sonora con elevatissima qualità audio, il minor peso e le più piccole dimensioni. Con i nostri avanzatissimi trasduttori al neodimio, l'elaborazione analogica d'eccellente qualità ed i potenti amplificatori in classe D abbiamo raggiunto e superato i nostri obiettivi iniziali.

Il TTS56-A è un subwoofer attivo professionale ad alta potenza che definisce un nuovo standard nel rinforzo sonoro touring.

I trasduttori sono stati progettati in modo specifico per l'applicazione, sono dotati di elevata escursione e pesi estremamente contenuti.

I woofer del sistema TTS56-A hanno le seguenti caratteristiche:

- circuito magnetico in neodimio, ad alta energia e dal peso contenuto.
- Bobina in rame, interno-esterno di 115 mm di diametro e 33 mm di lunghezza.
- Sospensioni doppie al silicone.
- Cono caricato con fibre di carbonio e trattamento resistente all'acqua.
- Doppio sistema di ventilazione per garantire la minima compressione acustica alla massima potenza.

La sezione ingressi è dotata di:

- connettori IN/OUT XLR.
- Connettore XLR Crossover Out.
- Potenzimetro lineare per variare la sensibilità (-2 dBu - +10 dBu).
- Selezione del crossover (60 Hz - 90 Hz).
- Selezione del filtro passa alto (30 Hz - 45 Hz).

**TT+ HIGH DEFINITION
TOURING AND THEATRE****INNOVAZIONE****INTEGRAZIONE****INTENSITÀ****TTS56-A
ALTI LIVELLI E GRANDE
QUALITÀ ACUSTICA**

- Selettore rotativo per l'assegnazione del ritardo temporale.
- Selettore per la selezione della configurazione cardioide.
- Selettore di by-pass delle impostazioni RDNet.
- Connettori di ingresso ed uscita RDNet.
- 4 LED di stato.

La sezione di amplificazione del TTS56-A è dotata di:

- 2 amplificatori digitali da 3400 Watt.
- 2 circuiti di alimentazione dotati di circuito di correzione PFC.
- Connettore di alimentazione Powercon.
- Meccanica in alluminio sospesa con Vibrostop.

REAR PANEL



- 1 Ingresso XLR segnale audio (Bal/Unbal). Il sistema accetta connettori di ingresso XLR femmina e segnali a livello linea da mixer o da altre sorgenti di segnale.
- 2 Uscita XLR segnale audio. L'uscita XLR maschio provvede una connessione in uscita del segnale audio per connettere più diffusori allo stesso segnale.
- 3 Uscita XOVER segnale audio. Il connettore XLR maschio fornisce un'uscita audio passa-alto (24 dB/ottava) per diffusori satellite.
- 4 Sensibilità in ingresso. Controlla il livello del segnale in ingresso all'amplificatore di potenza. Il controllo varia da +10 dBu (massima attenuazione) alla sensibilità -2 dBu (massimo guadagno in ingresso). La sensibilità nella posizione centrale è +4 dBu (livello nominale richiesto per ottenere la massima potenza dagli amplificatori).
- 5 Xlow cut. Questo pulsante fornisce al sistema un filtro passa-alto (24 dB/ottava a 45 hertz). Può essere molto utile per situazioni indoor, dove le frequenze molto basse possono provocare onde stazionarie e perdita di intelligibilità del sistema. Può essere usato anche quando si vuol concentrare tutta la potenza dell'amplificatore nella banda 45 Hz - 90Hz.
- 6 Xover 60/90 Hz. Questo pulsante fornisce una frequenza di crossover ad 60 Hz se rilasciato, a 90 Hz se premuto. La stessa frequenza di crossover è disponibile per il satellite all'uscita di segnale audio XOVER OUTPUT XLR.
- 7 Encoder ritardo temporale. Permette l'impostazione del ritardo temporale in metri.

- 8** Display ritardo temporale. Indica il ritardo settato sul modulo espresso in metri.
- 9** Power indicator. Indicazione di alimentazione presente. Quando il diffusore è connesso alla rete e l'interruttore in posizione ON il led si accende con colore VERDE.
- 10** Status indicator. L'indicatore di stato si accende con colore ARANCIONE se l'amplificatore principale evidenzia un malfunzionamento. Nel caso in cui il led STATUS si accenda spegnere e scollegare l'apparecchio e rivolgersi al centro assistenza RCF più vicino.
- 11** Signal indicator. Il led di segnale si accende con colore VERDE se è presente segnale audio all'ingresso XLR.
- 12** Limit indicator. L'amplificatore è dotato di un circuito di compressore/limiter in modo da prevenire il clipping dell'amplificatore o di sovrapiotare gli altoparlanti. Quando il circuito di compressione è attivo il LED lampeggia con colore giallo. Quando il circuito di soft clipping è attivo il LED lampeggia con colore ARANCIONE. È accettabile che il LED lampeggi occasionalmente. Se il LED lampeggia frequentemente o si accende di continuo ridurre il segnale in ingresso. L'amplificatore è dotato di un circuito di limiter RMS. Il limiter RMS serve a proteggere i trasduttori. Se il circuito di protezione RMS è attivo il LED si accende con colore ROSSO. Il diffusore non deve mai essere utilizzato con il LED ROSSO acceso in modo continuo, operare a lungo con il led rosso acceso può causare danni al diffusore.
- 13** Pulsante cardioid set-up. Questo pulsante, una volta premuto, attiva una equalizzazione ed un ritardo temporale del modulo atti a creare un sistema cardioide utilizzando gruppi di 3 subwoofers.
- 14** Pulsante by pass. Premendo questo pulsante è possibile by-passare il pannello ingressi ed utilizzare le impostazioni utente precaricate sul modulo.
- 15** Connettore data input Ethercon. Connettore RDNet Input CAT5 Ethercon.
- 16** Connettore data link Ethercon. Connettore RDNet Link CAT5 Ethercon.
- 17** Link led. Questo LED si illumina verde quando il modulo è indirizzato da un controller RDNet.
- 18** Active led. Questo LED lampeggia verde quando la comunicazione RDNet è attiva.



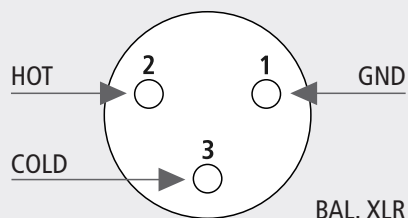
- 19** Interruttore di alimentazione. L'interruttore apre e chiude l'alimentazione in corrente AC. Assicurarsi che la sensibilità sia +10 dBu quando si accende il diffusore.
- 20** Presa AC POWERCON. La serie RCF TT+ utilizza connettori AC POWERCON. Utilizzare sempre i cavi rete forniti a corredo

Il connettore di ingresso XLR segue il seguente standard AES:

PIN 1 = TERRA (GROUND; SHIELD)

PIN 2 = LATO CALDO (HOT; +)

PIN 3 = LATO FREDDO (COLD; -)



A questo punto potete inserire il connettore di alimentazione e il connettore di segnale, ma prima di accendere il diffusore assicuratevi che il controllo di volume sia al minimo sia sul diffusore che sulla sorgente sonora collegata al diffusore (che generalmente sarà un mixer); è importante anche che il mixer sia già acceso al momento in cui viene acceso il diffusore a lui collegato. Queste due precauzioni vi eviteranno innanzitutto di accendere i diffusori in presenza di forti segnali in ingresso (evitando di causare danni al diffusore stesso ma soprattutto alle persone che vi si possono trovare davanti) e inoltre di far arrivare agli altoparlanti e al pubblico i fastidiosi "bump" causati dall'accensione delle apparecchiature audio a monte dei diffusori. Infatti è buona regola che i diffusori amplificati e gli amplificatori in genere siano sempre le ultime apparecchiature ad essere accese dopo il montaggio e le prime ad essere spente alla fine dello spettacolo. A questo punto potete accendere il diffusore e alzare il controllo di livello a seconda delle necessità.

Il ritardo è espresso in metri. Le risoluzioni del ritardo è di 0.1 fino a 10 metri ed 1 da 10 a 20 metri. Per impostare il ritardo premere l'encoder e successivamente ruotarlo sino a raggiungere il ritardo desiderato. Premere nuovamente l'encoder per confermare l'impostazione.

CONNESSIONI

PRIMA DI ACCENDERE IL DIFFUSORE

IMPOSTAZIONE DEL RITARDO TEMPORALE (TIME DELAY)



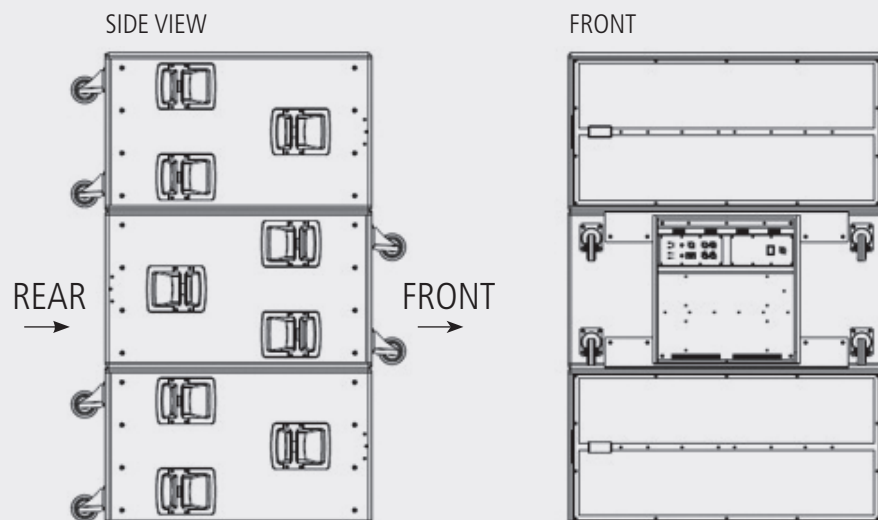
CARDIOIDE



È possibile creare sistemi cardioide utilizzando gruppi di subwoofers.

Un gruppo è costituito di tre moduli disposti come segue:

- 2 moduli rivolti nella direzione di propagazione, pulsante cardioid rilasciato.
- 1 modulo rivolto nella direzione opposta alla propagazione, pulsante cardioid inserito.
- Tutti i 3 moduli devono avere le medesime impostazioni generali (RITARDO, SENSIBILITÀ, XOVER,...).



CONNESSIONE RDNet

Il sistema è dotato di connessione RDNet. Utilizzando un controller RDNet è possibile:

- ricevere informazioni di stato del sistema (stato degli amplificatori, dei segnali, delle impostazioni, ...).
- Inviare comandi al sistema (mute, solo, variazioni di livello, di impostazioni, ...).

Riferirsi al manuale utente RDNet per maggiori dettagli.

PULSANTE RDNet BY-PASS

Quando **RDNet è presente** ed il LED RDNet **LINK è verde** il controller ha il controllo del modulo e dei suoi ingressi **indipendentemente dalla posizione del tasto**.

Quando RDNet non è presente, il tasto BY-PASS agisce come segue:

- **TASTO BY-PASS premuto** (LED ON): il sistema by-passa la scheda ingressi e legge la configurazione utente impostata da RDNet (**ultima configurazione salvata**).
- **TASTO BY-PASS rilasciato** (LED OFF): il sistema legge la scheda ingressi e by-passa la configurazione utente eventualmente caricata sul modulo (ultima configurazione eventualmente salvata).

CONFIGURAZIONE DI DEFAULT TTS56-A

La configurazione di default del modulo TTS56-A (la configurazione che viene letta se RDNet non è presente ed il pulsante by-pass è premuto) è la seguente:

Sensibilità	+4 dBu
Passa alto	30 Hz
Passa basso	90 Hz
Cardioide	OFF
Ritardo	0
By-pass	OFF
Filtri utente	ALL FLAT

Nel caso in cui l'utente setti tramite RDNet una nuova configurazione, la nuova configurazione verrà richiamata quando il tasto BY-PASS è premuto.

BY-PASS SWITCH	RDNet	BY-PASS LED	FUNCTION
ON	ON	ON	Reads RDNet settings
OFF	ON	OFF	Reads RDNet settings
ON	OFF	ON	Reads last saved used configuration
OFF	OFF	OFF	Reads input panel

CONNESSIONE RDNet

PULSANTE RDNet BY-PASS

CONFIGURAZIONE DI DEFAULT TTS56-A

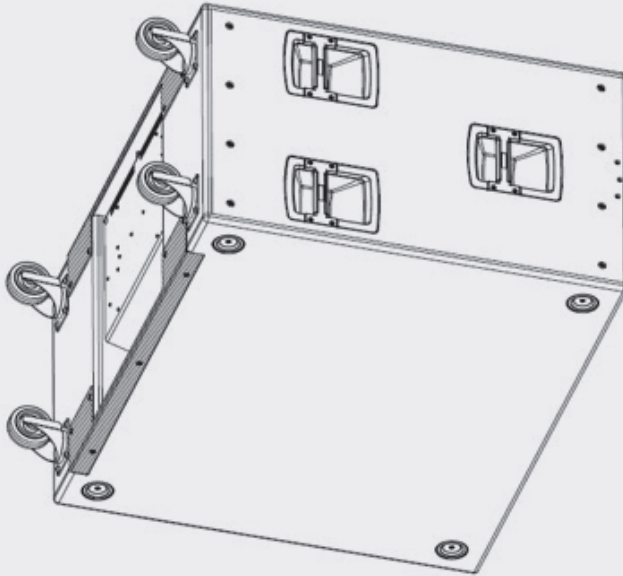


Il subwoofer è dotato di 4 ruote in gomma per il trasporto di diametro 100 mm posizionate sul lato posteriore del diffusore.

Sono disponibili su ogni lato del diffusore 3 maniglie pressofuse in alluminio con impugnatura in gomma.

Il mobile, realizzato in multistrato di betulla per uso da esterno, è rivestito da una robusta protezione antigraffio in polyurea.

Due barre in metallo, verniciate a polvere, sono provviste sul lato posteriore del mobile, per il **trasporto con muletto**.



INSTALLAZIONE



ATTENZIONE: non sospendere mai il diffusore per mezzo delle maniglie. Le maniglie sono state progettate per il trasporto del diffusore, non per la sua sospensione.

ATTENZIONE: assicurarsi sempre che la richiesta massima di corrente non superi la corrente massima ammessa dai connettori POWERCON. In caso di dubbio contattare il centro assistenza RCF più vicino.

TENSIONE DI ALIMENTAZIONE

Il sistema accetta una tensione di alimentazione di 115-230 (+15/-15%) V ~

FUSE F1 VALUE F15 AL 250 V ~

FUSE F2 VALUE T 10 AL 250 V ~

FUSE F3 VALUE T 10 AL 250 V ~

ATTENZIONE



ATTENZIONE





I seguenti accessori sono separatamente disponibili:

13360135 COVER TTS56

COPERTINA DI PROTEZIONE PER UN TTS56-A



13360140 FRONT WOOD COVER TTS56-A

PROTEZIONE FRONTALE AD AGGANCIAMENTO RAPIDO PER UN TTS56-A SUBWOOFER

Protezione per la protezione della rete frontale durante il trasporto. Compatibile con Cover TTS56.



13360138 AC POWER CABLE 6XTTL55

POWER CABLE.

1 pezzo ogni 6 moduli di TTL55-A o moduli TTS56-A.
Completa compatibilità con Socapex Serie SL 419.



13360145 AC POWER BOX 6XTTL55

STAGE BOX EUROPEO PER ALIMENTARE 6 TTL55-A O 6 TTS56-A

1 pezzo ogni 6 moduli di TTL55-A o moduli TTS56-A.
Completa compatibilità con Socapex Serie SL 419.



13360146 AC POWER EXTENSION TTL55

CAVO DI ESTENSIONE DELL'ALIMENTAZIONE

Cavo di estensione dell'alimentazione di lunghezza 20 metri.
Completa compatibilità con Socapex Serie SL 419.





ACOUSTIC DATA	
Operating frequency range	30 - 120 Hz
Max SPL	145 dB
Crossover point	60 Hz/ 90 Hz
TRANSDUCERS	
Low frequency	2 x 21" neodymium woofer, 4.5" voice coil
AMPLIFIERS	2 x 3400 Watt digital amplifiers 2 x PFC switching power supplies
INPUTS	
Signal Input/Output	XLR male/female
Power Input/Output	Powercon male/female
RDNet Input/Output	Cat5 Ethercon
CONTROLS	Sensitivity Control (-2 dBu ~ 10 dBu) X-low cut, X-over selection Delay set-up Cardioid setting, RDNet bypass User settings (RDNet)
DSP PROCESSING	High pass, low pass, equalisation Crossover output processing Fast limiter, dynamic compressor RMS limiter
PHYSICAL SPECIFICATIONS	
Dimensions (w, h, d)	550 mm, 1100 mm, 950 mm
Net weight	90 Kg
Cabinet material	Baltic birch plywood
Hardware	4 x blue 100 mm wheels 6 x die cast handles Fork lift bars



1. Toutes les précautions d'utilisation, en particulier les consignes de sécurité, doivent être lues très attentivement car elles fournissent des informations importantes.

2. ALIMENTATION SECTEUR

- a. La tension secteur est suffisamment élevée pour engendrer un risque d'électrocution ; par conséquent, n'installez ou ne branchez jamais ce produit alors qu'il est allumé.
- b. Avant d'allumer le produit, assurez-vous que toutes les connexions ont été réalisées correctement et que la tension secteur correspond bien au voltage indiqué sur la plaque d'identification du produit ; dans le cas contraire, veuillez contacter votre revendeur RCF.
- c. Les parties métalliques du produit sont reliées à la terre par l'intermédiaire du cordon secteur. Tout produit de CLASSE I doit être branché à une prise terre.
- d. Protégez le cordon secteur contre tout dommage ; assurez-vous qu'il est placé de sorte qu'il ne soit ni piétiné, ni écrasé par des objets.
- e. Pour prévenir tout risque de choc électrique, n'ouvrez jamais le produit : aucun composant à l'intérieur n'est destiné à l'utilisateur.
- f. "POWER ON" commutateur est un dispositif de déconnexion de l'alimentation secteur principal et doit être facilement accessible après l'installation et pendant l'utilisation de l'équipement.

3. Assurez-vous qu'aucun objet ou liquide ne pénètre dans l'appareil afin d'éviter tout risque de court-circuit.

N'exposez ce produit ni aux gouttes ni aux éclaboussures. Ne placez aucun récipient contenant un liquide, par exemple un vase, sur le produit. Ne placez aucune source de flamme, par exemple des bougies allumées, sur le produit.

4. Ne tentez jamais d'opération, de modification ou de réparation si elle n'est pas expressément décrite dans ce manuel.

Contactez le centre de SAV ou du personnel qualifié agréé dans chacun des cas suivants :

- Le produit ne fonctionne pas (ou ne fonctionne pas normalement).
- Le cordon secteur est endommagé.
- Des objets ou des liquides se sont introduits dans le produit.
- Le produit a subi un choc violent.

5. Avant de laisser ce produit inutilisé pendant longtemps, débranchez son cordon secteur.

6. Si ce produit commence à émettre une odeur ou une fumée bizarre, éteignez-le immédiatement et débranchez le cordon secteur.

7. Ne connectez ce produit à aucun équipement ou accessoire non prévu.

Pour suspendre le produit, utilisez uniquement les points de fixation dédiés ; n'essayez pas de suspendre le produit en utilisant des éléments inadaptés ou n'ayant pas été conçus pour cet usage particulier. Vérifiez également que le support auquel le produit est fixé (mur, plafond, armature, etc.) est approprié et que les composants utilisés pour la fixation (scellement, vis, arceaux, etc. non fournis par RCF) sont adéquats ; ils doivent garantir la sécurité du système / de l'installation dans le temps et supporter notamment les vibrations mécaniques générées par les transducteurs.

Pour prévenir tout risque de chute, n'empilez pas plusieurs exemplaires de ce produit sauf si cela est spécifié dans le manuel d'utilisation.

8. RCF S.p.A. recommande fortement de faire installer ce produit par du personnel professionnel qualifié (ou par une société spécialisée) qui pourra garantir que l'installation est correcte et la certifier conforme à la réglementation en vigueur.

L'ensemble du système audio doit être conforme aux normes et réglementations actuelles relatives aux systèmes électriques.

IMPORTANTES



9. Supports et chariots

Dans certains cas, les équipements doivent être utilisés exclusivement sur des chariots et supports recommandés par le fabricant. Déplacez l'ensemble produit / support / chariot avec une extrême prudence. L'ensemble peut se renverser en raison d'arrêts soudains, d'une poussée excessive ou même d'un sol irrégulier.

10. L'installation d'un système audio professionnel nécessite de tenir compte de nombreux facteurs mécaniques et électriques (en plus des paramètres strictement acoustiques tels que le niveau de pression sonore, les angles de dispersion, la réponse en fréquence, etc.).

11. Surdit 

L'exposition   des niveaux de pression acoustique  lev s peut entra ner des dommages auditifs permanents. Le niveau de pression acoustique   partir duquel on peut constater des pertes du sens de l'ou e varie en fonction des individus et d pend de la dur e d'exposition. Pour se pr munir contre les niveaux de pression acoustique  lev s, toute personne expos e doit s' quiper d'un dispositif de protection adapt . Vous devez porter des bouchons d'oreille ou un casque antibruit pendant le fonctionnement d'un transducteur capable de produire des niveaux de pression sonore  lev s. Consultez les sp cifications techniques du manuel d'utilisation pour conna tre le niveau de pression acoustique maximal.

NOTES IMPORTANTES

- Pour  viter l'apparition de bruit ind sirable dans les c bles des signaux ligne, utilisez exclusivement des c bles blind s et  vitez de les faire passer   proximit  :
- des  quipements qui produisent de puissants champs  lectromagn tiques
- des c bles secteur
- des c bles d'enceinte

NOTES IMPORTANTES**OPERATING PRECAUTIONS****PR CAUTIONS D'UTILISATION**

- Placez ce produit loin de toute source de chaleur et veillez toujours   ce que l'air circule librement autour de lui.
- Ne faites pas fonctionner ce produit en surcharge pendant longtemps.
- Ne forcez jamais sur les commandes du produit (touches, boutons, etc.).
- N'utilisez pas de solvant, d'alcool, de benz ne ou d'autre produit volatil pour nettoyer les parties ext rieures de ce produit.

NOTES IMPORTANTES

Avant de connecter et d'utiliser ce produit, veuillez lire ce manuel avec attention et le conserver   port e de main pour pouvoir le consulter ult rieurement. Le manuel doit  tre consid r  comme faisant partie int grante de ce produit et doit  tre transmis lors de tout changement de propri taire car il d crit l'installation et l'utilisation correctes du produit ainsi que les pr cautions d'emploi   respecter. RCF S.p.A. d cline toute responsabilit  concernant l'installation et/ou l'utilisation incorrecte(s) de ce produit..

AVERTISSEMENT: Pour pr venir tout risque d'incendie et de choc  lectrique, n'exposez jamais ce produit   la pluie ou   l'humidit .

NOTES IMPORTANTES**AVERTISSEMENT**



TT+ TOURING ET THÉÂTRE EN HAUTE DÉFINITION

La gamme TT+ constitue un chapitre important dans la longue histoire de RCF. Qu'il soit conçu pour la diffusion de musique live itinérante ou pour la sonorisation permanente d'un lieu de spectacle, tout nouveau système d'enceintes doit répondre aux exigences du client en termes de fidélité et de précision sonores en surpassant les performances des générations précédentes.

De ce fait, les fabricants d'équipements audio professionnels doivent développer des systèmes d'enceintes dotés d'outils de traitement sonore et d'amplification dédiés offrant des performances acoustiques et des possibilités de contrôle supérieures.

La gamme RCF TT+ propose des solutions et des outils prêts à l'emploi sous la forme de systèmes d'enceintes actives à haute définition.

INNOVATION INTÉGRATION INTENSITÉ

Innovation. Nos services de recherche et d'ingénierie sont aujourd'hui en mesure de finaliser des produits novateurs en contrôlant chaque détail de leur développement, du bobinage de la bobine mobile des haut-parleurs jusqu'à la technologie d'amplification dynamique à haut rendement. La maîtrise de très nombreux outils est indispensable pour aboutir à des produits et à des systèmes audio de haute qualité. Citons notamment la simulation assistée par ordinateur qui permet de contrôler le comportement des transducteurs et de l'amplification ainsi que la relation entre les réponses dynamique et transitoire. RCF utilise plus de trente outils logiciels de dernière génération pour mettre au point les circuits magnétiques, la dynamique des bobines mobiles, la linéarité de la suspension des haut-parleurs, la directivité des pavillons, les circuits de filtrage, le comportement thermique des amplificateurs, etc.

Intégration. RCF compte parmi les rares fabricants d'enceintes en mesure de concevoir et de fabriquer entièrement les transducteurs, les coffrets, l'amplification et l'électronique. Notre expérience de plus de 50 ans dans le domaine des technologies audio, nos services de recherche et développement ainsi que nos procédés de fabrication ont permis une intégration parfaite de tous les facteurs nécessaires à la conception et à la production de la gamme TT+.

Intensité. La philosophie de la nouvelle gamme TT+ vise à offrir des solutions et des outils prêts à l'emploi aux ingénieurs du son. L'un de ses atouts principaux concerne la production durable de niveaux de pression acoustique très élevés grâce à un rendement maximisé. La gamme TT+ est conçue pour assurer une puissance de sortie intense tout en conservant une définition sonore extrêmement élevée et une réponse dynamique étendue. Elle utilise des matériaux novateurs qui assurent un rapport poids/résistance mécanique exceptionnel garantissant un transport et une suspension aisés.

TTS56-A, SUBWOOFER À FORTE PUISSANCE

Le TTS56-A est un subwoofer actif à forte puissance qui fait figure de nouvelle référence en matière de sonorisation touring et théâtre. Chaque transducteur a été conçu spécialement pour la série TT+. Le woofer bénéficie notamment d'un grand débattement et d'un poids très réduit.

Les deux woofers 21" du TTS56-A possèdent

- Un moteur magnétique néodyme puissant et très léger.
- Une bobine mobile en cuivre de 115 mm de diamètre et de 33 mm de long avec technologie inside/outside.
- Deux spiders renforcés par de la silicone.
- Un cône enduit de fibre carbone résistant à l'eau.
- Un système de ventilation complexe pour minimiser la compression de la puissance.

La section d'entrée du TTS56-A offre :

- Des entrée/sortie sur XLR.
- Une sortie de filtre actif sur XLR.
- Un potentiomètre linéaire pour le réglage de la sensibilité du système (de -2 dBu à +10 dBu).
- Un réglage de la coupure du filtre (de 60 à 80 Hz).
- Un filtre passe-haut réglable (de 30 à 45 Hz).
- Un réglage de delay.
- Un commutateur de directivité cardioïde.
- Un commutateur de bypass.
- Des entrée/sortie RNet sur connecteurs Ethercon.
- 4 LED de statut.

TT+ HIGH DEFINITION TOURING AND THEATRE

INNOVATION

INTÉGRATION

INTENSITÉ

TTS56-A, SUBWOOFER À FORTE PUISSANCE

- **La section d'amplification du TTS56-A offre :**
- Deux modules d'amplification numériques de 3400 watts chacun avec deux circuits PFC.
- Sept ventilateurs de refroidissement à vitesse contrôlée.
- Un connecteur secteur AC Powercon.
- Un panneau flottant Vibrostop en aluminium.

PANNEAU ARRIÈRE

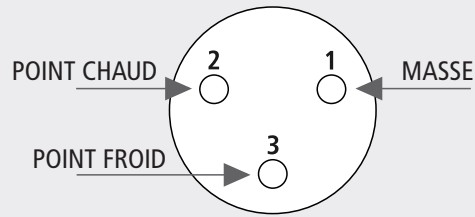


- 1 Entrée principale SIGNAL INPUT symétrique/asymétrique sur XLR. Cette entrée sur XLR femelle accepte les sources de signal de niveau ligne (table de mixage, etc.).
- 2 Sortie de chaînage SIGNAL LINK sur XLR. Cette sortie sur XLR mâle délivre le signal source non traité pour alimenter d'autres enceintes.
- 3 Sortie de signal XOVER OUTPUT. Cette sortie sur XLR mâle délivre le signal passe-haut du filtre actif (24 dB/octave) pour alimenter des enceintes satellites.
- 4 Sensibilité d'entrée. Contrôle le niveau global du signal dans l'entrée de l'étage d'amplification. La plage de réglage de la sensibilité s'étend de +10 dBu (atténuation maximale) à -2 dBu (gain d'entrée maximal). La détente centrale est fixée à +4 dBu (niveau nominal requis pour bénéficier de la puissance maximale de l'étage d'amplification).
- 5 Coupe-bas à 30/45 Hz du filtre actif. Ce commutateur commande un filtre passe-haut de 24 dB/octave à 30 ou 45 Hz. Il est très utile dans les applications indoor pour supprimer les fréquences très basses susceptibles de générer des résonances ou lorsque toute la puissance doit être utilisée dans la bande de fréquences de 45 à 100 Hz.
- 6 Coupure du filtre actif à 60/90 Hz. Ce commutateur commande un filtre passe-bas de 24 dB/octave à 80 Hz (commutateur relâché) ou 110 Hz (commutateur enfoncé). La sortie XOVER OUTPUT sur XLR délivre le signal traité par un passe-haut réglé sur la fréquence correspondant à celle choisie pour le filtre actif.
- 7 Réglage du temps de delay. Cet encodeur règle le temps de retard exprimé en mètres.
- 8 Afficheur du temps de delay. Affiche le temps de retard choisi.
- 9 Indicateur POWER. Cet indicateur s'allume en vert lorsque le cordon d'alimentation est connecté et l'interrupteur de mise en marche est allumé.

- 10** Indicateur STATUS. L'indicateur de statut clignote en orange quand l'étage d'amplification ou l'alimentation électrique est défectueux. Lorsque l'indicateur de statut s'allume en orange, éteignez l'appareil et contactez le centre de SAV RCF le plus proche.
- 11** Indicateur SIGNAL. L'indicateur de signal s'allume en vert lorsqu'un signal est présent dans l'entrée principale sur XLR.
- 12** Indicateur LIMITER. L'étage de puissance possède un circuit compresseur/limiteur pour empêcher l'apparition d'écèlementage (clipping) dans les amplificateurs et de distorsion dans les haut-parleurs.
La LED clignote en jaune quand le compresseur est actif. La LED clignote en orange quand le circuit d'écèlementage doux (soft clipping) est actif. Le fait que la LED LIMITER clignote occasionnellement est acceptable. Si elle clignote fréquemment ou reste continuellement allumée, réduisez le niveau du signal. L'étage d'amplification possède un limiteur RMS intégré. La LED s'allume en rouge quand le limiteur RMS est actif. Le limiteur RMS sert à éviter tout dommage aux transducteurs. N'utilisez jamais l'enceinte lorsque la LED LIMITER reste continuellement allumée en rouge. Le fait d'utiliser le produit tandis que la protection RMS est continuellement active peut endommager l'enceinte.
- 13** Commutateur CARDIOID. Cette touche commande une égalisation et un delay spéciaux qui assurent une directivité cardioïde utile lorsque le système est utilisé avec deux autres modules TTS56-A.
- 14** Commutateur BYPASS. Appuyez sur cette touche pour bypasser le panneau d'entrée et appliquer le réglage utilisateur RDNet chargé dans le module.
- 15** Entrée des données sur connecteur Ethercon. Entrée RDNet sur connecteur Ethercon pour câble CAT5.
- 16** Connexion Ethercon pour le chaînage des données. Connexion RDNet sur connecteur Ethercon pour câble CAT5.



- 17** LED LINK. Cette LED verte s'allume lorsque le module est commandé par un contrôleur RDNet.
- 18** LED ACTIVE. Cette LED verte clignote pour indiquer l'activité de la communication RDNet.
- 19** Interrupteur de mise en marche. Ce commutateur allume/éteint l'alimentation électrique AC. Vérifiez que la sensibilité est réglée sur +10 dBu avant d'allumer l'enceinte.
- 20** Connecteur secteur POWERCON. La série RCF TT+ utilise un connecteur secteur (AC) POWERCON 3 broches verrouillable. Utilisez toujours le cordon d'alimentation spécial fourni avec le produit.



Les connecteurs XLR sont conformes au standard AES suivant : **XLR SYMÉTRIQUE**
 BROCHE 1 = MASSE (BLINDAGE)
 BROCHE 2 = POINT CHAUD (+)
 BROCHE 3 = POINT FROID (-)

Vous pouvez déjà connecter le cordon secteur et le câble audio ; cependant, avant d'allumer l'enceinte, vérifiez que les réglages de niveau de l'enceinte et de la table de mixage qui l'alimente sont au minimum. Il est très important que la table de mixage soit déjà en marche avant d'allumer l'enceinte. Cela permet d'éviter tout dommage aux haut-parleurs et toute apparition de bruit de mise sous tension émis par des éléments de la chaîne audio. La bonne habitude à prendre consiste à toujours allumer les enceintes en dernier et de les éteindre en premier après utilisation.

À présent, vous pouvez allumer l'enceinte et la régler au volume approprié.

Le temps de retard est exprimé en mètres. La résolution du delay est de 0,1 jusqu'à 10 mètres et de 1 entre 10 et 20 mètres.

Pour régler le temps de retard du système, appuyez sur l'encodeur du delay et tournez-le jusqu'à ce que l'afficheur indique la valeur souhaitée. Rappuyez sur l'encodeur pour confirmer le réglage.

CONNEXIONS

AVANT DE CONNECTER L'ENCEINTE

RÉGLAGE DU TEMPS DE DELAY



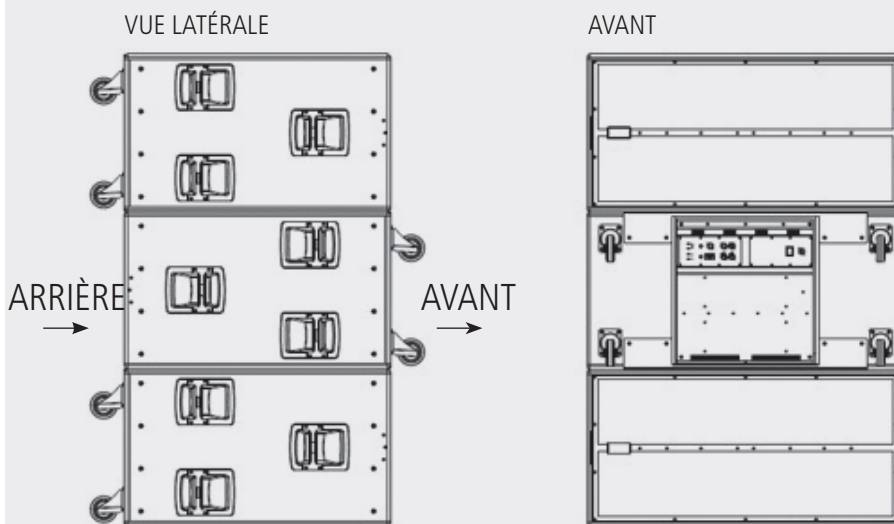
DIRECTIVITÉ CARDIOÏDE



Vous pouvez créer un système de subwoofers cardioïde en formant des groupes de trois modules.

Le groupe doit comporter trois modules et être organisé de la façon suivante :

- 2 modules doivent être dirigés vers l'avant et leurs commutateurs CARDIOÏD doivent être relâchés.
- 1 module doit être dirigé vers l'arrière et son commutateur CARDIOÏD doit être enfoncé.
- Les 3 modules doivent avoir les mêmes réglages (delay, sensibilité, coupe-bas, filtre actif, etc.).



CONNEXION RDNet

- Le système est équipé d'une connexion RDNet.
- L'utilisation d'un contrôleur RDNet permet :
 - De collecter les informations de statut du système (statut des amplificateurs, niveaux des signaux, réglages du système, etc.).
 - D'envoyer des ordres au système (mute, solo, modification de la sensibilité, modification des réglages, réglage d'égalisation utilisateur, etc.).
- Consultez le manuel d'utilisation RDNet pour de plus amples informations.

COMMUTATEUR BYPASS RDNet

Quand une connexion RDNet est établie et la LED RDNet LINK est verte, le contrôleur prend les commandes du module quelle que soit la position du commutateur BYPASS.

Quand la connexion RDNet est absente, le commutateur BYPASS fonctionne comme suit :

- Commutateur BYPASS enfoncé (LED allumée) : le système bypass le circuit d'entrée et applique les réglages utilisateur RDNet (dernière configuration enregistrée).
- Commutateur BYPASS relâché (LED éteinte) : le système applique les réglages du circuit d'entrée et bypass les réglages utilisateur (dernière configuration enregistrée) éventuellement chargés dans l'enceinte.

CONFIGURATION PAR DÉFAUT DU TTS56-A

La configuration d'usine par défaut du TTS56-A (appliquée par le système lorsque le commutateur BYPASS est enfoncé) est la suivante :

Sensibilité	+4 dBu	
Passe-haut		30 Hz
Passe-bas	90 Hz	
Cardioïde	OFF	
Delay	0	
Bypass	OFF	
Filtres utilisateur	ALL FLAT	

Si l'utilisateur règle une nouvelle configuration par RDNet, cette dernière est rappelée dès que le commutateur BYPASS est enfoncé.

COMMUTATEUR BYPASS	RDNet	LED BYPASS	FONCTION
ON	ON	ON	Application des réglages RDNet
OFF	ON	OFF	Application des réglages RDNet
ON	OFF	ON	Application de la dernière configuration enregistrée
OFF	OFF	OFF	Application des réglages du circuit d'entrée

CONNEXION RDNet

COMMUTATEUR BYPASS RDNet

CONFIGURATION PAR DÉFAUT DU TTS56-A

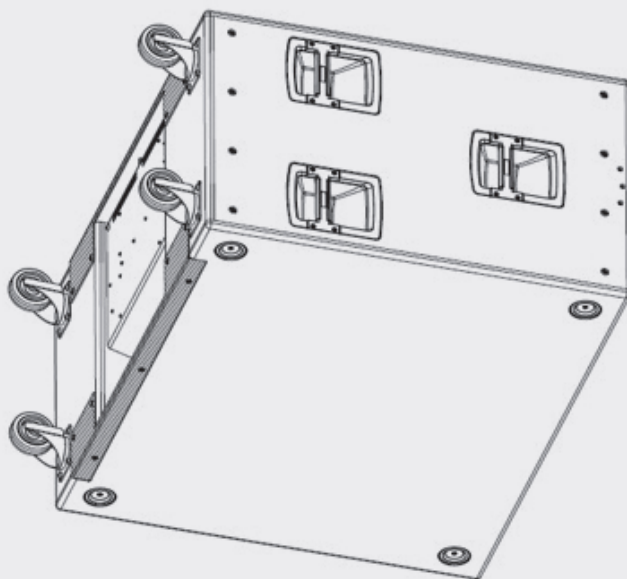


Le subwoofer est équipé de 4 roulettes bleues en caoutchouc de 100 mm montées à l'arrière de l'enceinte pour faciliter son transport.

Trois poignées en aluminium moulé avec revêtement en caoutchouc sont montées de chaque côté de l'enceinte.

Le coffret en multipli de boulot de la Baltique autorise l'utilisation en extérieur et est protégé par un solide revêtement polymère résistant aux rayures.

L'arrière de l'enceinte est équipé de deux barres d'acier avec revêtement noir pour le transport par chariot élévateur.



AVERTISSEMENT: ne suspendez jamais les enceintes TT+ par leurs poignées. Les poignées permettent de transporter l'enceinte mais pas de la suspendre.

AVERTISSEMENT: vérifiez toujours que la consommation d'énergie électrique n'excède pas le maximum accepté par le connecteur POWERCON. En cas de doute, adressez-vous au centre de SAV RCF le plus proche.

ALIMENTATION ÉLECTRIQUE

Le système accepte les tensions secteur de 115 et 230 V~ (+15/-15%).

VALEUR DE FUSIBLE F1	F15 AL 250 V ~
VALEUR DE FUSIBLE F2	T 10 AL 250 V ~
VALEUR DE FUSIBLE F3	T 10 AL 250 V ~

AVERTISSEMENT



AVERTISSEMENT





Les accessoires suivants compatibles avec le TTL56-A sont disponibles séparément :

13360135 COVER TTS56

HOUSSE DE PROTECTION POUR UN TTS56-A.



13360140 FRONT WOOD COVER TTS56-A

PROTECTION FRONTALE EN BOIS À FIXATION RAPIDE POUR SUBWOOFER TTS56-A.

À utiliser pour protéger la grille de l'enceinte pendant son transport.
Compatible avec la housse pour TTS56-A.



13360138 AC POWER CABLE 6XTTL55

CÂBLE SECTEUR.

Nous suggérons une unité pour six TTL55 et une unité pour six TTS56 SUB.
Entièrement compatible avec la série Socapex SL 419.



13360145 AC POWER BOX 6XTTL55

BOÎTIER DE SCÈNE EUROPÉEN POUR SIX MODULES LINE ARRAY TTL55-A OU SIX
MODULES TTS56-A.

Nous suggérons une unité pour six TTL55 et une unité pour six TTS56 SUB.
Entièrement compatible avec la série Socapex SL 419.



13360146 AC POWER EXTENSION TTL55

RALLONGE SECTEUR.

Rallonge secteur (AC) de 20 mètres.
Entièrement compatible avec la série Socapex SL 419.



**DONNÉES ACOUSTIQUES**

Bande passante	30 - 120 Hz
Niveau SPL max.	145 dB
Fréquence de coupure	60 Hz/ 90 Hz

TRANSDUCTEURS

Basse fréquence	2 woofers néodyme 21" avec bobine mobile 4,5"
------------------------	--

AMPLIFICATEURS

2 amplificateurs numériques 3400 watts
2 alimentations à découpage PFC

ENTRÉES

Entrée/sortie audio	XLR mâle/femelle
Entrée/sortie de puissance	Powercon mâle/femelle
Entrée/sortie RDNet	Ethercon Cat5

COMMANDES

Réglage de sensibilité (de -2 dBu à 10 dBu)
Coupe-bas, sélection de la coupure
Réglage de delay
Directivité cardioïde, bypass RDNet
Réglages utilisateur (RDNet)

TRAITEMENT PAR DSP

Passe-haut, passe-bas, égalisation
Traitements en sortie de filtre
Limiteur rapide, compresseur de dynamique
Limiteur RMS

SPÉCIFICATIONS PHYSIQUES

Dimensions (l, h, p)	550 mm, 1100 mm, 950 mm
Poids net	90 Kg
Matériau du coffret	Multipli de boulot de la Baltique
Équipements	4 roulettes bleues de 100 mm 6 poignées moulées Barres pour chariot élévateur



www.rcfaudio.com

RCF SpA: Via Raffaello, 13 - 42124 Reggio Emilia > Italy
tel. +39 0522 274411 - fax +39 0522 274484 - e-mail: rcfservice@rcf.it

10307256 Rev.C