

# V-BR 2X COMPACT M 08

PAIR OF VERTICAL BRACKETS

## DESCRIPTION

Pair of vertical brackets for COMPACT M 08 speakers wall mounting.



## FEATURES

- COMPACT M SERIES approved original accessory
- Safe and quick loudspeaker installation
- Steel construction
- Painted with scratch resistant paint, black RAL 9005 and white RAL 9003

**TECHNICAL SPECIFICATIONS**

<b>Physical specifications</b>	Cabinet/Case Material:	Steel
	Color:	Black - RAL 9005, White - RAL 9003

<b>Size</b>	Height:	245 mm / 9.65 inches
	Width:	299 mm / 11.77 inches
	Depth:	53 mm / 2.09 inches
	Weight:	3.2 kg / 7.05 lbs

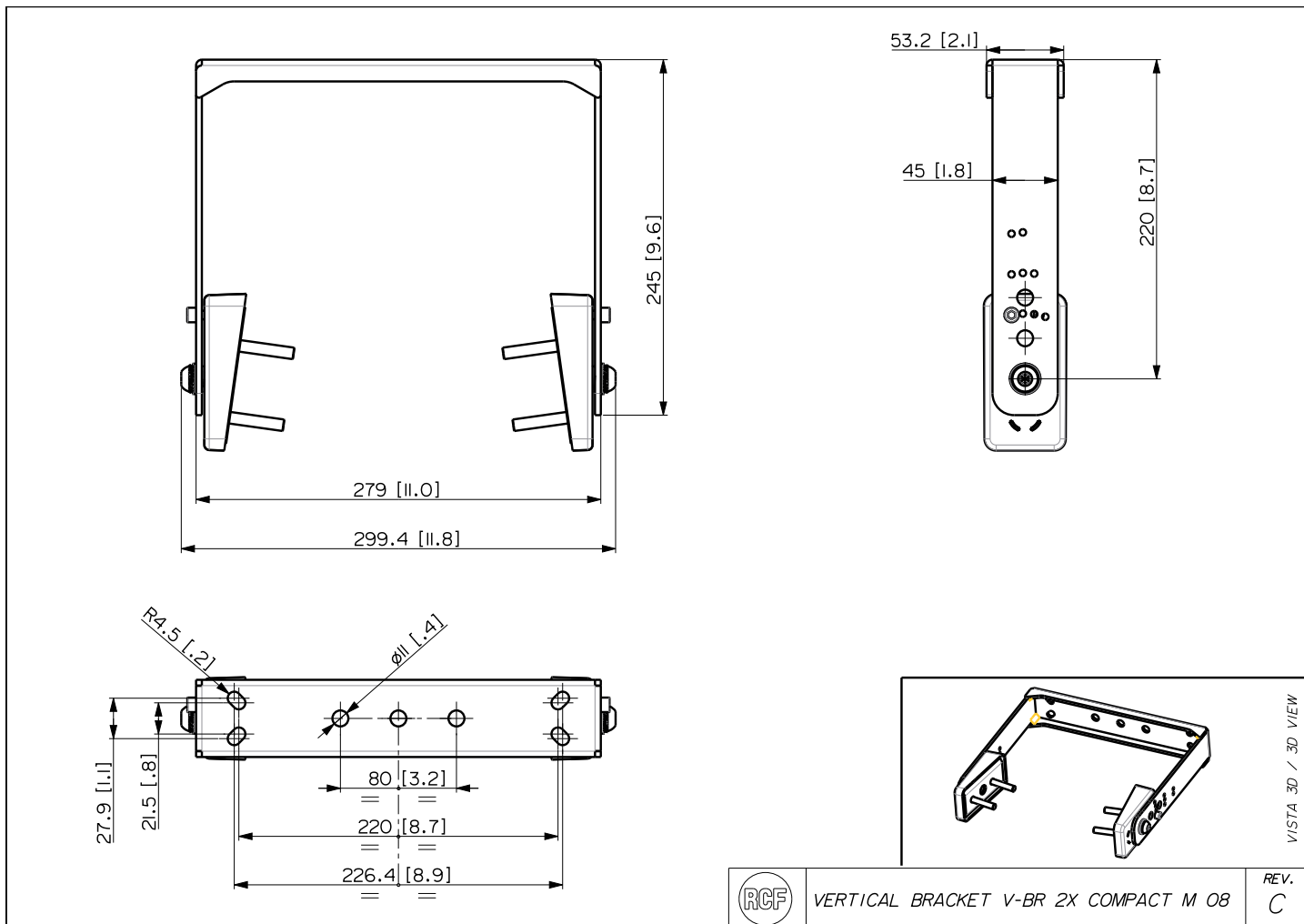
<b>Shipping informations</b>	Package Height:	55 mm / 2.17 inches
	Package Width:	340 mm / 13.39 inches
	Package Depth:	280 mm / 11.02 inches
	Package Weight:	3.5 kg / 7.72 lbs

**PART NUMBER**• **13360465**

V-BR 2X COMPACT M 08 W  
White - RAL 9003

• **13360446**

V-BR 2X COMPACT M 08  
Black - RAL 9005  
EAN 8024530018290



VERTICAL BRACKET V-BR 2X COMPACT M 08

REV.  
C