



V-BR TT 4

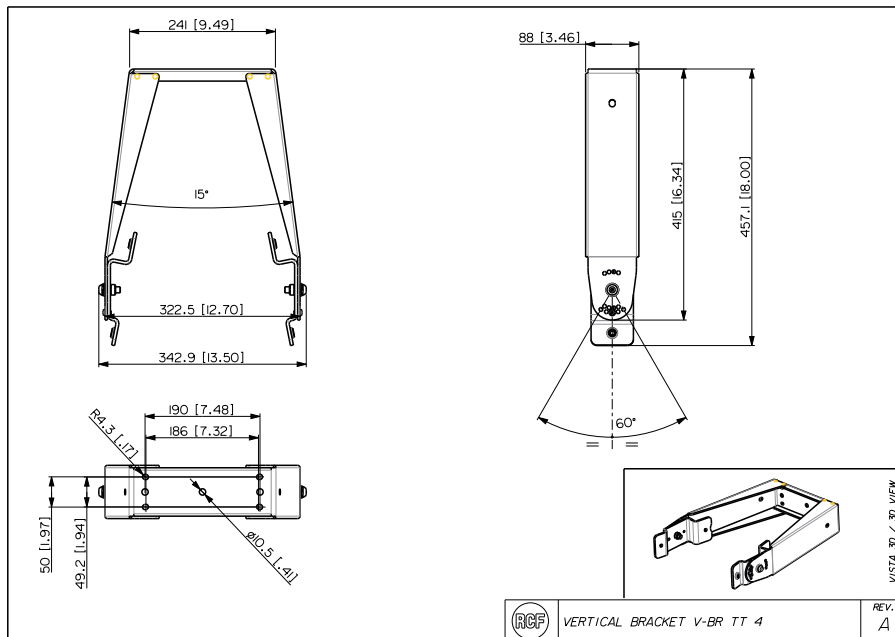
VERTICAL BRACKET



Description Vertical U Bracket for TT 4 series.

Standard compliance Safety agency CE compliant
Size Weight 5.5 kg / 12.13 lbs
Physical specifications Color Black

Line Art 2D



Part Number 13360427 V-BR TT 4

Black

EAN 8024530017637

Technical Specifications

Products are continually improved. All specifications are therefore subject to change without notice.