



# V-BR TT 4

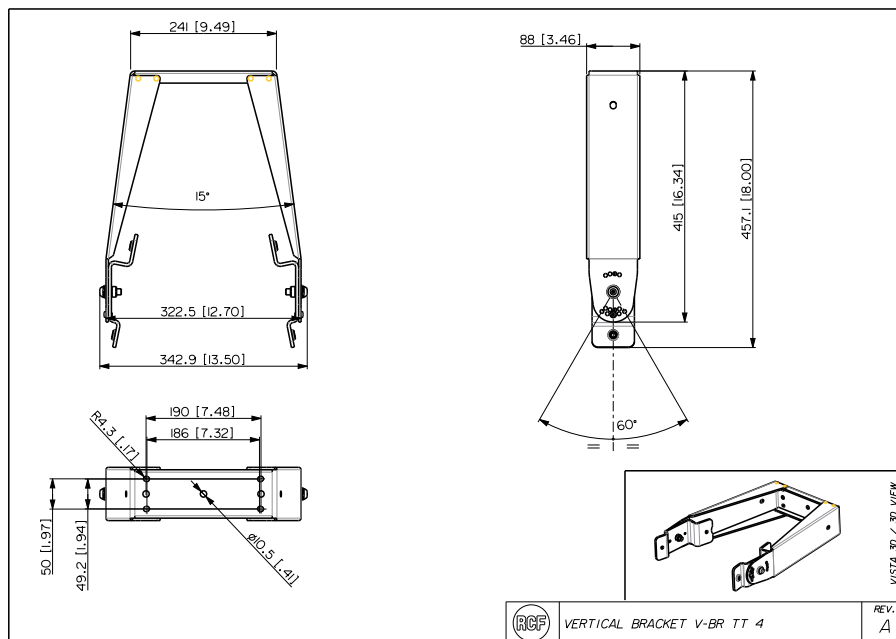
SUPPORT VERTICAL



**Description** Support vertical en étrier Série TT 4.

<b>Conformité standard</b>	Safety agency	CE compliant
<b>Taille</b>	Poids	5.5 kg / 12.13 lbs
<b>Specifications physiques</b>	Couleur	Black

**Line Art 2D**



**Numéro De Pièce** 13360427 V-BR TT 4

Black

EAN 8024530017637

**Spécifications**

Products are continually improved. All specifications are therefore subject to change without notice.