



**BUSINESS** MUSIC



# CONTENTS

## AMPLIFIERS

A click on the product name leads directly to the relevant catalog page

DMA SERIES		
DMA 504	pag.	8
DMA 82	pag.	10
DMA 162	pag.	10

DMA SERIES		
DMA 162P	pag.	12
DMA ACCESSORIES	pag.	14
DMA CONNECT	pag.	16

## SPEAKERS

COMPACT M SERIES		
COMPACT M 12	pag.	18
COMPACT M 10	pag.	19
COMPACT M 08	pag.	20
COMPACT M 06	pag.	21
COMPACT M 05	pag.	22
COMPACT M 04	pag.	23
COMPACT M ACCESSORIES	pag.	24

PREMIUM SERIES		
WMR 60T	pag.	26
WMR 50T	pag.	27
CMR 60T	pag.	28
CMR 50T	pag.	29
CMR CEILING ACCESSORIES	pag.	30

MONITOR SERIES		
MQ 80P	pag.	31
MR 50	pag.	32
MR 50T	pag.	32
MR 40	pag.	33
MR 40T	pag.	33
DM 61	pag.	34
DM 41	pag.	35
WMF 33EN	pag.	36

CEILING SPEAKERS		
MF 33EN	pag.	37
PL 8X	pag.	38

CEILING SPEAKERS		
PL 6X	pag.	39
MQ 50C	pag.	40
PL 60	pag.	41
PL 50	pag.	42
PL 40	pag.	43

VSA II SERIES		
VSA 2050 II	pag.	46
VSA 1250 II	pag.	47
VSA 850 II	pag.	48
VSA II ACCESSORIES	pag.	49

COLUMN SPEAKERS		
L 2406T	pag.	50
MQ 100L	pag.	51

PROJECTOR SPEAKER		
BS 5EN	pag.	52

PENDANT SPEAKER		
BS 5EN	pag.	53

SUB S SERIES		
S 15	pag.	54
S 12	pag.	55
S 10	pag.	56
SUB S ACCESSORIES	pag.	57

## ELECTRONICS

RDNET CONTROL 8	pag.	58
-----------------	------	----

RDNET CONTROL 2	pag.	59
-----------------	------	----

## APPLICATION EXAMPLES

A click on the application name leads directly to the relevant catalog page

SMALL SHOP	pag.	60
LARGE RETAIL SHOP	pag.	61
MEETING ROOM	pag.	62
BAR AND PUB	pag.	63
RESTAURANT	pag.	64
MULTI-ROOM RISTO CLUB	pag.	65

SUPERMARKET	pag.	66
FITNESS CENTER	pag.	67
SHOPPING CENTER	pag.	68
DANCE FLOOR	pag.	69
LIVE STAGE	pag.	70

A click on the page number leads directly to the index.

# RCF Sound Culture

RCF is one of the oldest manufacturers of professional audio equipment, loudspeakers, electronics, DSP, and custom solutions for any sound and place.

Since 1949, RCF has been committed to the perfect reproduction and amplification of sound for events and concerts, recording, public address, broadcast, and Hi-Fi/portable audio. Italian design excellence in the audio universe. All products and components design and development take place in-house to ensure maximum quality and reliability. The comprehensive catalog covers all aspects of the audio chain and meets musicians, sound engineers, architects, and system integrators' requirements.

Innovation comes first and foremost, thanks to the RCF R&D team, creators of many original products and technologies, such as the hyper-venting system, the inside/outside voice coil, the dual silicone spiders, and countless mechanical, digital, and leading-edge electronic solutions. RCF is always at the forefront of new technologies and materials, providing tools, documentation, technical support, and training to help professionals deliver the best sound to the listener. RCF has always shared its engineers' knowledge, experience, and skills in training all audio professionals and enthusiasts. Simultaneously, the internal support engineering team is on hand to assist architects, system designers, or integrators during the design and customization of complex systems.

The solid technical expertise built on nearly 70 years of history, the modern Italian manufacturing facility, and the continuous technological improvement make RCF an essential reference for all audio professionals and enthusiasts. You can find RCF everywhere, in concert venues, recording studios, airports, conference halls, discotheques, public spaces, clubs, cruises, or in the hands and houses of countless musicians.



## INTEGRATION

RCF is one of only a few loudspeaker manufacturers worldwide who completely manufactures transducers, speaker systems and amplification and control electronics. Our portfolio is one of the most comprehensive in the market place today offering true integrated audio solutions.

## QUALITY FIRST

The success of our products starts with the design and the choice of the highest quality components. Each detail of an RCF product is realized following the strictest design and construction criteria, which guarantee maximum performance in all circumstances and maximum reliability over time.

# New perspective on linearity



## **FIRPHASE**

When paired with RCF digital matrix amplifiers, RCF BUSINESS MUSIC speakers feature an advanced FIR filtering technology, conceived to deliver transparent sound, absolute clarity, and perfect stereo images to the listener. The special FIRPHASE filters allow for coherent distribution of sound for all listeners without phase distortions, ensuring minimum latencies in the system.

# Networked management



## **RDNet READY**

The RCF RDNet software is the perfect tool to configure and manage RCF units in any venue. It helps to monitor and control all DSP settings and ensure the best system's performance. RDNet is a secure and robust management tool for small, medium, and large-sized systems and complex and extended installations. Based on a proprietary network protocol RDNet, it provides straightforward monitoring and intuitive control of the RCF audio system down to every connected device/object.



## **SOLUTION PROVIDER**

From architectural design and industry standard speakers to digital steerable arrays, from compact near field two-way systems to large horn-loaded formats, all RCF solutions designed for fixed installations uncompromised sound performance together with components highest quality and conformity to all required international standards.

## **CUSTOMERS SUPPORT**

RCF has always been committed in providing complete support to its customers helping them to choose the most suitable solutions for their projects. The involvement in complex projects around the world is continually raising the know-how and experience of our team, considered one of the best Engineering Support Group in our industry.

# RCF Business Music

## COMPLETE AUDIO SOLUTIONS

The RCF BUSINESS MUSIC range marks a new standard in high-quality music reinforcement. Scalable and flexible architectures, providing architects and installers with application-focused products conceived for both background and foreground music. It is the perfect solution from small to large installations, distributing several audio feeds in multiple environments, each with specific volume and equalization needs.



### IMPROVE THE AUDIO ATMOSPHERE

Music nurtures engagement and improves the feeling of hospitality provided by the environment. All products designed for BUSINESS MUSIC applications offer optimal background performance preserving the same quality even in high-powered foreground music.

### DISCREET POWER

Our designers maintain a strong focus on simplicity without compromising usability. The smooth and subtle design perfectly blends with any architecture without compromising sound performance and installation ease.

The target application range is extensive and varies from retail stores to bars and restaurants, meeting rooms, education, sport or public facilities, and in general, to any A/V application. From small to large systems, the RCF BUSINESS MUSIC range provides the smartest solution, blending uncompromised sound quality, full processing features, exceptional power, easy configuration, and high scalability.



#### EASY AND FLEXIBLE CONFIGURATION

Flexible and easy for any user, the configuration is crucial for the success of a sound reinforcement system. BUSINESS MUSIC line offers different configuration levels, from the user-friendly front panel control interface to remote RDNet control for large and complex systems.

#### SCALABLE ARCHITECTURE

Control units can distribute multiple audio channels to satellite units on a single CAT5 cable: this allows an increase of the installed power and creates a multi-room architecture, with easy devices connection.

# DMA

## DIGITAL MATRIX AMPLIFIER

### FOUR CHANNELS MATRIX AMPLIFIER

DMA 504 is a four channels Class-D matrix amplifier equipped with a powerful DSP platform, allowing managing inputs and outputs in terms of routing and equalization: a complete set of processing functions is available, including PEQ, FIR filters, bass enhancement, limiters, compressors and environmental equalization. Moreover, specific presets for RCF speakers have been implemented, and can be selected to optimize their acoustic performance.

DMA 504 features lightweight 2 rack units size and accurate design that, together with its environmental robustness, make it ideal for a wide range of applications, from retail stores to bars and restaurants, meeting rooms, education or public facilities, and more in general to any background and foreground music application. Moreover, it is suitable for both desk top or rack installation (dedicated accessory included). Each unit offers 2 stereo LINE inputs on RCA connectors and

1 MIC+LINE balanced input on removable screw terminals. A LINE output is also available, with low pass filter facility for the connection to an active subwoofer. A dedicated paging input on RJ 45 connector allows the connection of up to 4 paging consoles BM 404, interlocked on a single chain, and a wall mount remote control RC 401 can be connected to each output channel to adjust volume level and select the desired input. DMA 504 can distribute 4 audio channels to other units through an analogue audio BUS, combining a flexible and scalable multi-room architecture with an easy connection and installation. Configuration is also very user friendly, and can be done through the front panel controls (with OLED display), or RDNet.



- 4 x 500 W Class-D power amplifier
- 20 ÷ 20000 Hz frequency range
- Full on-board processing
- RCF speakers' presets
- Proprietary bass enhancer algorithm
- FIRPHASE linear phase filters

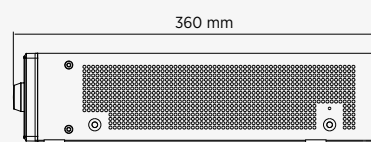
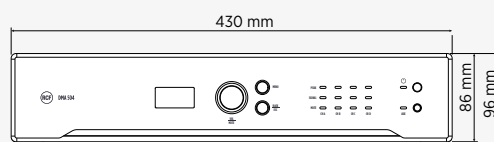
- Flexible and scalable multi-room architecture
- RDNet for networked management
- Remote controls and paging console accessories
- 96x430x360 mm - 3.78"x16.93"x14.17" (HxWxD)
- 6.2 kg - 13.67 lbs



### DMA 504

4 x 500 W (@ 4 ohm)

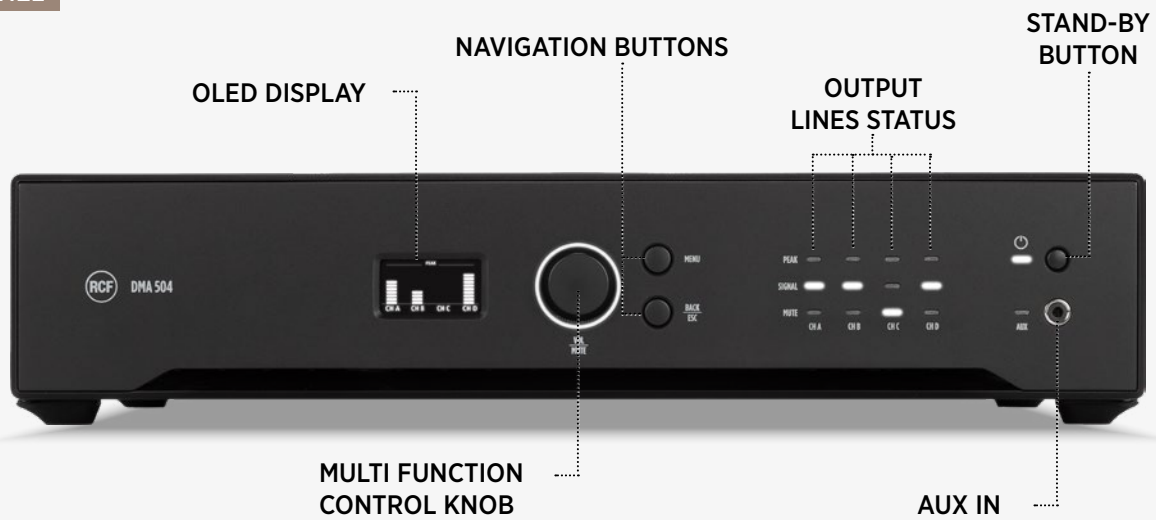
p.n. 12100035 (EU) - 12100048 (US) - 12100049 (UK)



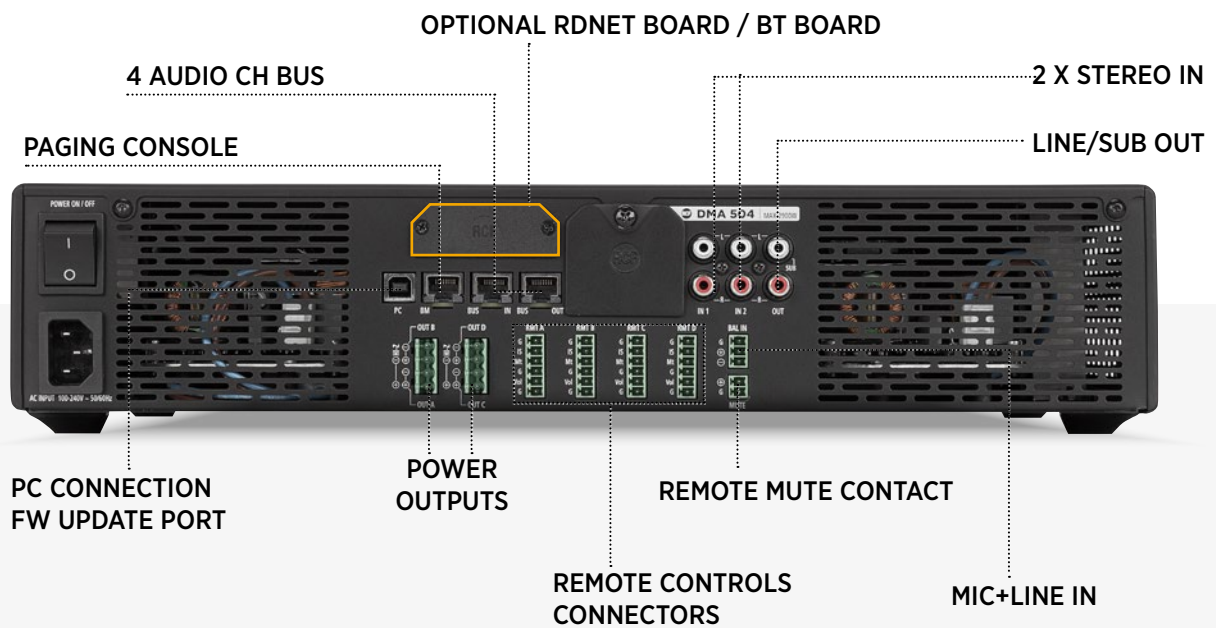




**FRONT PANEL**



**REAR VIEW**



# DMA

## DIGITAL MATRIX AMPLIFIER

### TWO CHANNELS MATRIX AMPLIFIER

DMA 82 and DMA 162 are two channels Class-D matrix amplifiers equipped with a powerful DSP platform, allowing managing inputs and outputs in terms of routing and equalization: a complete set of processing functions is available, including PEQ, FIR filters, bass enhancement, limiters, compressors and environmental equalization. Moreover, specific presets for RCF speakers have been implemented, and can be selected to optimize their acoustic performance.

DMA 82 and DMA 162 feature an extremely compact size and accurate design that, together with their environmental robustness, make them ideal for a wide range of applications, from retail stores to bars and restaurants, meeting rooms, education or public facilities, and more in general to any background music application. Moreover, they are suitable for both desk top and rack installation (dedicated optional accessory).

Each unit offers 2 stereo LINE inputs on RCA connectors and

1 MIC+LINE balanced input on removable screw terminals. A LINE output is also available, with low pass filter facility for the connection to an active subwoofer. A dedicated paging input on RJ 45 connector allows the connection of up to 4 paging consoles BM 404, interlocked on a single chain. A wall mount remote control RC 401 can be connected to each output channel to adjust volume level and select the desired input.

DMA 82 and DMA 162 can distribute 4 audio channels to satellite DMA 162P units through an analogue audio BUS, combining a flexible and scalable multi-room architecture with an easy connection and installation. Configuration is also very user friendly, and can be done through the front panel controls (with OLED display), or RDNet.



- Class-D power amplifier
- 20 ÷ 20000 Hz frequency range
- Full on-board processing
- RCF speakers' presets
- Proprietary bass enhancer algorithm
- FiRPHASE linear phase filters

- Flexible and scalable multi-room architecture
- Suitable for desktop or rack installation
- RDNet for networked management
- Remote controls and paging console accessories
- 44x213x314 mm - 1.73"x8.39"x12.36" (HxWxD)
- 3 kg - 6.61 lb



#### DMA 82

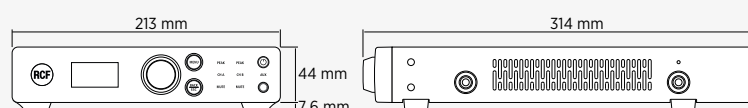
2 x 80 W RMS power handling (@ 4 ohm)

p.n. 12100026 (EU) - 12100040 (US) - 12100043 (UK)

#### DMA 162

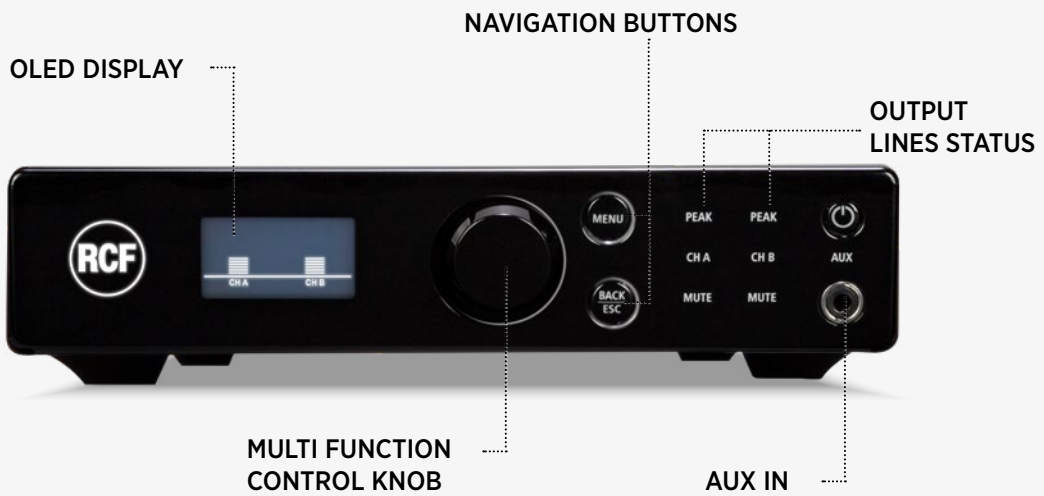
2 x 160 W RMS power handling (@ 4 ohm)

p.n. 12100027 (EU) - 12100041 (US) - 12100044 (UK)

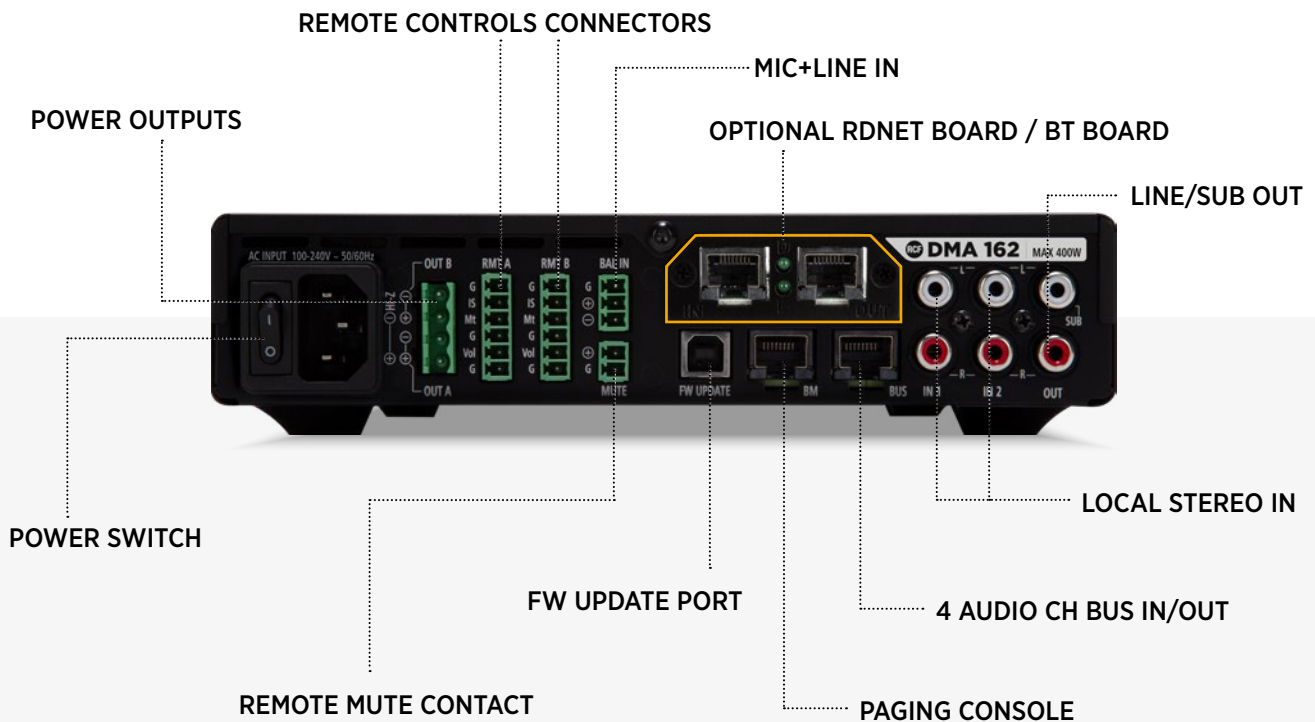




**FRONT PANEL**



**REAR VIEW**



# DMA

## DIGITAL POWER AMPLIFIERS

### TWO CHANNELS POWER AMPLIFIER

DMA 162P is a two channels class-D power amplifier, equipped with a powerful DSP platform. Its natural use is in combination with a DMA 82 and DMA 162P units, in order to increase Commercial Audio systems installed power and to implement multi-room architectures. However, its configurability, control tools and available inputs allow to use it as a stand alone amplifier.

DMA 162P feature an extremely compact size and accurate design that, together with their environmental robustness, make them ideal for a wide range of applications, from retail stores to bars and restaurants, meeting rooms, education or public facilities, and more in general to any background music application. Moreover, they are suitable for both desk top and

rack installation (dedicated optional accessory).

DMA 162P can receive processed or flat audio signals from DMA 82 and DMA 162 units on a 4 channels audio BUS (2 mono or 1 stereo), or in alternative, it is possible to select the local stereo LINE input on RCA connectors using the dedicated contact. A LINE output is also available, with low pass filter facility for the connection to an active subwoofer.

Configuration is easy and flexible, and can be done with DIP-SWITCH on the rear panel, or RDNet (using the optional board).



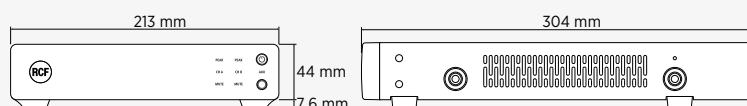
- 2 x 160W RMS Class-D power amplifier
- 20 ÷ 20000 Hz frequency range
- Full on-board processing
- FiRPHASE linear phase filters
- RCF speakers presets
- Proprietary bass enhancer algorithm
- Flexible and scalable multi-room architecture
- Suitable for desk-top or rack installation
- RDNet ready for networked management
- MUTE command for the connection to Voice Alarm Systems
- 44x213x304 mm - 1.73"x8.39"x11.97" (HxWxD)
- 4 kg - 8.82 lb



#### DMA 162P

320 W RMS power handling (@ 4 ohm)

p.n. 12100028 (EU) - 12100042 (US) - 12100045 (UK)

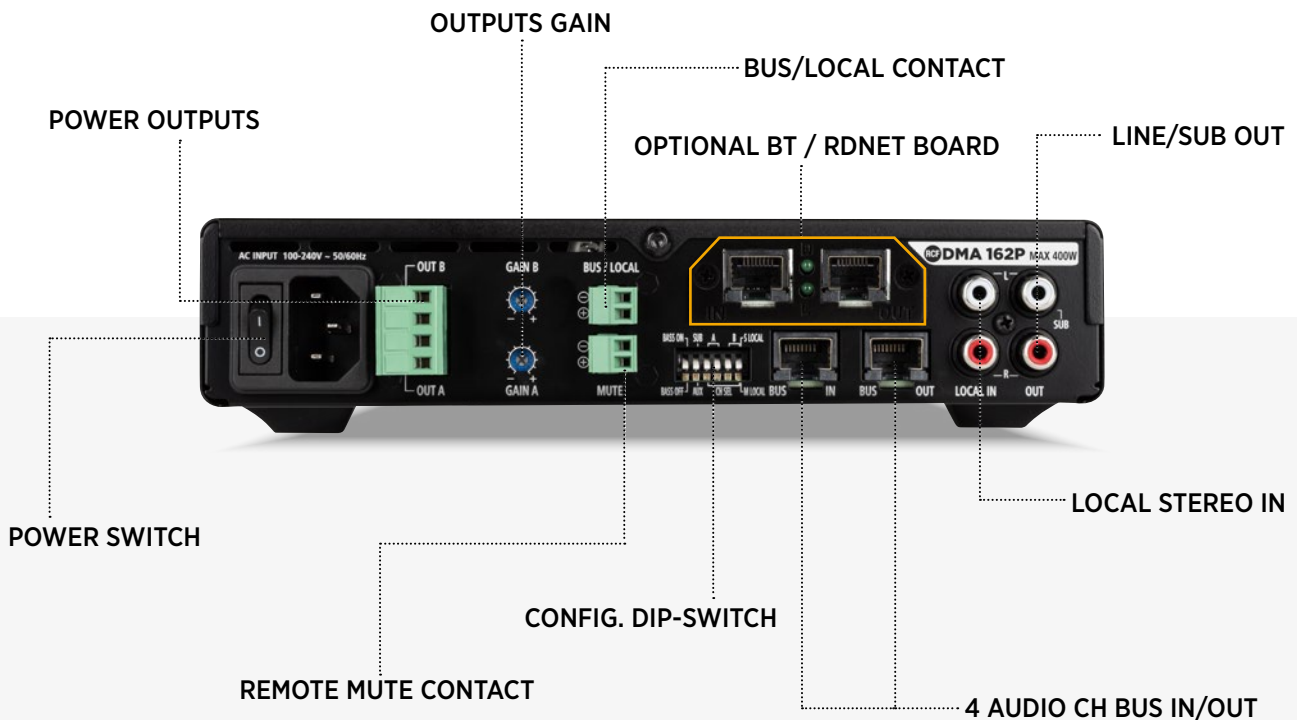




**FRONT PANEL**



**REAR VIEW**



# DMA ACCESSORIES

## UNITS CONNECTION

DMA units can distribute 4 audio channels to DMA 162P satellite units. This allows to increase the installed power and create a multi-room architecture. Connection can be done with just 1 CAT 5 CABLE.

Each DMA 162P unit can be differently set (using the DIP-SWITCH on the rear panel) to receive the desired channels.



Select CH 1-2 stereo



Select CH 3 mono



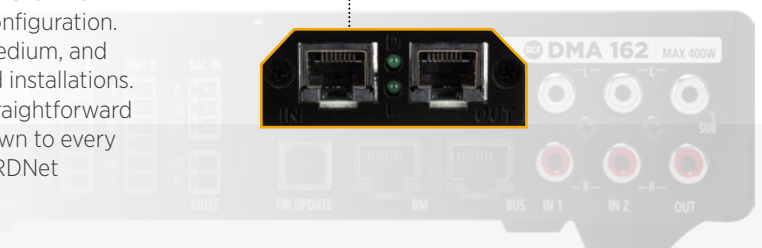
Select CH 4 mono

## OPTIONAL RDNNet BOARD

The RCF RDNNet is the perfect tool to configure and manage DMA units setup in any venues. The software helps to monitor and control all DSP setting and to secure the best performance of the system configuration. RDNNet is a secure and robust management tool for small, medium, and arena-sized sound systems as well as complex and extended installations. Based on a proprietary network protocol RDNNet provides straightforward monitoring and intuitive control of the RCF audio system down to every connected device/object. Remote control from PC requires RDNNet Control USB device

## RDNNet BOARD DMA

p.n. 12399048



## RM-KIT DMA - RACK MOUNT KIT

It is an accessory allows to install one or two DMA 82, DMA 162 and DMA 162P amplifier units inside standard 19" rack cabinets. In case of a single amplifier, a blind panel is included to close the empty half rack unit. It also includes a set of brackets for amplifier wall mount installation.

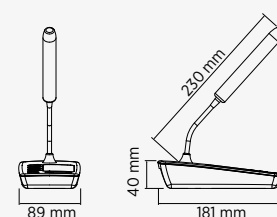
p.n. 13360426





### BM 404 - DESKTOP PAGING CONSOLE

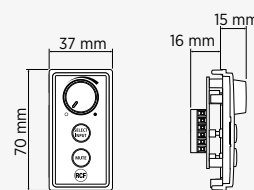
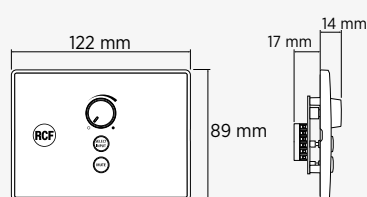
BM 404 is a desktop paging console that allows making selective calls to 4 zones. Specifically designed as a complement for DMA amplifiers, the console is made of a shock-resistant polymeric body, fitted with an electret microphone on a 230 mm gooseneck, and a polyurethane foam windscreen. Connect up to 4 consoles on a single chain (interlocked) to each amplifier with a CAT5 cable (included). Dedicated buttons with LEDs allow for microphone activation and zone selection. Chime tone is selectable with a single on/off switch. The RCF BM 404 is ready to use out of the box and does not require any configuration.



p.n. 14322031

### RC 401 - WALL MOUNT REMOTE CONTROL

RC 401 is a wall mount remote control that works in combination with DMA units. It can be connected to each DMA power output and allows adjusting the output volume, muting it or selecting the desired input program. Available in black and white colour.



**RC 401 EU B** p.n. 12399051 (EU) Black - RAL 9005

**RC 401 EU W** p.n. 12399052 (EU) White - RAL 9003

**RC 401 US B** p.n. 12399053 (US) Black - RAL 9005

**RC 401 US W** p.n. 12399054 (US) White - RAL 9003

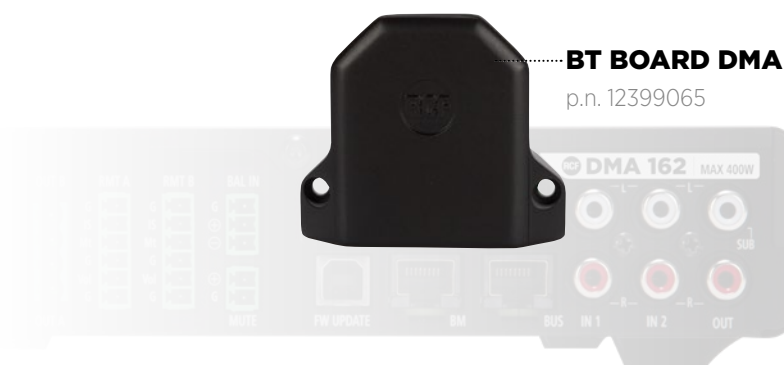
# DMA CONNECT

WIRELESS BLUETOOTH® STREAMING AND CONTROL

## OPTIONAL BT BOARD DMA

The BT BOARD is an additional board that allows to connect a DMA amplifier to a mobile device using Bluetooth 5.0 technology.

This makes possible to send audio from the mobile device to the amplifier and at the same time control it, in terms of levels and equalization of inputs and outputs.



**BT BOARD DMA**

p.n. 12399065



The DMA Connect app for Android and iOS provides wireless control of RCF DMA Series Business Music amplifiers. Thanks to its accurate and user-friendly interface, it gives access to DMA settings such as input and output levels, equalizers, routing, speaker presets selection, device information, and real-time VU-meters. Advanced settings for expert users are also available together with many useful features, including customizable names for input, outputs, and devices.

The app is available as a free download on Apple Store and Google Play store.

It shall be used in combination with BT BOARD DMA, the additional board that connects DMA amplifiers to mobile devices over Bluetooth, allowing audio streaming and control.

DMA Connect offers a complete set of configuration functions and real-time information:

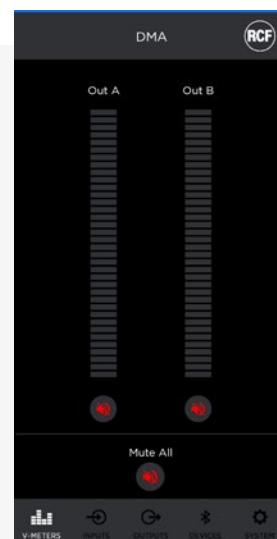
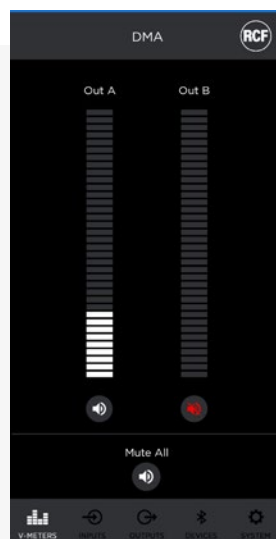
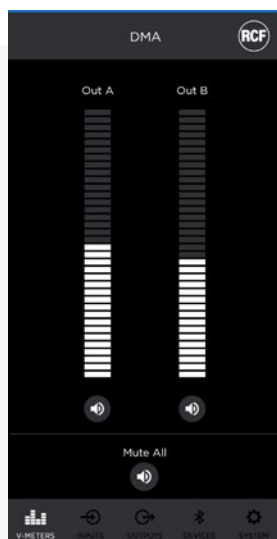
- input settings (level, mute, 3-band equalizer)
- output settings (level, mute, bass-enhancer, routing, speakers' preset selection)
- global mute
- output signals graphic VU-Meters
- device information
- customizable device, input and outputs names
- advanced input management for more skilled users
- BT BOARD DMA firmware update

*iOS and App Store are service marks of Apple Inc.*

*Android and Google Play are trademarks of Google Inc.*

## VU-Meters

It is possible to MUTE each channel, or both using the MUTE ALL button



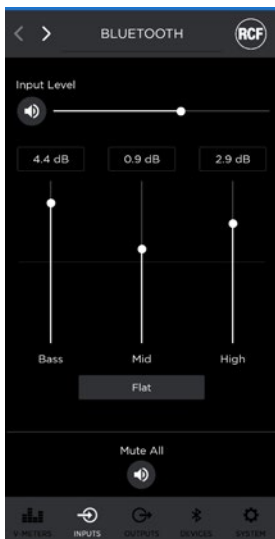




## INPUTS

In the INPUTS screen, all available inputs can be selected and processed in terms of:

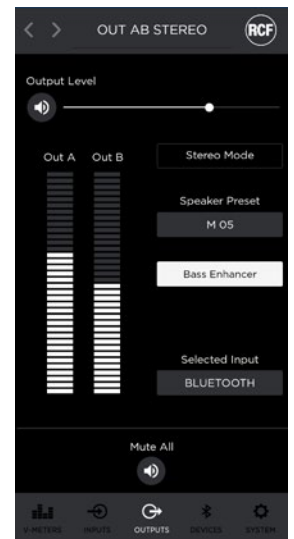
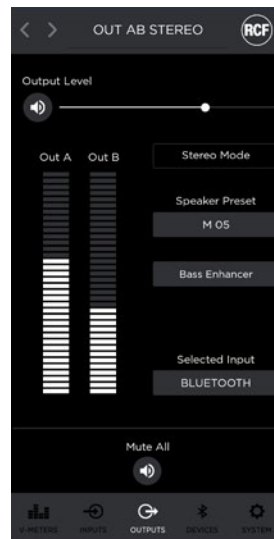
- Level
- Three band equalizer



## OUTPUTS

In the OUTPUTS screen, available outputs can be managed in terms of:

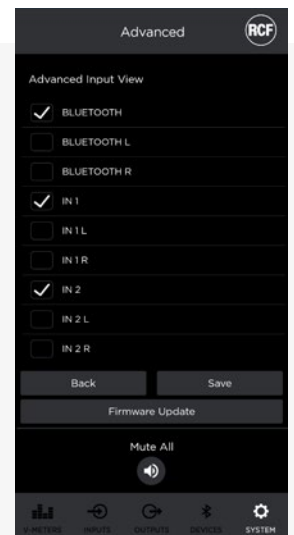
- Level
- Speaker Preset (password needed)
- Bass Enhancer activation
- Input Selection



## SYSTEM

In the SYSTEM screen, devices information are shown in a dedicated table, and these commands are available:

- Disconnect
- Advanced (password needed): it opens the list of all inputs, that can be made visible together for advanced settings tasks.
- A Firmware Update button allows to update the BT BOARD DMA firmware (not the amplifier firmware).



# M12

## COMPACT M

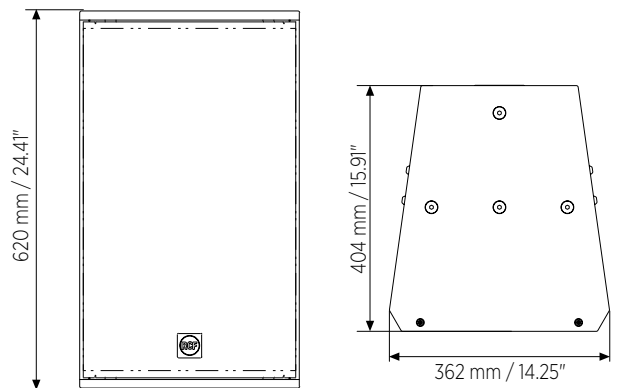


### COMPACT M 12

#### TWO-WAY PASSIVE SPEAKER

COMPACT M 12 is a multipurpose two-way full-range speaker system, suitable for a wide range of applications. Its balanced sound is a big asset in near-field applications for the best intelligibility. The M 12 features high sensitivity, typical of professional audio cabinets thanks to the use of oversized magnets and a HI-FI sound quality, with smooth and wide frequency response, thanks to the wave-guided compression driver. The SPL level of low-distortion audio the M 12 can provide goes far beyond expectations of such a compact solution. The elegant and compact design with accurate finishing makes M 12 suitable for almost any environment, even with architectural constraints. Optional mounting accessories allow using M 12 on wall or ceiling installations.

- 300 W RMS power handling
- 129 dB max SPL
- 55 ÷ 20000 Hz frequency range
- 90° x 70° constant directivity coverage angle
- 1 x 12" high power woofer
- 1 x 1.4" voice coil compression driver
- High quality plywood cabinet
- Steel front grille with clothing



PRODUCT NAME		PART NUMBER
<b>COMPACT M 12</b>	Black - RAL 9005	<b>13000596</b>
<b>COMPACT M 12 W</b>	White - RAL 9003	<b>13000724</b>

#### Acoustical specifications

Frequency Response (-10dB):	55 Hz ÷ 20000 Hz
Max SPL @ 1m:	129 dB
Horizontal coverage angle:	90°
Vertical coverage angle:	70°
Directivity index Q:	9
System Sensitivity:	98 dB

#### Power section

Amplification:	Full Range
Nominal Impedance:	8 ohm
Power Handling:	300 W
Peak Power Handling:	1200 W PEAK
Recommended Amplifier:	600 W
Protections:	Dynamic active mosfet
Crossover Frequencies:	1800 Hz

#### Transducers

Dome Tweeter:	1 x 1.0", 1.4" v.c
Woofer:	12", 2.5" v.c

#### Input/Output section

Input connectors:	Euroblock
Output connectors:	Euroblock

#### Physical Specifications

Cabinet/Case Material:	Plywood
Hardware:	8 x M8, 8 x M10
Grille:	Steel with clothing
Dimensions (HxWxD):	24.41"x14.25"x15.91"   620x362x404 mm
Weight:	10.5 kg   23.15 lbs

#### Accessories

	Specifications pag. 24
PNL IN-OUT SPEAKON COMPACT M	p.n. 12399062
SWM-BR NC	p.n. 13360199
H-BR 2X COMPACT M 12	Black - RAL 9005 p.n. 13360445
H-BR 2X COMPACT M 12 W	White - RAL 9003 p.n. 13360464
V-BR 2X COMPACT M 12	Black - RAL 9005 p.n. 13360448
V-BR 2X COMPACT M 12 W	White - RAL 9003 p.n. 13360467

# M10

## COMPACT M

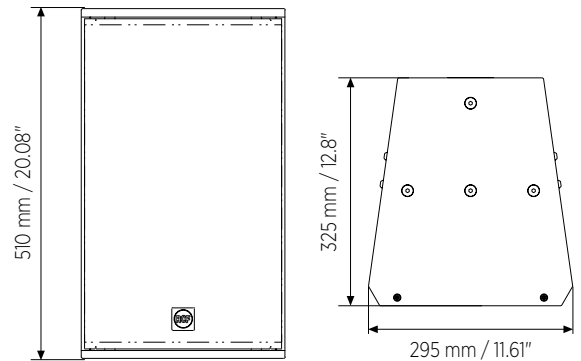


### COMPACT M 10

#### TWO-WAY PASSIVE SPEAKER

COMPACT M 10 is a multipurpose two-way full-range speaker system, suitable for a wide range of applications. Its balanced sound is a big asset in near-field applications for the best intelligibility. The M 10 features high sensitivity, typical of professional audio cabinets thanks to the use of oversized magnets and a HI-FI sound quality, with smooth and wide frequency response, thanks to the wave-guided compression driver. The SPL level of low-distortion audio the M 10 can provide goes far beyond expectations of such a compact solution. The elegant and compact design with accurate finishing makes M 10 suitable for almost any environment, even with architectural constraints. Optional mounting accessories allow using M 10 on wall or ceiling installations.

- 300 W RMS power handling
- 128 dB max SPL
- 60 ÷ 20000 Hz frequency range
- 90° x 70° constant directivity coverage angle
- 1 x 10" high power woofer
- 1 x 1.4" voice coil compression driver
- High quality plywood cabinet
- Steel front grille with clothing



PRODUCT NAME		PART NUMBER
<b>COMPACT M 10</b>	Black - RAL 9005	<b>13000595</b>
<b>COMPACT M 10 W</b>	White - RAL 9003	<b>13000723</b>

#### Acoustical specifications

Frequency Response (-10dB):	60 Hz ÷ 20000 Hz
Max SPL @ 1m:	128 dB
Horizontal coverage angle:	90°
Vertical coverage angle:	70°
Directivity index Q:	9
System Sensitivity:	98 dB

#### Power section

Amplification:	Full Range
Nominal Impedance:	8 ohm
Power Handling:	300 W
Peak Power Handling:	1200 W PEAK
Recommended Amplifier:	600 W
Protections:	Dynamic active mosfet
Crossover Frequencies:	1800 Hz

#### Transducers

Dome Tweeter:	1 x 1.0", 1.4" v.c
Woofer:	10", 2.5" v.c

#### Input/Output section

Input connectors:	Euroblock
Output connectors:	Euroblock

#### Physical Specifications

Cabinet/Case Material:	Plywood
Hardware:	8 x M8, 8 x M10
Grille:	Steel with clothing
Dimensions (HxWxD):	20.08"x11.61"x12.8"   510x295x325 mm
Weight:	17 kg   37.48 lbs

#### Accessories

	Specifications pag. 24
PNL IN-OUT SPEAKON COMPACT M	p.n. 12399062
SWM-BR NC	p.n. 13360199
H-BR 2X COMPACT M 10	Black - RAL 9005 p.n. 13360444
H-BR 2X COMPACT M 10 W	White - RAL 9003 p.n. 13360463
V-BR 2X COMPACT M 10	Black - RAL 9005 p.n. 13360447
V-BR 2X COMPACT M 10 W	White - RAL 9003 p.n. 13360466

# M O 8

## COMPACT M

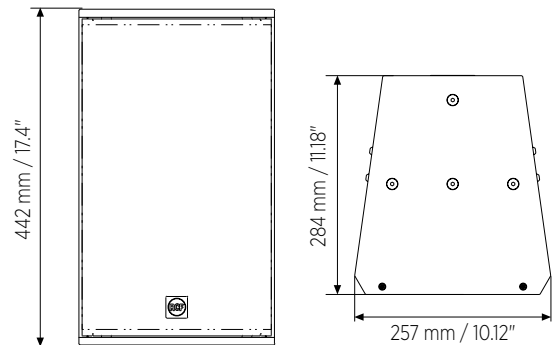


### COMPACT M 08

#### TWO-WAY PASSIVE SPEAKER

COMPACT M 08 is a multipurpose two-way full-range speaker system, suitable for a wide range of applications. Its balanced sound is a big asset in near-field applications for the best intelligibility. The M 08 features high sensitivity, typical of professional audio cabinets thanks to the use of oversized magnets and a HI-FI sound quality, with smooth and wide frequency response, thanks to the wave-guided compression driver. The SPL level of low-distortion audio the M 08 can provide goes far beyond expectations of such a compact solution. The elegant and compact design with accurate finishing makes M 08 suitable for almost any environment, even with architectural constraints. Optional mounting accessories allow using M 08 on wall or ceiling installations.

- 200W RMS power handling
- 124 dB max SPL
- 60 ÷ 20000 Hz frequency range
- 90° x 70° constant directivity coverage angle
- 1 x 8" high power woofer
- 1 x 1.4" voice coil compression driver
- High quality plywood cabinet
- Steel front grille with clothing



PRODUCT NAME		PART NUMBER
<b>COMPACT M 08</b>	Black - RAL 9005	<b>13000594</b>
<b>COMPACT M 08 W</b>	White - RAL 9003	<b>13000722</b>

#### Acoustical specifications

Frequency Response (-10dB):	60 Hz ÷ 20000 Hz
Max SPL @ 1m:	124 dB
Horizontal coverage angle:	90°
Vertical coverage angle:	70°
Directivity index Q:	9
System Sensitivity:	95 dB

#### Power section

Amplification:	Full Range
Nominal Impedance:	8 ohm
Power Handling:	200 W
Peak Power Handling:	800 W PEAK
Recommended Amplifier:	400 W
Protections:	Dynamic active mosfet
Crossover Frequencies:	1800 Hz

#### Transducers

Dome Tweeter:	1 x 1.0", 1.4" v.c
Woofer:	8", 1.7" v.c

#### Input/Output section

Input connectors:	Euroblock
Output connectors:	Euroblock

#### Physical Specifications

Cabinet/Case Material:	Plywood
Hardware:	6 x M6, 4 x M8, 2 x M10
Grille:	Steel with clothing
Dimensions (HxWxD):	17.4"x10.12"x11.18"   442x257x284 mm
Weight:	10.5 kg   23.15 lbs

#### Accessories

	Specifications pag. 24
PNL IN-OUT SPEAKON COMPACT M	p.n. 12399062
SWM-BR COMPACT M Black - RAL 9005	p.n. 13360449
SWM-BR COMPACT M W White - RAL 9003	p.n. 13360468
H-BR 2X COMPACT M 06 Black - RAL 9005	p.n. 13360461
H-BR 2X COMPACT M 06 W White - RAL 9003	p.n. 13360470

# M O G

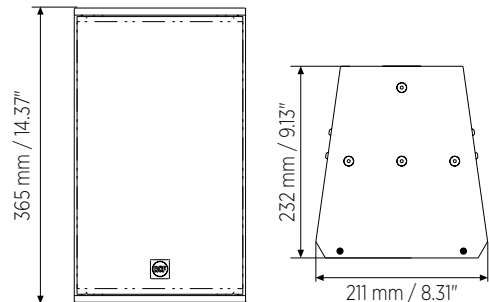
## COMPACT M

### COMPACT M 06

#### TWO-WAY PASSIVE SPEAKER

COMPACT M 06 is a multipurpose two-way full-range speaker system, suitable for a wide range of applications. Its balanced sound is a big asset in near-field applications for the best intelligibility. The M 06 features high sensitivity, typical of professional audio cabinets thanks to the use of oversized magnets and a HI-FI sound quality, with smooth and wide frequency response, thanks to the wave-guided neodymium dome tweeter. The SPL level of low-distortion audio the M 06 can provide goes far beyond expectations of such a compact solution. The elegant and compact design with accurate finishing makes M 06 suitable for almost any environment, even with architectural constraints. Optional mounting accessories allow using M 06 on wall or ceiling installations.

- 100 W RMS power handling
- 116 dB max SPL
- 60 ÷ 20000 Hz frequency range
- 120° x 80° constant directivity coverage angle
- 1 x 6" high power woofer
- 1 x 1" voice coil neodymium dome tweeter
- High quality plywood cabinet
- Steel front grille with clothing



PRODUCT NAME	PART NUMBER
<b>COMPACT M 06</b> Black - RAL 9005	<b>13000582</b>
<b>COMPACT M 06 W</b> White - RAL 9003	<b>13000721</b>

#### Acoustical specifications

Frequency Response (-10dB):	60 Hz ÷ 20000 Hz
Max SPL @ 1m:	116 dB
Horizontal coverage angle:	120°
Vertical coverage angle:	80°
Directivity index Q:	7
System Sensitivity:	90 dB

#### Power section

Amplification:	Full Range
Nominal Impedance:	8 ohm
Power Handling:	100 W
Peak Power Handling:	400 W PEAK
Recommended Amplifier:	200 W
Protections:	Dynamic active mosfet
Crossover Frequencies:	2200 Hz

#### Transducers

Dome Tweeter:	1.3" neo, 1.0" v.c
Woofer:	6.0", 1.5" v.c

#### Input/Output section

Input connectors:	Euroblock
Output connectors:	Euroblock

#### Physical Specifications

Cabinet/Case Material:	Plywood
Hardware:	4 x M6, 2 x M8
Grille:	Steel with clothing
Dimensions (HxWxD):	14.37"x8.31"x9.13"   365x211x232 mm
Weight:	12.13 lbs   5.5 kg

#### Accessories

	Specifications pag. 24
PNL IN-OUT SPEAKON COMPACT M	p.n. 12399062
SWM-BR COMPACT M Black - RAL 9005	p.n. 13360449
SWM-BR COMPACT M W White - RAL 9003	p.n. 13360468
H-BR 2X COMPACT M 06 Black - RAL 9005	p.n. 13360461
H-BR 2X COMPACT M 06 W White - RAL 9003	p.n. 13360470

# M05

## COMPACT M

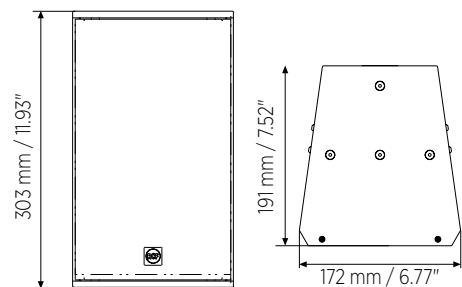
### COMPACT M 05

#### TWO-WAY PASSIVE SPEAKER

COMPACT M 05 is a multipurpose two-way full-range speaker system, suitable for a wide range of applications. Its balanced sound is a big asset in near-field applications for the best intelligibility. M 05 features high sensitivity, typical of professional audio cabinets thanks to the use of oversized magnets and a HI-FI sound quality, with smooth and wide frequency response, thanks to the wave-guided neodymium dome tweeter. The SPL level of low-distortion audio the M 05 can provide goes far beyond expectations of such a compact solution. The elegant and compact design with accurate finishing makes M 05 suitable for almost any environment, even with architectural constraints. Optional mounting accessories allow the use of the M 05 on wall or ceiling installations.



- 80 W RMS power handling
- 115 dB max SPL
- 70 ÷ 20000 Hz frequency range
- 120° x 80° constant directivity coverage angle
- 1 x 5" high power woofer
- 1 x 1" voice coil neodymium dome tweeter
- High quality plywood cabinet
- Steel front grille with clothing



PRODUCT NAME	PART NUMBER
<b>COMPACT M 05</b> Black - RAL 9005	<b>13000581</b>
<b>COMPACT M 05 W</b> White - RAL 9003	<b>13000720</b>

#### Acoustical specifications

Frequency Response (-10dB):	70 Hz ÷ 20000 Hz
Max SPL @ 1m:	115 dB
Horizontal coverage angle:	120°
Vertical coverage angle:	80°
Directivity index Q:	7
System Sensitivity:	89 dB

#### Power section

Amplification:	Full Range
Nominal Impedance:	8 ohm
Power Handling:	80 W
Peak Power Handling:	320 W PEAK
Recommended Amplifier:	160 W
Protections:	2200 Hz
Crossover Frequencies:	2200 Hz

#### Transducers

Dome Tweeter:	1.3" neo, 1.0" v.c
Woofer:	5.0", 1.2" v.c

#### Input/Output section

Input connectors:	Euroblock
Output connectors:	Euroblock

#### Physical Specifications

Cabinet/Case Material:	Plywood
Hardware:	4 x M6, 2 x M8
Grille:	Steel with clothing
Dimensions (HxWxD):	11.93"x6.77"x7.52"   303x172x191 mm
Weight:	9.92 lbs   4.5 kg

#### Accessories

	Specifications pag. 24
PNL IN-OUT SPEAKON COMPACT M	p.n. 12399062
SWM-BR COMPACT M Black - RAL 9005	p.n. 13360449
SWM-BR COMPACT M W White - RAL 9003	p.n. 13360468
H-BR 2X COMPACT M 05 Black - RAL 9005	p.n. 13360460
H-BR 2X COMPACT M 05 W White - RAL 9003	p.n. 13360469

# M04

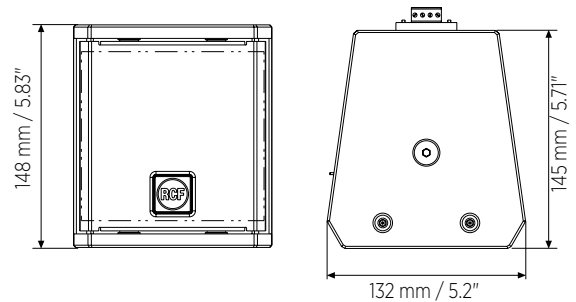
## COMPACT M

### COMPACT M 04

#### TWO-WAY PASSIVE SPEAKER

COMPACT M 04 is a multipurpose two-way full-range coaxial speaker system, suitable for a wide range of applications. Its balanced sound is a big asset in near-field applications for the best intelligibility. M 04 features high sensitivity, thanks to the use of oversized magnets, and a HI-FI sound quality, with smooth and wide frequency response. The SPL level of low-distortion audio the M 04 can provide goes far beyond expectations of such a compact solution. The elegant and compact design with accurate finishing makes M 04 suitable for almost any environment, even with architectural constraints. Included wall mount bracket allow the use of the M 04 on wall or ceiling installations.

- 60W RMS power handling
- 113 dB max SPL
- 90 ÷ 20000 Hz frequency range
- 120° x 120° constant directivity coverage angle
- 1 x 4" coax woofer
- 1 x 1" voice coil neodymium dome tweeter
- High quality plywood cabinet
- Wall mount bracket included



Wall mount bracket included

PRODUCT NAME	PART NUMBER
<b>COMPACT M 04</b> Black - RAL 9005	<b>13000623</b>
<b>COMPACT M 04 W</b> White - RAL 9003	<b>13000725</b>

#### Acoustical specifications

Frequency Response (-10dB):	90 Hz ÷ 20000 Hz
Max SPL @ 1m:	113 dB
Horizontal coverage angle:	120°
Vertical coverage angle:	120°
Directivity index Q:	6
System Sensitivity:	89 dB

#### Power section

Amplification:	Full Range
Nominal Impedance:	16 ohm
Power Handling:	60 W
Peak Power Handling:	240 W PEAK
Recommended Amplifier:	120 W
Protections:	1800 Hz
Crossover Frequencies:	2200 Hz

#### Transducers

Dome Tweeter:	1.0" neo, 1.0" v.c
Woofer:	4.0", 1.0" v.c

#### Input/Output section

Input connectors:	Euroblock
Output connectors:	Euroblock

#### Physical Specifications

Cabinet/Case Material:	Plywood
Hardware:	2 x M6, 2 x M8
Grille:	Steel with clothing
Dimensions (HxWxD):	5.83"x5.2"x5.71"   148x132x145 mm
Weight:	2.3 kg   5.07 lbs

# M ACCESSORIES



## **H-BR 2X COMPACT M 12** **H-BR 2X COMPACT M 12 W**

Black - RAL 9005 p.n. 13360445

White - RAL 9003 p.n. 13360464

PAIR OF HORIZONTAL BRACKETS

Pair of horizontal brackets for COMPACT M 12 speakers wall mounting



## **V-BR 2X COMPACT M 12** **V-BR 2X COMPACT M 12 W**

Black - RAL 9005 p.n. 13360448

White - RAL 9003 p.n. 13360467

PAIR OF HORIZONTAL BRACKETS

Pair of horizontal brackets for COMPACT M 12 speakers wall mounting



## **H-BR 2X COMPACT M 10** **H-BR 2X COMPACT M 10 W**

Black - RAL 9005 p.n. 13360444

White - RAL 9003 p.n. 13360463

PAIR OF HORIZONTAL BRACKETS

Pair of horizontal brackets for COMPACT M 10 speakers wall mounting



## **V-BR 2X COMPACT M 10** **V-BR 2X COMPACT M 10 W**

Black - RAL 9005 p.n. 13360447

White - RAL 9003 p.n. 13360466

PAIR OF HORIZONTAL BRACKETS

Pair of horizontal brackets for COMPACT M 10 speakers wall mounting



## **SWM-BR NC**

p.n. 13360199

PAIR OF HORIZONTAL BRACKETS

Swivel bracket for speakers wall mounting. It allows both horizontal and vertical installation



## **H-BR 2X COMPACT M 08** **H-BR 2X COMPACT M 08 W**

Black - RAL 9005 p.n. 13360443

White - RAL 9003 p.n. 13360462

PAIR OF HORIZONTAL BRACKETS

Pair of horizontal brackets for COMPACT M 08 speakers wall mounting







## V-BR 2X COMPACT M 08 V-BR 2X COMPACT M 08 W

PAIR OF HORIZONTAL BRACKETS

Pair of horizontal brackets for COMPACT M 08 speakers wall mounting

Black - RAL 9005 p.n. 13360446

White - RAL 9003 p.n. 13360465



## H-BR 2X COMPACT M 06 H-BR 2X COMPACT M 06 W

PAIR OF HORIZONTAL BRACKETS

Pair of horizontal brackets for COMPACT M 06 speakers wall mounting

Black - RAL 9005 p.n. 13360461

White - RAL 9003 p.n. 13360470



## H-BR 2X COMPACT M 05 H-BR 2X COMPACT M 05 W

PAIR OF HORIZONTAL BRACKETS

Pair of horizontal brackets for COMPACT M 05 speakers wall mounting

Black - RAL 9005 p.n. 13360460

White - RAL 9003 p.n. 13360469



## SWM-BR COMPACT M SWM-BR COMPACT M W

SWIVEL WALL MOUNT BRACKET FOR COMPACT M

Swivel bracket for COMPACT M 05, M 06 and M 08 speakers wall mounting. It allows both horizontal and vertical installation, with fixed tilt angles 0°, 15°, 30° and 45°

Black - RAL 9005 p.n. 13360449

Black - RAL 9005 p.n. 13360468



## PNL IN-OUT SPEAKON

p.n. 12399062

SPEAKON IN-OUT CONNECTOR OPTIONAL PANEL FOR COMPACT M

PNL IN-OUT is an optional panel that allows to switch from EUROBLOCK to SpeakON input / output connectors. This can be done easily thanks to the single connector on the back



# WMR PREMIUM

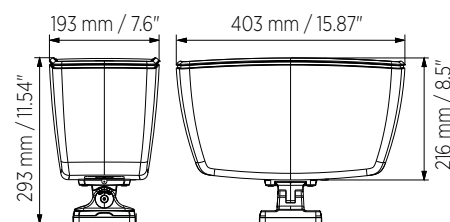
## WMR 60T

### TWO-WAY WALL MOUNT MONITOR SPEAKER

WMR 60T is a multi-purpose two-way wall-mounted speaker, suitable for a wide range of applications. Thanks to its elegant and discreet design and accurate details, WMR 60T pairs any building's aesthetic. The high-quality transducers guarantee a precise music reproduction of the entire frequency band and provide impressive sound pressure levels for such a compact enclosure. The installation is easy thanks to the dedicated connection board inside the (included) wall mount support, which allows the installer to set the desired tilt first, fix the speaker, and finally connect it without the need for any tooling.



- 80W RMS power handling
- 114 dB max SPL
- 70 ÷ 20000 Hz frequency range
- 140° x 100° constant directivity coverage angle
- 6.5" high power woofer
- 1" neodymium dome tweeter
- Self-extinguishing plastic cabinet and steel front grille
- Connection board integrated into the wall support
- 4 pole EUROBLOCK connector (audio input and parallel link output)
- 5 different power levels selectable



PRODUCT NAME		PART NUMBER
<b>WMR 60T</b>	Black - RAL 9005	<b>13100050</b>
<b>WMR 60T W</b>	White - RAL 9003	<b>13100071</b>

#### Acoustical specifications

Frequency Response (-10dB):	70 Hz ÷ 20000 Hz
Max SPL @ 1m:	114 dB
Horizontal coverage angle:	140°
Vertical coverage angle:	100°
System Sensitivity:	89 dB

#### Power section

Amplification:	Full Range
Nominal Impedance:	8 ohm
Power Handling:	80 W RMS
Peak Power Handling:	320 W PEAK
Recommended Amplifier:	160 W
Protections:	Bulb lamp
Crossover Frequencies:	2500

#### Transducers

Dome Tweeter:	1.0" neo, 1.0" v.c
Woofer:	6.5", 1.2" v.c

#### Input/Output section

Input connectors:	Euroblock
Output connectors:	Euroblock
Constant Voltage Transformer:	70/100 V
Power selection 1:	80 W - 125 ohm
Power selection 2:	40 W - 250 ohm
Power selection 3:	20 W - 500 ohm
Power selection 4:	10 W - 1000 ohm
Power selection 5:	5 W - 2000 ohm

#### Physical Specifications

Cabinet/Case Material:	ABS
Hardware:	Wall mount bracket
Grille:	Steel
Dimensions (HxWxD):	15.87"x7.6"x11.54"   403x193x293 mm
Weight:	6 kg   13.23 lbs

# W M R D

## PREMIUM

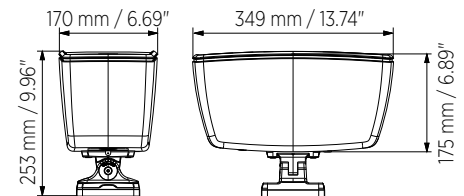
### WMR 50T

#### TWO-WAY WALL MOUNT MONITOR SPEAKER

WMR 50T is a multipurpose two-way wall-mounted speaker, suitable for a wide range of applications. Thanks to its elegant and discreet design and accurate details, WMR 50T pairs any building's aesthetic. The high-quality transducers guarantee a precise music reproduction of the entire frequency band and provide impressive sound pressure levels for such a compact enclosure. The installation is easy thanks to the dedicated connection board inside the (included) wall mount support, which allows the installer to set the desired tilt first, fix the speaker, and finally quickly connect it without the need for any tooling.



- 40W RMS power handling
- 110 dB max SPL
- 80 ÷ 20000 Hz frequency range
- 140° x 100° constant directivity coverage angle
- 5" high power woofer
- 1" neodymium dome tweeter
- Self-extinguishing plastic cabinet and steel front grille
- Connection board integrated into the wall support
- 4 pole EUROBLOCK connector (audio input and parallel link output)
- 5 different power levels selectable



PRODUCT NAME		PART NUMBER
<b>WMR 50T</b>	Black - RAL 9005	<b>13100051</b>
<b>WMR 50T W</b>	White - RAL 9003	<b>13100074</b>

#### Acoustical specifications

Frequency Response (-10dB):	80 Hz ÷ 20000 Hz
Max SPL @ 1m:	110 dB
Horizontal coverage angle:	140°
Vertical coverage angle:	100°
System Sensitivity:	88 dB

#### Power section

Amplification:	Full Range
Nominal Impedance:	8 ohm
Power Handling:	40 W RMS
Peak Power Handling:	160 W PEAK
Recommended Amplifier:	80 W
Protections:	Bulb lamp
Crossover Frequencies:	2500

#### Transducers

Dome Tweeter:	1.0" neo, 1.0" v.c
Woofer:	5.0", 1.0" v.c

#### Input/Output section

Input connectors:	Euroblock
Output connectors:	Euroblock
Constant Voltage Transformer:	70/100 V
Power selection 1:	40 W - 250 ohm
Power selection 2:	20 W - 500 ohm
Power selection 3:	10 W - 1000 ohm
Power selection 4:	5 W - 2000 ohm
Power selection 5:	2.5 W - 4000 ohm

#### Physical Specifications

Cabinet/Case Material:	ABS
Hardware:	Wall mount bracket
Grille:	Steel
Dimensions (HxWxD):	13.74"x6.69"x9.96"   349x170x253 mm
Weight:	4.2 kg   9.26 lbs

# CMR PREMIUM

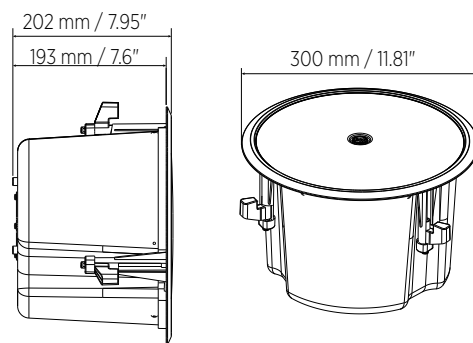


## CMR 60T

### TWO-WAY CEILING MONITOR SPEAKER

CMR 60T is a multipurpose two-way in-ceiling speaker, suitable for a wide range of applications. Thanks to its elegant and discreet design and accurate details, CMR 60T pairs any building's aesthetic. The high-quality transducers, aligned in a coaxial configuration, guarantees a precise music reproduction of the entire frequency band and provides impressive sound pressure levels for such a compact enclosure. Installation is easy with three long travel clamps. The magnetic grille allows immediate access to the power selector on the front shell: the line transformer provides 80W full power on 70V and 100V constant voltage lines, and five different power levels.

- 80W RMS power handling
- 114 dB max SPL
- 70 ÷ 20000 Hz frequency range
- 130° constant directivity conical coverage angle
- 6.5" high power woofer
- 1" neodymium dome tweeter
- Self extinguishing plastic body and metal backcan
- Steel magnetic front grille
- 4 pole EUROBLOCK connector (audio input and parallel link output)
- 5 different power levels selectable



BLACK GRILLE  
KIT 4X  
CMR SPEAKERS  
p.n. 13360492



PRODUCT NAME	PART NUMBER
<b>CMR 60T W</b> White - RAL 9003	<b>13100045</b>

#### Acoustical specifications

Frequency Response (-10dB):	70 Hz ÷ 20000 Hz
Max SPL @ 1m:	114 dB
Coverage angle:	130°
System Sensitivity:	89 dB

#### Power section

Nominal Impedance:	8 ohm
Power Handling:	80 W RMS
Peak Power Handling:	320 W PEAK
Recommended Amplifier:	160 W
Crossover Frequencies:	2500

#### Transducers

Dome Tweeter:	1.0" neo, 1.0" v.c
Woofer:	6.5", 1.2" v.c

#### Input/Output section

Input connectors:	Euroblock
Output connectors:	Euroblock

#### Input/Output section

Constant Voltage Transformer:	70/100 V
Power selection 1:	80 W - 125 ohm
Power selection 2:	40 W - 250 ohm
Power selection 3:	20 W - 500 ohm
Power selection 4:	10 W - 1000 ohm
Power selection 5:	5 W - 2000 ohm

#### Physical Specifications

Cabinet/Case Material:	ABS
Hardware:	Steel backcan
Grille:	Steel
Depth:	202 mm / 7.95"
Recessed Depth:	193 mm / 7.6"
Diameter:	300 mm / 11.81"
Cut out diameter:	260 mm / 10.24"
Weight:	4.5 kg / 9.92 lbs

#### Accessories

GRILLE KIT 4X CMR B	p.n. 13360492
MUD RING 4X CMR	p.n. 13360490
TILE BRIDGE 4X CMR	p.n. 13360489

Specifications pag. 30

# CMR

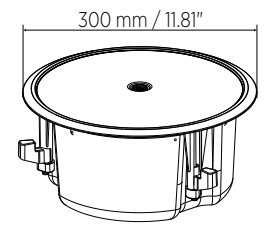
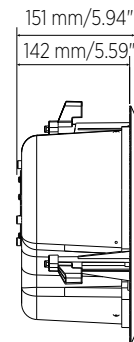
## PREMIUM

### CMR 50T

#### TWO-WAY CEILING MONITOR SPEAKER

CMR 50T is a multipurpose two-way in-ceiling speaker, suitable for a wide range of applications. Thanks to its elegant and discreet design and accurate details, CMR 50T pairs any building's aesthetic. The high-quality transducers, aligned in a coaxial configuration, guarantees a precise music reproduction of the entire frequency band and provides impressive sound pressure levels for such a compact enclosure. Installation is easy with three long travel clamps. The magnetic grille allows immediate access to the power selector on the front shell: the line transformer provides 40W full power on 70V and 100V constant voltage lines, and five different power levels.

- 40W RMS power handling
- 110 dB max SPL
- 80 ÷ 20000 Hz frequency range
- 130° constant directivity conical coverage angle
- 5" high power woofer
- 1" neodymium dome tweeter
- Self-extinguishing plastic cabinet and metal backcan
- Steel magnetic front grille
- 4 pole EUROBLOCK connector (audio input and parallel link output)
- 5 different power levels selectable



BLACK GRILLE  
KIT 4X  
CMR SPEAKERS  
p.n. 13360492



PRODUCT NAME	PART NUMBER
<b>CMR 50T W</b> White - RAL 9003	<b>13100044</b>

#### Acoustical specifications

Frequency Response (-10dB):	80 Hz ÷ 20000 Hz
Max SPL @ 1m:	110 dB
Coverage angle:	130°
System Sensitivity:	88 dB

#### Power section

Nominal Impedance:	8 ohm
Power Handling:	40 W RMS
Peak Power Handling:	160 W PEAK
Recommended Amplifier:	80 W
Crossover Frequencies:	2500

#### Transducers

Dome Tweeter:	1.0" neo, 1.0" v.c
Woofer:	5.0", 1.0" v.c

#### Input/Output section

Input connectors:	Euroblock
Output connectors:	Euroblock

#### Input/Output section

Constant Voltage Transformer:	70/100 V
Power selection 1:	40 W - 250 ohm
Power selection 2:	20 W - 500 ohm
Power selection 3:	10 W - 1000 ohm
Power selection 4:	5 W - 2000 ohm
Power selection 5:	2.5 W - 4000 ohm

#### Physical Specifications

Cabinet/Case Material:	ABS
Hardware:	Steel backcan
Grille:	Steel
Depth:	151 mm / 5.94 inches
Recessed Depth:	142 mm / 5.59 inches
Diameter:	300 mm / 11.81 inches
Cut out diameter:	260 mm / 10.24 inches
Weight:	4 kg / 8.82 lbs

#### Accessories

GRILLE KIT 4X CMR B	p.n. 13360492
MUD RING 4X CMR	p.n. 13360490
TILE BRIDGE 4X CMR	p.n. 13360489

Specifications pag. 30

# CMR

## ACCESSORIES



### **BLACK GRILLE KIT 4X CMR**

p.n. 13360492

BLACK GRILLE KIT FOR CMR SPEAKERS

Set of 4 black grilles for CMR 60T and CMR 50T ceiling speakers



### **MUD RING 4X CMR**

p.n. 13360490

MUD RING FOR CMR SPEAKERS

Mud ring accessory for CMR 60T and CMR 50T ceiling speakers



### **TILE BRIDGE 4X CMR**

p.n. 13360489

TILE BRIDGE FOR CMR SPEAKERS

Tile bridge accessory for CMR 60T and CMR 50T ceiling speakers



# 8 MONITOR



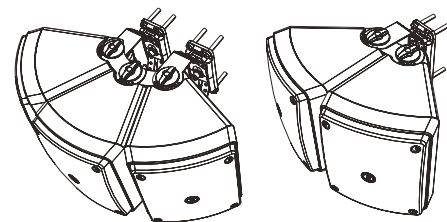
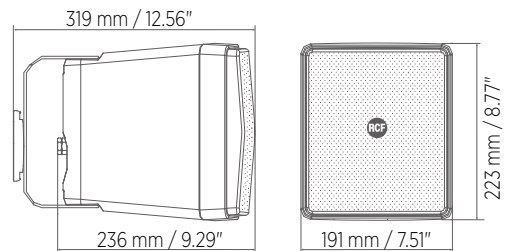
## MQ 80P

### TWO-WAY INDOOR OUTDOOR SPEAKER

High intelligibility, high efficiency and compact design make the RCF MQ 80P 2-way horn-loaded sound projector speaker system the ideal solution to get clear voice and music reproduction in mid-size environment. Suitable for PA systems and background/foreground music systems. Thanks to its 90° X 60° constant directivity and to simple accessories it can be combined in clusters of 2 or more pieces to get wide and smooth coverage and to reduce the installation points. It is suitable for both indoor and outdoor installations (IP 55). The woofer is a high-excursion, PP coated paper cone - rubber surround design mounted in a tuned enclosure (port can be sealed for full outdoor installation). The tweeter is a horn-loaded compression driver with phase plug, the only way to get real and crispy intelligible voice reproduction even in wide and noisy environments. Installation of the MQ80P is quick thanks to the unique bracket with several fixing points and aiming facilities.

- 5" woofer with 1" compression driver
- Power selectable (100 V): 30 W - 10 W - 10 W - 5 W
- 94 dB sensitivity
- Colour white RAL 9016 and black RAL 7021
- Plastic body, steel grille
- Protection grade IP 55

Thanks to its 90° X 60° constant directivity and to simple accessories it can be combined in clusters of 2 or more pieces to get wide and smooth coverage and to reduce the installation points.



PRODUCT NAME		PART NUMBER
<b>MQ 80P B</b>	Black - RAL 7021	<b>13000094</b>
<b>MQ 80P W</b>	White - RAL 9016	<b>13000096</b>

#### Acoustical specifications

Frequency Response (-10dB):	100 Hz ÷ 20000 Hz
Max SPL @ 1m:	114 dB
Horizontal coverage angle:	90°
Vertical coverage angle:	60°
System Sensitivity:	94 dB

#### Power section

Nominal Impedance:	8 ohm
Power Handling:	60 W
Peak Power Handling:	240 W PEAK
Recommended Amplifier:	120 W
Crossover Frequencies:	3000 Hz

#### Transducers

Compression Driver:	1 x 1.0"
---------------------	----------

#### Transducers

Woofer:	5.0"
---------	------

#### Input/Output section

Input connectors:	Cable
Output connectors:	Cable
Constant Voltage Transformer:	100 V
Power selection 1:	30 W - 333 ohm
Power selection 2:	20 W - 500 ohm
Power selection 3:	10 W - 1000 ohm
Power selection 4:	5 W - 2000 ohm

#### Physical Specifications

Cabinet/Case Material:	Plastic
Hardware:	Wall mount bracket
Grille:	Steel
IP protection grade:	IP 55
Dimensions (HxWxD):	8.78"x7.52"x9.29"   223x191x236 mm
Weight:	3.65 kg   8.05 lbs

# 50 MONITOR

## MR 50 | MR 50T

### TWO-WAY PASSIVE SPEAKER

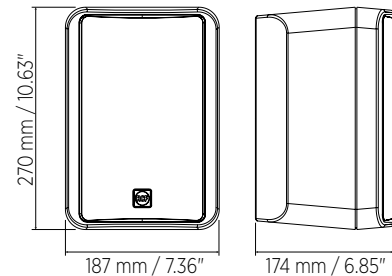
MR 50 and MR 50T are bass-reflex two-way speakers designed to deliver uncompromised audio performance and high reliability in fixed installations. Blend in with any environment and deliver deep bass, smooth midrange, and finely-detailed high-frequency response. Quality components and careful acoustic design make MR 50 and MR 50T the perfect speakers for listening in the most demanding applications. Suitable for indoor and outdoor installation. MR 50T is equipped with 70/100 V line transformers.

- 110 dB max SPL
- 60 ÷ 20000 Hz frequency range
- 110° x 100° coverage angles
- 1 x 5" woofer (1" v.c.)
- 1 x 1" dome tweeter (0.8" v.c.) neodymium magnet
- IP 55 protection grade
- Swivel wall mount accessory included
- 4 pole EUROBLOCK connector

MA 5  
Bracket for mounting one  
speaker on the wall



MR 50T is equipped with 70/100 V line transformers.



PRODUCT NAME		PART NUMBER
<b>MR 50</b>	Black RAL 9005	<b>13100038</b>
<b>MR 50 W</b>	White RAL 9003	<b>13100040</b>
<b>MR 50T</b>	Black RAL 9005	<b>13100039</b>
<b>MR 50T W</b>	White RAL 9003	<b>13100041</b>

(p.n. refers to a couple of speakers)

#### Acoustical specifications

Frequency Response (-10dB):	60 Hz ÷ 20000 Hz
Max SPL @ 1m:	110 dB
Horizontal coverage angle:	110°
Vertical coverage angle:	100°
Directivity index Q:	7
System Sensitivity:	87 dB

#### Power section

Nominal Impedance:	8 ohm
Power Handling:	60 W
Peak Power Handling:	240 W PEAK
Recommended Amplifier:	120 W
Protections:	Bulb lamp
Crossover Frequencies:	3000 Hz

#### Transducers

Dome Tweeter:	1.0" neo, 0.8" v.c
Woofer:	5.0", 1.0" v.c

#### Input/Output section

Input connectors:	Euroblock
Output connectors:	Euroblock

#### Input/Output section (MR 50T only)

Constant Voltage Transformer:	70/100 V
Power selection:	40 W - 20 - 10 - 5 W

#### Physical specifications

Cabinet/Case Material:	Plastic
Hardware:	Wall mount bracket
Grille:	Steel
IP protection grade:	IP 55
Dimensions (HxWxD):	10.63"x7.36"x6.57"   270x187x174 mm
Weight:	8.82 lb   4 kg

#### Accessories

MA 5	Black	p.n. 13360369
MA 5 W	White	p.n. 13360370



# 40 MONITOR

## MR 40 | MR 40T TWO-WAY PASSIVE SPEAKER

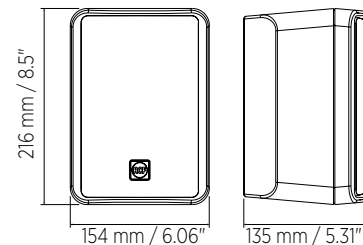
MR 40 and MR 40T are bass-reflex two-way speakers designed to deliver uncompromised audio performance and high reliability in fixed installations. Blend in with any environment and deliver deep bass, smooth midrange, and finely-detailed high-frequency response. Quality components and careful acoustic design make the MR 40 and MR 40T the perfect speakers for listening in demanding applications. Suitable for indoor and outdoor installation. MR 40T is equipped with 70/100 V line transformers.

- 108 dB max SPL
- 70 ÷ 20000 Hz frequency range
- 110° x 100° coverage angles
- 1 x 4" woofer (1" v.c.)
- 1 x 1" dome tweeter (0.8" v.c.) neodymium magnet
- IP 55 protection grade
- Swivel wall mount accessory included
- 4 pole EUROBLOCK connector

MA 4  
Bracket for mounting one speaker on the wall



MR 40T is equipped with 70/100 V line transformers.



PRODUCT NAME		PART NUMBER
<b>MR 40</b>	Black RAL 9005	<b>13100034</b>
<b>MR 40 W</b>	White RAL 9003	<b>13100036</b>
<b>MR 40T</b>	Black RAL 9005	<b>13100035</b>
<b>MR 40T W</b>	White RAL 9003	<b>13100037</b>

(p.n. refers to a couple of speakers)

### Acoustical specifications

Frequency Response (-10dB):	70 Hz ÷ 20000 Hz
Max SPL @ 1m:	108 dB
Horizontal coverage angle:	110°
Vertical coverage angle:	100°
Directivity index Q:	7
System Sensitivity:	86 dB

### Power section

Nominal Impedance:	8 ohm
Power Handling:	40 W
Peak Power Handling:	160 W PEAK
Recommended Amplifier:	80 W
Protections:	Bulb lamp
Crossover Frequencies:	3000 Hz

### Transducers

Dome Tweeter:	1.0" neo, 0.8" v.c
Woofer:	4.0", 1.0" v.c

### Input/Output section

Input connectors:	Euroblock
Output connectors:	Euroblock

### Input/Output section (MR 40T only)

Constant Voltage Transformer:	70/100 V
Power selection:	20 - 10 - 5 - 2.5 W

### Physical specifications

Cabinet/Case Material:	Plastic
Hardware:	Wall mount bracket
Grille:	Steel
IP protection grade:	IP 55
Dimensions (HxWxD):	8.5"x6.06"x5.31"   216x154x135 mm
Weight:	5.07 lb   2.3 kg

### Accessories

MA 4	Black	p.n. 13360367
MA 4 W	White	p.n. 13360368

# 61 MONITOR

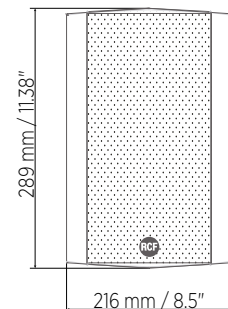
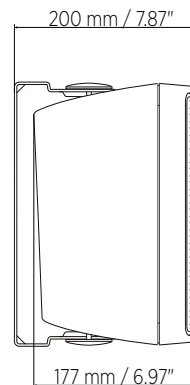
## DM 61

### TWO-WAY COMPACT SPEAKER

DM 61 is a compact two way speaker designed for constant voltage systems. The speaker provide natural, smooth sound reproduction ideal for use in business music systems and indoor/outdoor background music applications. Connections to the loudspeaker line are made by using the two wire cable coming out from the loudspeaker rear side. The enclosure includes a protective perforated grille and an accessory for the wall mounting.



- 6" woofer with 1" dome tweeter
- Power selectable (100 V): 25 - 12.5 - 7.5 - 5 - 2.5 W
- 89 dB sensitivity
- Colour white RAL 9002
- Plastic body UL 94 V0, aluminium grille
- Protection grade IP 55



PRODUCT NAME	PART NUMBER
<b>DM 61</b>	<b>13000050</b>

#### Acoustical specifications

Frequency Response (-10dB):	70 Hz ÷ 20000 Hz
Max SPL @ 1m:	106 dB
Horizontal coverage angle:	120°
Vertical coverage angle:	140°
System Sensitivity:	89 dB

#### Power section

Nominal Impedance:	8 ohm
Power Handling:	25 W
Peak Power Handling:	100 W PEAK
Recommended Amplifier:	50 W
Crossover Frequencies:	6000 Hz

#### Transducers

Dome Tweeter:	1.0"
Woofer:	6.0"

#### Input/Output section

Input connectors:	Cable
Output connectors:	Cable
Constant Voltage Transformer:	100 V
Power selection:	25 - 12.5 - 7.5 - 5 - 2.5 W

#### Physical specifications

Cabinet/Case Material:	Plastic
Hardware:	Aluminium U bracket
Grille:	Aluminium
IP protection grade:	IP 55
Dimensions (HxWxD):	11.38"x8.5"x6.97"   289x216x177 mm
Weight:	3.98 kg / 8.77 lbs

# 41 MONITOR

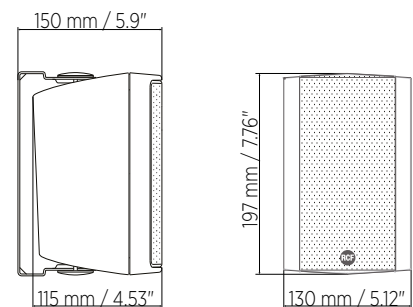
## DM 41

### TWO-WAY COMPACT SPEAKER

DM 41 is a compact two way speaker designed for constant voltage systems. The speaker provide natural, smooth sound reproduction ideal for use in business music systems and indoor/outdoor background music applications. Connections to the loudspeaker line are made by using the two wire cable coming out from the loudspeaker rear side. The enclosure includes a protective perforated grille and an accessory for the wall mounting.



- 3.5" woofer with 1" dome tweeter
- Power selectable (100 V): 15 - 7.5 - 5 - 2.5 - 1.25 W
- 87 dB sensitivity
- Colour white RAL 9002 and black RAL 9005
- Plastic body UL 94 V0, steel aluminium
- Protection grade IP 55



PRODUCT NAME		PART NUMBER
<b>DM 41 B</b>	Black RAL 9005	<b>13000387</b>
<b>DM 41</b>	White RAL 9002	<b>13000049</b>

#### Acoustical specifications

Frequency Response (-10dB):	100 Hz ÷ 20000 Hz
Max SPL @ 1m:	102 dB
Horizontal coverage angle:	180°
Vertical coverage angle:	170°
System Sensitivity:	87 dB

#### Power section

Nominal Impedance:	8 ohm
Power Handling:	15 W
Peak Power Handling:	60 W PEAK
Recommended Amplifier:	30 W
Crossover Frequencies:	2.5 Hz

#### Transducers

Dome Tweeter:	1.0"
Woofer:	3.5"

#### Input/Output section

Input connectors:	Cable
Output connectors:	Cable
Constant Voltage Transformer:	100 V
Power selection:	15 - 7.5 - 5 - 2.5 - 1.25 W

#### Physical specifications

Cabinet/Case Material:	Plastic
Hardware:	Aluminium U bracket
Grille:	Aluminium
IP protection grade:	IP 55
Dimensions (HxWxD):	7.76"x5.12"x4.53"   197x130x115 mm
Weight:	1.7 kg / 3.75 lbs

# WMF

# MONITOR

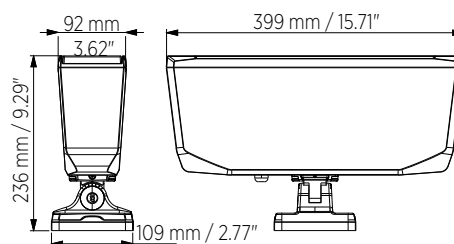
## WMF 33EN

### TWO-WAY WALL MOUNT SPEAKER

WMF 33EN is a two-way wall mount speaker designed for both horizontal and vertical installation. It is especially suitable for broadcasting background music into commercial spaces, but also includes alarm messages with highly intelligible voice reproduction and EN 54-24 certification. It features a UL rated plastic cabinet with a steel magnetic grille and is easy to install with its smart support system. The terminal connection blocks, for input and output flameproof cables, are made of ceramic material. A thermal fuse protects the integrity of the line in case of heat affecting the speaker.



- 2 x 3" full-range transducers with 1" dome tweeter
- Power selectable (70 V / 100 V): 40 - 20 - 10 - 5 - 2.5 W
- 88 dB sensitivity
- Colour black RAL 9005
- Voice Alarm EN 54-24 Certified
- In/out ceramic terminal block
- Thermal fuse protection
- Connections integrated in the wall support
- UL rated plastic enclosure



PRODUCT NAME	PART NUMBER
<b>WMF 33EN</b> Black RAL 9005	<b>13100046</b>

#### CERTIFICATION

<b>EN 54-24</b>	<b>CPR: 0068-CPR-057/2019</b>	<b>CE</b>
-----------------	-------------------------------	-----------

#### Acoustical specifications

Frequency Response (-10dB):	80 Hz ÷ 22000 Hz
Max SPL @ 1m:	105 dB
Horizontal coverage angle:	100°
Vertical coverage angle:	160°
System Sensitivity:	88 dB

#### Power section

Nominal Impedance:	8 ohm
Power Handling:	40 W
Peak Power Handling:	160 W PEAK
Recommended Amplifier:	80 W
Protections:	Thermal fuse - PTC
Crossover Frequencies:	2500 Hz

#### Transducers

Dome Tweeter:	1.0" neo, 1.0" v.c
Woofer:	2 x 3.0", 1.0" v.c

#### Input/Output section

Input connectors:	Ceramic screw terminals
Output connectors:	Ceramic screw terminals
Constant Voltage Transformer:	100 V
Power selection:	40 - 20 - 10 - 5 - 2.5 W

#### Physical specifications

Cabinet/Case Material:	ABS
Hardware:	Wall mount bracket
Grille:	Steel
Dimensions (HxWxD):	15.71"x3.62"x9.29"   399x92x236 mm
Weight:	5 kg / 11.02 lbs

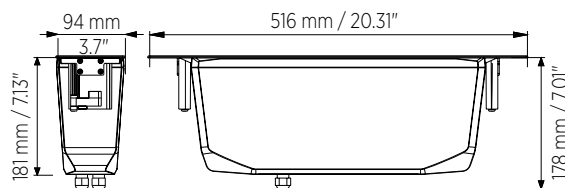
# MF CEILING

## MF 33EN

### TWO-WAY CEILING SPEAKER

MF 33EN is a two-way ceiling speaker designed for recess installation into ceilings or panels. It is especially suitable for broadcasting background music into commercial spaces, but also alarm messages thanks to the highly intelligible voice reproduction and the EN 54-24 certification. It features a plastic cabinet with steel magnetic grille and is extremely easy to install. The terminal connection blocks, for input and output flameproof cables, are made of ceramic material. A thermal fuse protects the integrity of the line in case of heat affecting the speaker.

- 2 x 3" fullrange transducers with 1" dome tweeter
- Power selectable (70 V / 100 V): 40 - 20 - 10 - 5 - 2.5 W
- 88 dB sensitivity
- Colour black RAL 9005
- Voice Alarm EN 54-24 Certified
- In/out ceramic terminal block
- Thermal fuse protection
- UL rated plastic enclosure



PRODUCT NAME	PART NUMBER
<b>MF 33EN</b> Black RAL 9005	<b>13100043</b>

#### CERTIFICATION

<b>EN 54-24</b>	<b>CPR: 0068-CPR-057/2019</b>	<b>CE</b>
-----------------	-------------------------------	-----------

#### Acoustical specifications

Frequency Response (-10dB):	80 Hz ÷ 22000 Hz
Max SPL @ 1m:	105 dB
Horizontal coverage angle:	100°
Vertical coverage angle:	160°
System Sensitivity:	88 dB

#### Power section

Nominal Impedance:	8 ohm
Power Handling:	40 W
Peak Power Handling:	160 W PEAK
Recommended Amplifier:	80 W
Protections:	Thermal fuse - PTC
Crossover Frequencies:	2500 Hz

#### Transducers

Dome Tweeter:	1.0" neo, 1.0" v.c
Woofer:	2 x 3.0", 1.0" v.c

#### Input/Output section

Input connectors:	Ceramic screw terminals
Output connectors:	Ceramic screw terminals
Constant Voltage Transformer:	100 V
Power selection:	40 - 20 - 10 - 5 - 2.5 W

#### Physical specifications

Cabinet/Case Material:	ABS
Hardware:	Wall mount bracket
Grille:	Steel
Dimensions (HxWxD):	15.71"x3.62"x9.29"   399x92x236 mm
Weight:	3.4 kg / 7.5 lbs

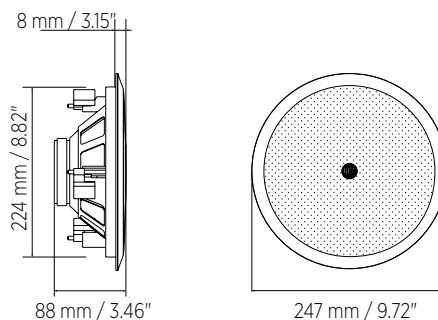
# CEILING

## PL 8X

### COAXIAL CEILING SPEAKER

PL 8X is a ceiling speakers featuring elegant and innovative design that can be flush-mounted in false ceilings or panels. Incorporating a 8" coaxial woofer with a 1" tweeter placed on a bridge support. PL 8X is equipped with a line transformer that enables direct connection to constant voltage systems at 70 V or 100 V. The multiple sockets on the transformer make possible to select the output power from among several values. Installation is quick and easy thanks to a special three-hook system that avoids the need for using screws and pallet or other attachment elements.

- 8" woofer with 1" dome tweeter
- Power selectable (70 V / 100 V): 20 - 10 - 5 - 2.5 W
- 93 dB sensitivity
- Colour white RAL 9003 and black RAL 9005
- Plastic frame UL 94 V0, aluminium grille



PRODUCT NAME		PART NUMBER
<b>PL 8X B</b>	Black RAL 9005	<b>13100088</b>
<b>PL 8X</b>	White RAL 9003	<b>13133043</b>

#### Acoustical specifications

Frequency Response (-10dB):	60 Hz ÷ 20000 Hz
Max SPL @ 1m:	109 dB
Coverage angle:	80°
System Sensitivity:	93 dB

#### Power section

Power Handling:	20 W RMS
Peak Power Handling:	80 W PEAK
Recommended Amplifier:	40 W

#### Transducers

Dome Tweeter:	1.0"
Woofer:	8"

#### Input/Output section

Input connectors:	Screw Terminals
Output connectors:	Screw Terminals
Constant Voltage Transformer:	70/100 V
Power selection:	20 - 10 - 5 - 2.5 W

#### Physical specifications

Cabinet/Case Material:	Plastic
Hardware:	Plastic Material
Grille:	Aluminium
IP protection grade:	IP 44
Depth:	88 mm / 3.46"
Recessed Depth:	80 mm / 3.15"
Diameter:	247 mm / 9.72"
Cut out diameter:	224 mm / 8.82"
Weight:	1.23 kg / 2.71 lbs

# 6X CEILING

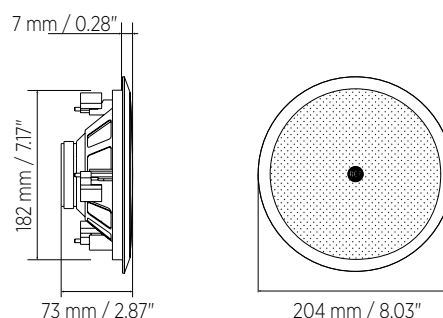


## PL 6X

### COAXIAL CEILING SPEAKER

PL 6X is a ceiling speakers featuring elegant and innovative design that can be flushmounted in false ceilings or panels. Incorporating a 6" coaxial woofer with a 1" tweeter placed on a bridge support. PL 6X is equipped with a line transformer that enables direct connection to constant voltage systems at 70 V or 100 V. The multiple sockets on the transformer make possible to select the output power from among several values. Installation is quick and easy thanks to a special three-hook system that avoids the need for using screws and pallet or other attachment elements.

- 6" woofer with 1" dome tweeter
- Power selectable (70 V / 100 V): 12 - 6 - 3 - 1.5 W
- 92 dB sensitivity
- Colour white RAL 9003 and black RAL 9005
- Plastic frame UL 94 V0, aluminium grille



PRODUCT NAME		PART NUMBER
<b>PL 6X B</b>	Black RAL 9005	<b>13100087</b>
<b>PL 6X</b>	White RAL 9003	<b>13133042</b>

#### Acoustical specifications

Frequency Response (-10dB):	70 Hz ÷ 20000 Hz
Max SPL @ 1m:	106 dB
Coverage angle:	100°
System Sensitivity:	92 dB

#### Power section

Power Handling:	12 W RMS
Peak Power Handling:	48 W PEAK
Recommended Amplifier:	24 W

#### Transducers

Dome Tweeter:	1.0"
Woofer:	6.0"

#### Input/Output section

Input connectors:	Screw Terminals
Output connectors:	Screw Terminals
Constant Voltage Transformer:	70/100 V
Power selection:	12 - 6 - 3 - 1.5 W

#### Physical specifications

Cabinet/Case Material:	Plastic
Hardware:	Plastic Material
Grille:	Aluminium
IP protection grade:	IP 44
Depth:	73 mm / 2.87"
Recessed Depth:	66 mm / 2.6"
Diameter:	204 mm / 8.03"
Cut out diameter:	182 mm / 7.17"
Weight:	0.78 kg / 1.72 lbs

# 50 CEILING

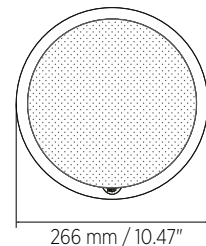
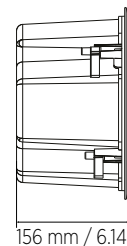
## MQ 50C

### TWO-WAY CEILING SPEAKER

Compact design, light weight and limited depth makes the MQ 50C a 2-way ceiling speakers ideal for use in any background and foreground music system where a good sound is required. The woofer is a high-excursion, PP coated paper cone with rubber surround design mounted in a tuned enclosure. The fabric dome tweeter is loaded on a constant Q wave guide to provide natural and smooth sound reproduction on a wide dispersion angle. Installation of MQ 50C is fast and efficient thanks to the built-in rotating hooks. No additional brackets or rings or other supports are required: thanks to its lightweight construction the speaker can be mounted as a conventional ceiling speakers. Connections are made on four poles Euroblock connector. Power value can be selected with a rotary switch, accessible behind the grill.



- 5" woofer with 1" dome tweeter
- Power selectable (100 V): 30 – 20 – 10 – 5 W
- 91 dB sensitivity
- Colour white RAL 9016 and black RAL 9005
- Self-extinguishing plastic frame and back can, steel grille
- In/out euroblock connectors



PRODUCT NAME		PART NUMBER
<b>MQ 50C B</b>	Black RAL 9005	<b>13100089</b>
<b>MQ 50C W</b>	White RAL 9016	<b>13000081</b>

#### Acoustical specifications

Frequency Response (-10dB):	70 Hz ÷ 20000 Hz
Max SPL @ 1m:	112 dB
Coverage angle:	120°
System Sensitivity:	91 dB

#### Power section

Nominal Impedance:	16 ohm
Power Handling:	60 W RMS
Peak Power Handling:	240 W PEAK
Recommended Amplifier:	120 W
Crossover Frequencies:	3000 Hz

#### Transducers

Dome Tweeter:	1.0" neo
Woofer:	5.0" neo

#### Input/Output section

Input connectors:	Euroblock
Output connectors:	Euroblock
Constant Voltage Transformer:	100 V
Power selection:	30 – 20 – 10 – 5 W

#### Physical specifications

Cabinet/Case Material:	Plastic
Grille:	Steel
Depth:	156 mm / 6.14"
Diameter:	266 mm / 10.47"
Cut out diameter:	245 mm / 9.65"
Weight:	2.1 kg / 4.63 lbs



# 60 CEILING

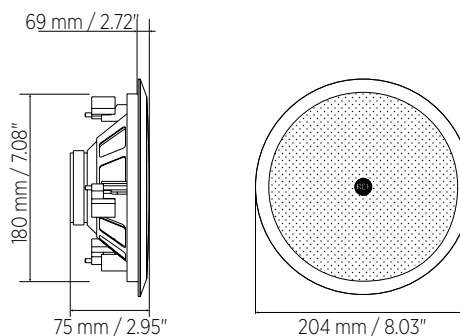
## PL 60

### HIGH EFFICIENCY CEILING SPEAKER

The PL60 is a ceiling speaker with an elegant design, intended for recess installation in false ceilings or panels. It is ideal for the reproduction of announcements and background music and features a multiplesocket line transformer for use with constant voltage systems.



- 6" fullrange transducer
- Power selectable (70 V / 100 V): 6 - 3 - 1.5 W
- 91 dB sensitivity
- Colour white RAL 9003
- Plastic frame, steel grille



PRODUCT NAME	PART NUMBER
<b>PL 60</b> White RAL 9003	<b>13110214</b>

#### Acoustical specifications

Frequency Response (-10dB):	90 Hz ÷ 20000 Hz
Max SPL @ 1m:	107 dB
Coverage angle:	90°
System Sensitivity:	91 dB

#### Power section

Nominal Impedance:	8 ohm
Power Handling:	6 W RMS
Peak Power Handling:	24 W PEAK
Recommended Amplifier:	12 W

#### Transducers

Fullrange:	6.0"
------------	------

#### Input/Output section

Input connectors:	Screw Terminals
Output connectors:	Screw Terminals
Constant Voltage Transformer:	70/100 V
Power selection:	6 - 3 - 1.5 W

#### Physical specifications

Cabinet/Case Material:	Plastic
Hardware:	Plastic Material
Grille:	Steel
Depth:	75 mm / 2.95"
Recessed Depth:	69 mm / 2.72"
Diameter:	204 mm / 8.03"
Weight:	0.34 kg / 0.75 lbs

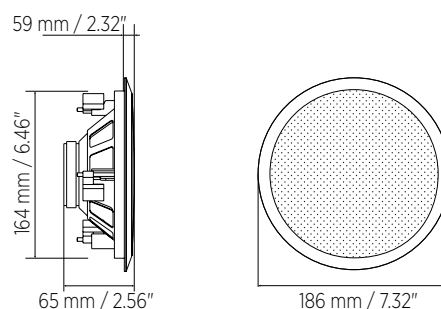
# 50 CEILING

## PL 50 CEILING SPEAKER

PL 50 is a flush-mount ceiling 6" (dual-cone) loudspeaker. It has an internal transformer that allows direct connection to 100 V constant voltage lines. The transformer has 2 inputs for power tapping: 6 - 3 W. The false-ceiling installation is made through its 2 spring clamps without using tools and other additional attachment components.



- 6" fullrange transducer
- Power selectable (100 V): 6 W - 3 W
- 90 dB sensitivity
- Colour white RAL 9003
- Plastic frame and grille



PRODUCT NAME	PART NUMBER
<b>PL 60</b> White RAL 9003	<b>13133060</b>

### Acoustical specifications

Frequency Response (-10dB):	100 Hz ÷ 20000 Hz
Max SPL @ 1m:	98 dB
Coverage angle:	150°
System Sensitivity:	90 dB

### Power section

Power Handling:	6 W RMS
Peak Power Handling:	24 W PEAK
Recommended Amplifier:	12 W

### Transducers

Fullrange:	6.0"
------------	------

### Input/Output section

Input connectors:	Screw Terminals
Output connectors:	Screw Terminals
Constant Voltage Transformer:	100 V
Power selection:	6 - 3 W

### Physical specifications

Cabinet/Case Material:	Plastic
Hardware:	Metal
Grille:	Plastic
Depth:	65 mm / 2.56"
Recessed Depth:	59 mm / 2.32"
Diameter:	186 mm / 7.32"
Weight:	0.5 kg / 1.1 lbs

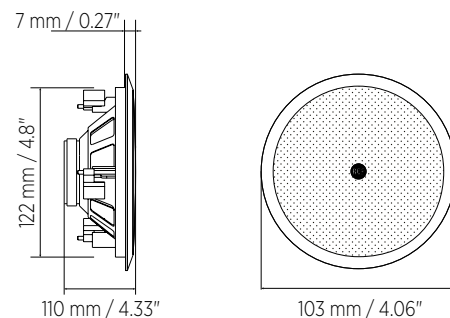
# 40 CEILING

## PL 40 CEILING SPEAKER

PL 40 is a ceiling speakers featuring elegant and innovative design that can be flushmounted in false ceilings or panels. Incorporating a 3.5" fullrange transducer, PL 40 is equipped with a line transformer that enables direct connection to constant voltage systems at 70 V or 100 V. The multiple sockets on the transformer make possible to select the output power from among several values. Installation is quick and easy thanks to a special three-hook system that avoids the need for using screws and pallet or other attachment elements.



- 3.5" fullrange transducer
- Power selectable (100 V): 8 W - 6 W - 4 W - 2 W
- 88 dB sensitivity
- Colour white RAL 9003
- Plastic frame UL 94 V0, aluminium grille



PRODUCT NAME	PART NUMBER
<b>PL 40</b> White RAL 9003	<b>13133045</b>

### Acoustical specifications

Frequency Response (-10dB):	90 Hz ÷ 20000 Hz
Max SPL @ 1m:	100 dB
Coverage angle:	120°
System Sensitivity:	88 dB

### Power section

Power Handling:	8 W RMS
Peak Power Handling:	32 W PEAK
Recommended Amplifier:	16 W

### Transducers

Fullrange:	3.5"
------------	------

### Input/Output section

Input connectors:	Screw Terminals
Output connectors:	Screw Terminals
Constant Voltage Transformer:	100 V
Power selection:	8 - 6 - 4 - 2 W

### Physical specifications

Cabinet/Case Material:	Plastic
Hardware:	Plastic Material
Grille:	Aluminium
IP protection grade:	IP 44
Depth:	110 mm / 4.33"
Recessed Depth:	103 mm / 4.06"
Diameter:	130 mm / 5.12"
Cut out diameter:	122 mm / 4.8"
Weight:	0.38 kg / 0.84 lbs

# VSA

## COLUMNS

### VSA II SERIES

DIGITALLY STEERABLE COLUMN SPEAKER



The VSA II system allows the audio signal to be addressed exactly to the listening area, avoiding the radiation of the acoustic energy to ceilings and empty floors; this eliminates any bad reflections that would affect speech intelligibility, mainly in critical environments with high reverberation. VSA offers a precise directivity and control to give high intelligibility performance with wide frequency response, high-dynamics and coherence at distance. Thanks to the reliable and powerful amplifiers, the accurate speaker design, and the high efficiency of the digital technology, VSA II is able to achieve an extended and stable coverage, preserving at the same time a smooth uniform horizontal coverage.



The state of the art transducer developed for the VSA II offers the highest possible intelligibility and wider frequency response, according to RCF philosophy. A 1,4 tesla flux density is the result of the massive neodymium magnet to get an incredible mid frequency dynamic range. The neodymium magnet is very lightweight and helps to compact the size of the overall system.

- 50 W Class-D power amplifier for each transducer (VSA 2050 II: 20 | VSA 1250 II: 12 | VSA 850 II: 8)
- 48 kHz 32 bit processing
- Vertical Dispersion controlled up to 10° till 300 Hz
- Power Supply 115/230Vac; 24Vdc
- Extruded aluminium body
- Ceramic block terminals and thermal fuse on OdB balanced priority input
- Standard installation accessories included
- Easy and fast configuration
- Indicators and control for EN 60849 monitoring facility
- Custom colors available



## **RNet** NETWORKED MANAGEMENT

The RCF RNet is the perfect tool to help you to configure your VSA II system setup in any venues. The software helps to monitor and control all individual speakers with its own DSP setting and to secure the best performance of the system configuration.

RNet is a secure and robust management for small, medium, and arena-sized sound systems as well as complex and extended installations. Based on a proprietary network protocol RNet provides straightforward monitoring and intuitive control of the RCF audio system down to every connected device/object.



## **VSA SMART RC**

The VSA-RC is an easy way to control the VSA speakers through the VSA Remote App available on iOS or Android. The following data are configurable on each VSA through the VSA-RC remote control:

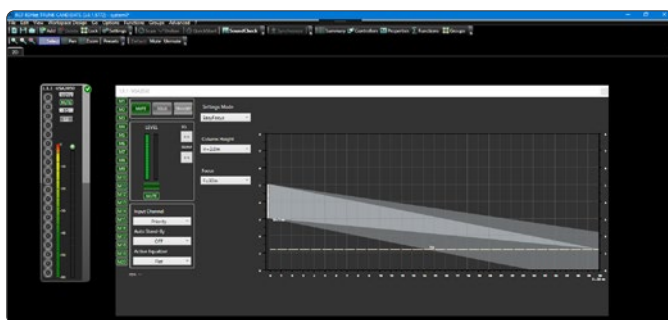
- Select the proper beaming and tilting configuration
- Delay in metres
- Voice/music optimization filters
- Polarity
- Mute
- Volume
- Stand-By

## **ARCHITECTURAL CAMOUFLAGE**

The unobtrusive and robust aluminum cabinet blends seamlessly in any architecturally sensitive environments. The standard colors are black RAL 9005 and white RAL 9003, and custom colors are available on request. The modular design approach offers a uniform heat dissipation for maximum consistency over time. The installation is particularly simple thanks to the drilling template on the wooden package and the lightweight of the speaker. Optional swivel brackets are available on request if the column has to be oriented horizontally.

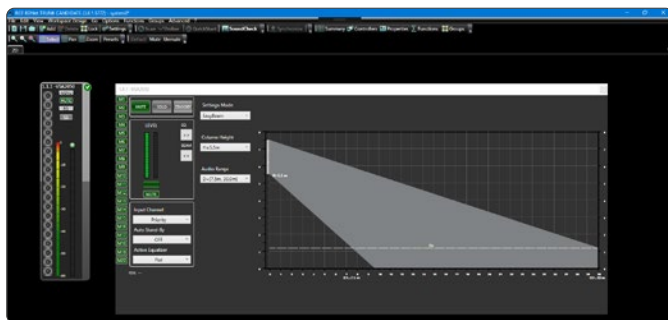
## **BEAM CONTROL**

Three different operational modes are available for a precise and fast set up of the column in any environment.



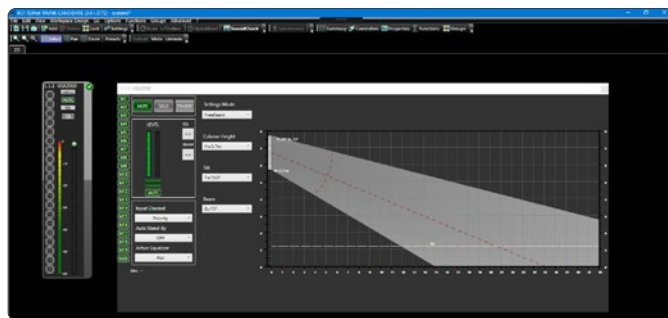
### **“EASY FOCUS” CONFIGURATION**

Simple, easy and suitable for all systems, advisable for users and installers that are not so experienced. Only two parameters are necessary: the loudspeaker installation height and the maximum distance to be covered.



### **“EASY BEAM” CONFIGURATION**

For experts/installers, it allows the setting of both loudspeakers tilt and beam parameters.



### **“FREE BEAM” CONFIGURATION**

Allows specifying the listening area by selecting a preset

# 2050 COLUMN

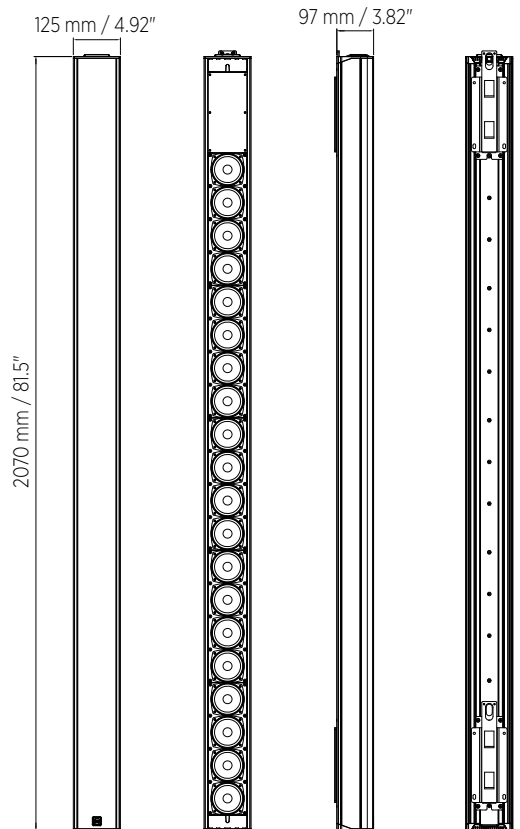


## VSA 2050 II

### DIGITALLY STEERABLE COLUMN SPEAKER

The VSA 2050 II is a multi-amplified vertical steerable array that represents one of the latest RCF applications in terms of digital audio technology. Thanks to powerful DSPs it processes the audio signal sent to each speaker for controlling its vertical acoustic dispersion to address the audio signal exactly to the listening area, avoiding to send the acoustic energy to ceilings and empty floors, thus not introducing bad reflections that would affect speech intelligibility, mainly in critical environments with high reverberation time. Full RDNet compatibility.

- 20 x Class D, 50 W amplifiers
- 96 dB Max SPL (@ 30 m)
- 20 x 3.5" full range neo speakers
- 48 kHz 32 bit processing
- Horizontal dispersion 130°
- Vertical Coverage Beam from 10° to 30°
- Vertical Steering from 0° to -40°
- Standard installation accessories included
- Extruded aluminium body



PRODUCT NAME		PART NUMBER
<b>VSA 2050 II</b>	[220-240V] White	<b>13100022</b>
<b>VSA 2050 II B</b>	[220-240V] Black	<b>13100053</b>
<b>VSA 2050 II</b>	[220-240V] Custom Color	<b>13100024</b>
<b>VSA 2050 II</b>	[115V] White	<b>13100023</b>
<b>VSA 2050 II B</b>	[115V] Black	<b>13100054</b>
<b>VSA 2050 II</b>	[115V] Custom Color	<b>13100031</b>

#### Acoustical specifications

Frequency Response:	100 Hz ÷ 18000 Hz
Max SPL @ 30m:	96 dB
Horizontal coverage angle:	130°
Vertical coverage angle:	30°

#### Transducers

Fullrange:	20 x 3.5" neo, 1.0" v.c
------------	-------------------------

#### Input/Output section

Input signal:	bal/unbal
Input connectors:	Ceramic screw terminals
Input sensitivity:	0 dBu

#### Processor section

Protections:	Thermal, short circuit
Limiter:	Soft Limiter
RDNet:	Yes

#### Power section

Total Power:	1300 W Peak, 650 W RMS
Cooling:	Convection
Connections:	VDE

#### Physical specifications

Cabinet/Case Material:	Aluminium
Hardware:	2 x wall mounting flange
Dimensions (HxWxD):	81.5" x 4.92" x 3.82"   2070 x 125 x 97 mm
Weight:	44.09 lbs - 20 kg

#### Accessories

SWM-BR VSA II	White	p.n. 13360410
SWM-BR VSA II	Black	p.n. 13360442
TA1000 VSA		p.n. 13360318
VSA SMART RC		p.n. 13360330

Specifications pag. 49

# 1250

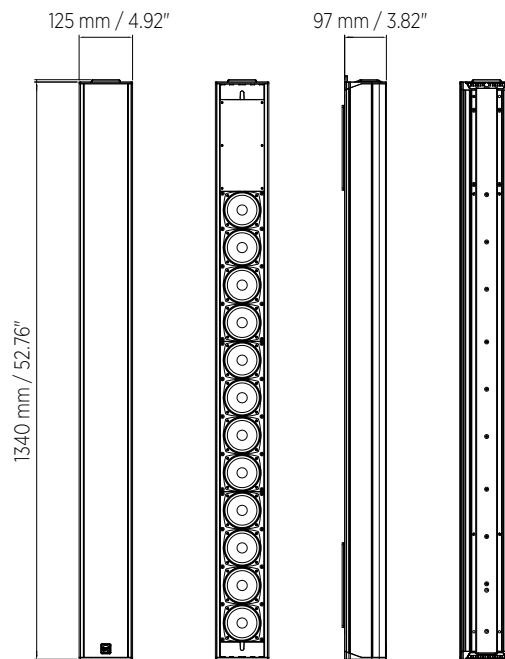
## COLUMN

### VSA 1250 II

#### DIGITALLY STEERABLE COLUMN SPEAKER

The VSA 1250 II is a multi-amplified vertical steerable array that represents one of the latest RCF applications in terms of digital audio technology. Thanks to powerful DSPs it processes the audio signal sent to each speaker for controlling its vertical acoustic dispersion to address the audio signal exactly to the listening area, avoiding to send the acoustic energy to ceilings and empty floors, thus not introducing bad reflections that would affect speech intelligibility, mainly in critical environments with high reverberation time. Full RDNet compatibility.

- 12 x Class D, 50 W amplifiers
- 94 dB Max SPL (@ 30 m)
- 12 x 3.5" full range neo speakers
- 48 kHz 32 bit signal processing
- Horizontal dispersion 130°
- Vertical Coverage Beam from 10° to 30°
- Vertical Steering from 0° to -40°
- Standard installation accessories included
- Extruded aluminium body



PRODUCT NAME		PART NUMBER
<b>VSA 1250 II</b>	[220-240V] White	<b>13100025</b>
<b>VSA 1250 II B</b>	[220-240V] Black	<b>13100055</b>
<b>VSA 1250 II</b>	[220-240V] Custom Color	<b>13100027</b>
<b>VSA 1250 II</b>	[115V] White	<b>13100026</b>
<b>VSA 1250 II B</b>	[115V] Black	<b>13100056</b>
<b>VSA 1250 II</b>	[115V] Custom Color	<b>13100032</b>

#### Acoustical specifications

Frequency Response:	120 Hz ÷ 18000 Hz
Max SPL @ 30m:	94 dB
Horizontal coverage angle:	130°
Vertical coverage angle:	30°

#### Transducers

Fullrange:	12 x 3.5" neo, 1.0" v.c
------------	-------------------------

#### Input/Output section

Input signal:	bal/unbal
Input connectors:	Ceramic screw terminals
Input sensitivity:	0 dBu

#### Processor section

Protections:	Thermal, short circuit
Limiter:	Soft Limiter
RDNet:	Yes

#### Power section

Total Power:	1300 W Peak, 650 W RMS
Cooling:	Convection
Connections:	VDE

#### Physical specifications

Cabinet/Case Material:	Aluminium
Hardware:	2 x wall mounting flange
Dimensions (HxWxD):	52,76" x 4.92" x 3.82"   1340 x 125 x 97 mm
Weight:	13.8 kg / 30.42 lbs

#### Accessories

SWM-BR VSA II	White	p.n. 13360410
SWM-BR VSA II	Black	p.n. 13360442
TA1000 VSA		p.n. 13360318
VSA SMART RC		p.n. 13360330

Specifications pag. 49

# 850

## COLUMN

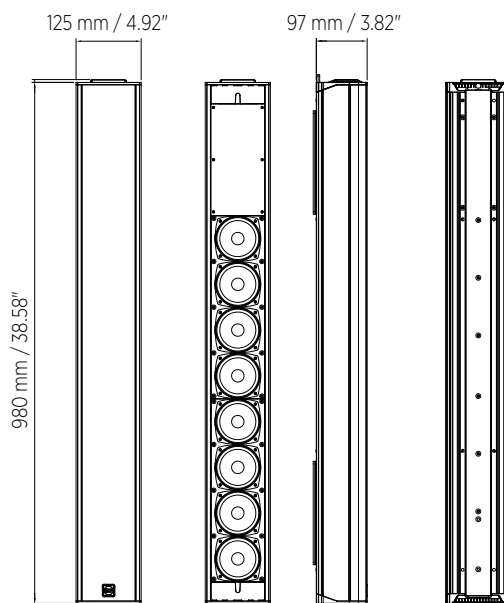


### VSA 850 II

#### DIGITALLY STEERABLE COLUMN SPEAKER

The VSA 850 II is a multi-amplified vertical steerable array that represents one of the latest RCF applications in terms of digital audio technology. Thanks to powerful DSPs it processes the audio signal sent to each speaker for controlling its vertical acoustic dispersion to address the audio signal exactly to the listening area, avoiding to send the acoustic energy to ceilings and empty floors, thus not introducing bad reflections that would affect speech intelligibility, mainly in critical environments with high reverberation time. Full RDNet compatibility.

- 8 x Class D, 50 W amplifiers
- 93 dB Max SPL (@ 30 m)
- 8 x 3.5" full range neo speakers
- 48 kHz 32 bit signal processing
- Horizontal dispersion 130°
- Vertical Coverage Beam from 10° to 30°
- Vertical Steering from 0° to -40°
- Standard installation accessories included
- Extruded aluminium body



PRODUCT NAME		PART NUMBER
<b>VSA 850 II</b>	[220-240V] White	<b>13100028</b>
<b>VSA 850 II B</b>	[220-240V] Black	<b>13100057</b>
<b>VSA 850 II</b>	[220-240V] Custom Color	<b>13100030</b>
<b>VSA 850 II</b>	[115V] White	<b>13100029</b>
<b>VSA 850 II B</b>	[115V] Black	<b>13100058</b>
<b>VSA 850 II</b>	[115V] Custom Color	<b>13100033</b>

#### Acoustical specifications

Frequency Response:	130 Hz ÷ 18000 Hz
Max SPL @ 30m:	93 dB
Horizontal coverage angle:	130°
Vertical coverage angle:	30°

#### Transducers

Fullrange:	20 x 3.5" neo, 1.0" v.c
------------	-------------------------

#### Input/Output section

Input signal:	bal/unbal
Input connectors:	Ceramic screw terminals
Input sensitivity:	0 dBu

#### Processor section

Protections:	Thermal, short circuit
Limiter:	Soft Limiter
RDNet:	Yes

#### Power section

Total Power:	1300 W Peak, 650 W RMS
Cooling:	Convection
Connections:	VDE

#### Physical specifications

Cabinet/Case Material:	Aluminium
Hardware:	2 x wall mounting flange
Dimensions (HxWxD):	38.58" x 4.92" x 3.82"   980 x 125 x 97 mm
Weight:	11.2 kg / 24.69 lbs

#### Accessories

		Specifications pag. 49
SWM-BR VSA II	White	p.n. 13360410
SWM-BR VSA II	Black	p.n. 13360442
TA1000 VSA		p.n. 13360318
VSA SMART RC		p.n. 13360330



# VSA ACCESSORIES

## VSA SMART RC

cod. 13360330

### SMARTPHONE REMOTE CONTROL FOR VSA COLUMN SPEAKERS

The VSA-RC is an easy way to control the VSA speakers through the VSA Remote App available on iOS or Android. The I/R receiving diode is recessed, and its directivity coverage has been narrowed to receive I/R commands just from the dedicated remote located in front of the column axis. Thanks to this, if two columns are one close to the other, there is no risk to drive two receivers at the same time.

- Select the proper beaming and tilting configuration
- Delay in metres
- Voice/music optimization filters
- Selection of equalization
- Phase rotation
- Input selection
- Delay setting



## SWM-BR VSA II BLACK

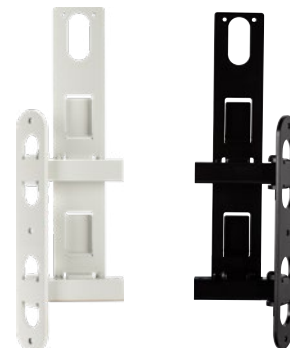
cod. 13360442 **BLACK**

## SWM-BR VSA II

cod. 13360410 **WHITE**

### PAIR OF SWIVEL BRACKETS FOR VSA COLUMN SPEAKERS

- Two mounting points for the VSA loudspeaker rear side.
- Three holes for wall mounting through M5 wall plugs.
- Two bolts and nuts (used as pins) can be tightened to fix the VSA loudspeaker when the horizontal angle pointing is correct.
- Color: White RAL 9003 and Black RAL 9005
- Two holes to secure the VSA loudspeaker to the swivel bracket through two screws (M5x10)

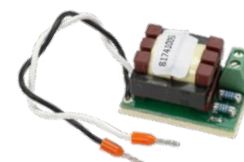


## TA1000 VSA

cod. 13360318

### 100V TRANSFORMER FOR VSA ACTIVE SPEAKERS

TA 1000 is an accessory that consists of a small printed circuit board with a transformer that allows the connection of a 100 V line (amplifier output) directly to the aux audio input (0 dBu) of an active speaker.



# L24

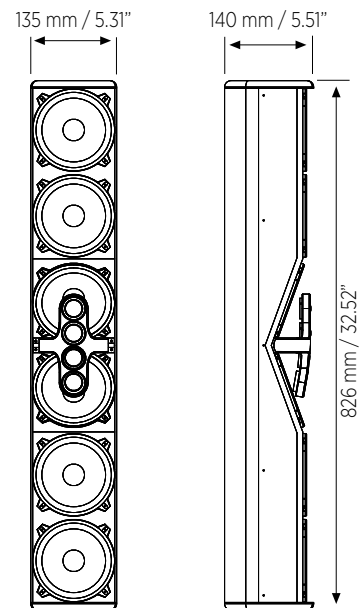
## COLUMN

### L 2406T

#### THREE-WAY SPEAKER COLUMN ARRAY

The L2406-T is a full range high intelligibility compact 3 way column speaker array with vertical controlled directivity for medium to large size installations. It is equipped with six 5" woofers and four 1" dome tweeters mounted in front of the two central woofers. This particular design permits coherent sound dispersion minimizing lobing in a very compact enclosure. The two central woofers are controlled differently from the other four because of the tweeters in front of them, in order to improve the directivity providing a true cardioid column operation. The wide coverage horizontal angle and the controlled vertical dispersion allow correct sound reproduction serving a wide area and assistance in limiting feedback and reverberated sound. A speech filter can be activated for enhancing the voice frequencies and improving speech intelligibility. The crossover is designed to avoid secondary lobe creation. Mounting accessories are provided and are designed to keep the column as close as possible to the wall and simplify the installation allowing suitable tilting. The L2406-T can be used connected to a low impedance amplifier to handle 200 W RMS power. It also includes a 60 W line transformer for 100 V systems. The crossover is equipped with a circuit to protect the four 1" dome tweeters.

- 200 W RMS power handling
- 126 dB max SPL
- 100 ÷ 20000 Hz frequency range
- 150° x 30° constant directivity coverage angle
- 6 x 5" woofers
- 4 x 1" dome tweeters
- Baltic birch plywood cabinet
- Speech enhancer filter
- Built-in wall mounting accessories



PRODUCT NAME		PART NUMBER
<b>L 2406T</b>	Black	<b>13000169</b>
<b>L 2406T W</b>	White	<b>13000177</b>

#### Acoustical specifications

Frequency Response (-10dB):	100 Hz ÷ 20000 Hz
Max SPL @ 1m:	126 dB
Horizontal coverage angle:	150°
Vertical coverage angle:	30°
Directivity index Q:	9
System Sensitivity:	97 dB

#### Power section

Nominal Impedance:	8 ohm
Power Handling:	200 W
Peak Power Handling:	800 W PEAK
Recommended Amplifier:	400 W
Protections:	Dynamic active mosfet

#### Power section

Crossover Frequencies:	2000 Hz
------------------------	---------

#### Transducers

Dome Tweeter:	4 x 1.0", 1.0" v.c
Woofer:	6 x 5.0", 1.0" v.c

#### Input/Output section

Input connectors:	Euroblock
Constant Voltage Transformer:	100 V
Power selection:	60 - 30 - 15 - 10 W

#### Physical specifications

Cabinet/Case Material:	Baltic birch plywood
Hardware:	4 x M5 inserts
Grille:	Steel
Dimensions (HxWxD):	32.52" x 5.31" x 5.51"   826 x 135 x 140 mm
Weight:	12.8 kg / 28.22 lbs

# 100 COLUMN

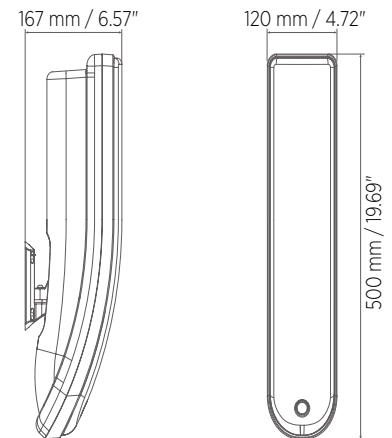


## MQ 100L

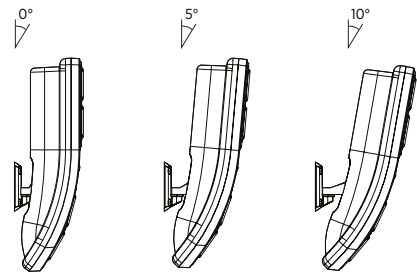
### THREE-WAY COLUMN LOUDSPEAKER

MQ 100L (available in black and white) is a 3 way column loudspeaker providing natural hi-fi delity sound of both speech and music, suitable for sound system having fixed loudspeakers where the environment is acoustically critical or with architectural constraints. The wide horizontal coverage angle (180°) and the vertical dispersion (60°) allow the correct sound reproduction in a wide space, in order to limit feedback and improve the sound directivity which is important, for instance, in halls having a long reverberation time. The mounting accessories are included. These have been engineered to keep the column as close as possible to the wall and simplify the installation. Its tilt angle can be chosen among 0° - 5° - 10°. The 60° vertical dispersion is asymmetric: it is the difference between 20° upwards and 40° downwards. The vertical dispersion axis is in fact already angled 10° downwards, making it unnecessary to tilt the sound column excessively.

- 2 x 3.5" woofer, 2 x 3.5 midrange and 2 x 0.75 dome tweeter
- Power selectable (100 V): 40 W - 20 W - 10 W - 5 W
- 93 dB sensitivity
- Colour white RAL 9016 and black RAL 9005
- Plastic body, steel grille



Its tilt angle can be chosen among 0° - 5° - 10°.



PRODUCT NAME	PART NUMBER
<b>MQ 100L B</b> Black - RAL 9005	<b>13000186</b>
<b>MQ 100L W</b> White - RAL 9016	<b>13000187</b>

#### Acoustical specifications

Frequency Response (-10dB):	130 Hz ÷ 20000 Hz
Max SPL @ 1m:	112 dB
Horizontal coverage angle:	180°
Vertical coverage angle:	60°
System Sensitivity:	9

#### Power section

Nominal Impedance (ohm):	16 ohm
Power Handling:	80 W RMS
Peak Power Handling:	320 W PEAK
Recommended Amplifier:	160 W
Protections:	PTC on tweeter
Crossover Frequencies:	2000 Hz

#### Transducers

Dome Tweeter:	2 x 0.75"
Midrange:	2 x 3.5"
Woofer:	2 x 3.5"

#### Input/Output section

Input connectors:	Euroblock
Output connectors:	Euroblock
Constant Voltage Transformer:	100 V
Power selection:	40 - 20 - 10 - 5 W

#### Physical specifications

Cabinet/Case Material:	Plastic
Hardware:	Wall mount bracket
Grille:	Steel
Dimensions (HxWxD):	19.69"x4.72"x6.57"   500x120x167 mm
Weight:	2.73 kg / 6.02 lbs

# DP5 PROJECTOR

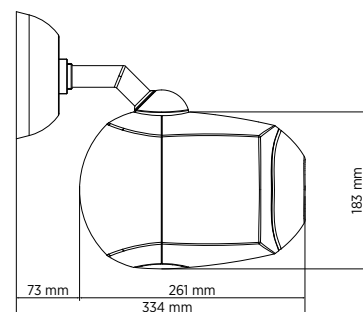
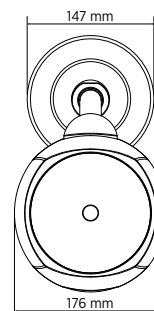
## DP 5EN

### UNIDIRECTIONAL SOUND PROJECTOR

DP 5EN is a weatherproof sound projector suitable for all those installations where high intelligibility for alarm messages broadcasting and great sound reproduction quality are required. Thanks to its IP65 protection grade, it can be installed both indoor and outdoor. Moreover, a modern and endearing design makes it the perfect product for environments where projectors are intended also as architectural elements and contribute to improve global aesthetics.



- 5" fullrange transducer
- Power selectable (100 V): 20 - 10 - 5 - 2.5 W
- 88 dB sensitivity
- Colour white RAL 9016
- Flameproof ABS body, steel grille
- In/out ceramic terminal block
- Thermal fuse protection
- Protection grade IP65



PRODUCT NAME	PART NUMBER
<b>BS 5EN</b> White - RAL 9016	<b>13133078</b>

#### CERTIFICATION

<b>EN 54-24</b>	<b>CPR: 0068-CPR-058/2014</b>	<b>CE</b>
-----------------	-------------------------------	-----------

#### Acoustical specifications

Frequency Response (-10dB):	80 Hz ÷ 20000 Hz
Max SPL @ 1m:	101 dB
Max SPL @ 4m:	89 dB
Coverage angle:	210°
System Sensitivity:	88 dB
System Sensitivity 1W @ 4m:	76 dB

#### Power section

Power Handling:	20 W
Peak Power Handling:	80 W PEAK
Recommended Amplifier:	40 W
Protections:	Thermal fuse

#### Transducers

Fullrange:	5.0"
------------	------

#### Input/Output section

Input connectors:	Ceramic screw terminals
Output connectors:	Ceramic screw terminals
Constant Voltage Transformer:	100 V
Power selection:	20 - 10 - 5 - 2.5 W

#### Physical specifications

Cabinet/Case Material:	ABS
Hardware:	Wall mount metal plate
Grille:	Steel
IP protection grade:	IP 65
Dimensions (HxWxD):	7.2"x6.93"x10.28"   183x176x261 mm
Weight:	2.61 kg / 5.75 lbs

# BS5 PENDANT

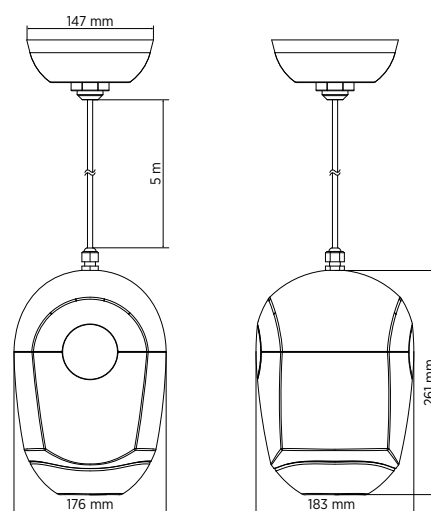
## BS 5EN

### PENDANT SEPAKER

BS 5EN is a pendant speaker suitable for all those installations where high intelligibility for alarm messages broadcasting and great sound reproduction quality are required. Thanks to its IP65 protection grade, it can be installed both indoor and outdoor. Moreover, a modern and endearing design makes it the perfect product for environments where projectors are intended also as architectural elements and contribute to improve global aesthetics.



- 5" coaxial woofer with 0.75" dome tweeter
- Power selectable (100 V): 20 - 10 - 5 - 2.5 W
- 88 dB sensitivity
- Colour white RAL 9016
- Flameproof ABS body, steel grille
- In/out ceramic terminal block
- Thermal fuse protection
- Protection grade IP65



PRODUCT NAME	PART NUMBER
<b>BS 5EN</b> White - RAL 9016	<b>13133078</b>

#### CERTIFICATION

<b>EN 54-24</b>	<b>CPR: 0068-CPR-058/2014</b>	<b>CE</b>
-----------------	-------------------------------	-----------

#### Acoustical specifications

Frequency Response (-10dB):	80 Hz ÷ 20000 Hz
Max SPL @ 1m:	101 dB
Max SPL @ 4m:	89 dB
Coverage angle:	170°
System Sensitivity:	88 dB
System Sensitivity 1W @ 4m:	76 dB

#### Power section

Power Handling:	20 W
Peak Power Handling:	80 W PEAK
Recommended Amplifier:	40 W
Protections:	Thermal fuse

#### Transducers

Dome Tweeter:	0.75"
Woofer:	Coaxial 5.0"

#### Input/Output section

Input connectors:	Ceramic screw terminals
Output connectors:	Ceramic screw terminals
Constant Voltage Transformer:	100 V
Power selection:	20 - 10 - 5 - 2.5 W

#### Physical specifications

Cabinet/Case Material:	ABS
Hardware:	Wall mount metal plate and 5m cable
Grille:	Steel
IP protection grade:	IP 65
Dimensions (HxWxD):	10.28"x6.93"x7.2"   261x176x183 mm
Weight:	2.79 kg / 6.15 lbs

# S15 SUBWOOFER



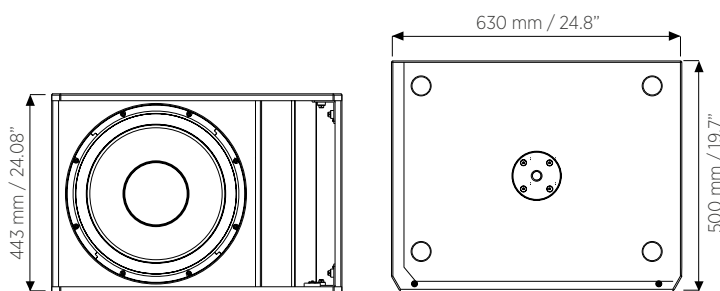
## S 15

### BASS REFLEX SUBWOOFER

S 15 is a high power, compact subwoofer system where the physically small size and impact of a 15" driver is desired. Extending the frequency response of these systems to below 35Hz this highly efficient design is capable of providing output levels normally associated with considerably larger enclosures.

A system suited to background music playback in applications ranging from clubs, bars and cafes, right through to theatres and AV presentations. The low-frequency transducer is a 15" woofer with a 3.0" voice coil. Woofer design is the result of the latest refinements in RCF experiences in compact active and passive subwoofer design, resulting in a fast and controlled reproduction of the bass frequency range.

- 500 W RMS power handling
- 126 dB max SPL
- 35 ÷ 200 Hz frequency range
- 1 x 15" high power woofer
- High quality plywood cabinet
- Steel front grille with clothing
- M20 standard pole mount in top section of cabinet
- 4 pole EUROBLOCK connector (audio input and parallel link output)



PRODUCT NAME	PART NUMBER
<b>S 15</b> Black	<b>13000667</b>

#### Acoustical specifications

Frequency Response (-10dB):	35 Hz ÷ 200 Hz
Max SPL @ 1m:	126 dB
System Sensitivity:	95 dB

#### Power section

Amplification:	Full Range
Nominal Impedance:	8 ohm
Power Handling:	500 W RMS
Peak Power Handling:	2000 W PEAK
Recommended Amplifier:	1000 W

#### Transducers

Woofer:	15", 3.0" v.c
---------	---------------

#### Input/Output section

Input connectors:	Euroblock
Output connectors:	Euroblock

#### Physical specifications

Cabinet/Case Material:	Plywood
Hardware:	12 x M10
Pole mount/Cap:	Yes
Grille:	Steel with clothing
Dimensions (HxWxD):	17.44"x24.8"x19.69"   443x630x500 mm
Weight:	60.63 lbs   27.5 kg

#### Accessories

PNL IN-OUT SPEAKON

Specifications pag. 57

p.n. 12399062

# S12

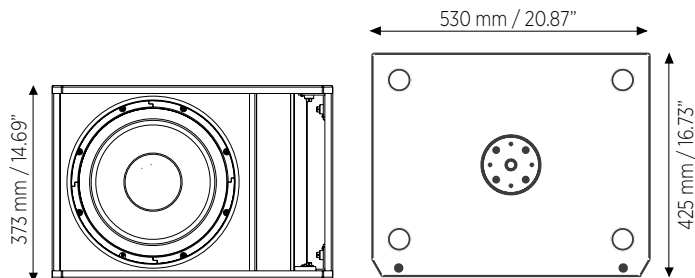
## SUBWOOFER

### S 12

#### BASS REFLEX SUBWOOFER

S 12 is a high power, compact subwoofer system ideal for those installations where the physically small size and impact of a 12" driver are desired. Extending the frequency response of these systems to below 40Hz this highly efficient design is capable of providing output levels normally associated with considerably larger enclosures. A system suited to background music playback in applications ranging from clubs, bars and cafes, right through to theatres and AV presentations. The low-frequency transducer is a 12" woofer with a 2,5" voice coil. Woofer design is the result of the latest refinements in RCF experiences in compact active and passive subwoofer design, resulting in a fast and controlled reproduction of the bass frequency range.

- 400W AES power handling
- 125 dB max SPL
- 40 ÷ 200 Hz frequency range
- 1 x 12" high-power woofer
- High-quality plywood cabinet
- Steel front grille with clothing
- M20 standard pole mount in top section of cabinet
- 4 pole EUROBLOCK connector (audio input and parallel link output)



PRODUCT NAME	PART NUMBER
<b>S 12</b> Black	<b>13000618</b>

#### Acoustical specifications

Frequency Response (-10dB):	40 Hz ÷ 200 Hz
Max SPL @ 1m:	125 dB
System Sensitivity:	93 dB

#### Power section

Amplification:	Full Range
Nominal Impedance:	8 ohm
Power Handling:	400 W RMS
Peak Power Handling:	1600 W PEAK
Recommended Amplifier:	800 W

#### Transducers

Woofer:	12", 2.5" v.c
---------	---------------

#### Input/Output section

Input connectors:	Euroblock
Output connectors:	Euroblock

#### Physical specifications

Cabinet/Case Material:	Plywood
Hardware:	12 x M10
Pole mount/Cap:	Yes
Grille:	Steel with clothing
Dimensions (HxWxD):	14.69"x20.87"x16.73"   373x530x425 mm
Weight:	54.23 lbs   24.6 kg

#### Accessories

PNL IN-OUT SPEAKON
--------------------

Specifications pag. 57

p.n. 12399062

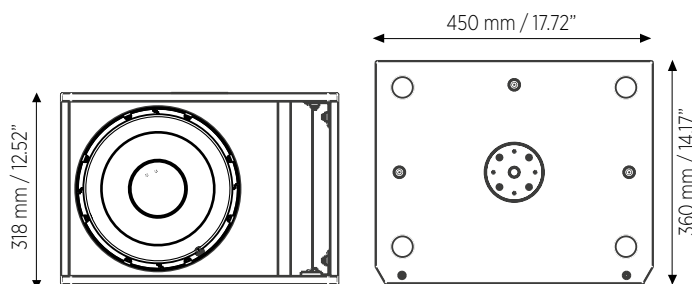
# S10 SUBWOOFER

## S 10

### BASS REFLEX SUBWOOFER

S 10 is a high power, compact subwoofer system ideal for those installations where the physically small size and impact of a 10" driver are desired. Extending the frequency response of these systems to below 50Hz this highly efficient design is capable of providing output levels normally associated with considerably larger enclosures. A system suited to background music playback in applications ranging from clubs, bars and cafes, right through to theatres and AV presentations. The low-frequency transducer is a 10" woofer with a 2,5" voice coil. Woofer design is the result of the latest refinements in RCF experiences in compact active and passive subwoofer design, resulting in a fast and controlled reproduction of the bass frequency range.

- 400 W RMS power handling
- 124 dB max SPL
- 50 ÷ 200 Hz frequency range
- 1 x 10" high power woofer
- High quality plywood cabinet
- Steel front grille with clothing
- M20 standard pole mount in top section of cabinet
- 4 pole EUROBLOCK connector (audio input and parallel link output)



PRODUCT NAME	PART NUMBER
<b>S 10</b> Black	<b>13000617</b>

#### Acoustical specifications

Frequency Response (-10dB):	45 Hz ÷ 200 Hz
Max SPL @ 1m:	124 dB
System Sensitivity:	92 dB

#### Power section

Amplification:	Full Range
Nominal Impedance:	8 ohm
Power Handling:	400 W RMS
Peak Power Handling:	1600 W PEAK
Recommended Amplifier:	800 W

#### Transducers

Woofer:	10", 2,5" v.c
---------	---------------

#### Input/Output section

Input connectors:	Euroblock
Output connectors:	Euroblock

#### Physical specifications

Cabinet/Case Material:	Plywood
Hardware:	12 x M10
Pole mount/Cap:	Yes
Grille:	Steel with clothing
Dimensions (HxWxD):	12.52"x17.72"x14.17"   318x450x360 mm
Weight:	43.21 lbs   19.6 kg

#### Accessories

PNL IN-OUT SPEAKON

Specifications pag. 57

p.n. 12399062



# SUB ACCESSORIES

## **PNL IN-OUT SPEAKON**

p.n. 12399062

SPEAKON IN-OUT CONNECTOR OPTIONAL PANEL  
FOR S 15, S 12 and S 10

PNL IN-OUT is an optional panel that allows to switch from EUROBLOCK to SpeakON input / output connectors. This can be done easily thanks to the single connector on the back

---



# RdNet

## ELECTRONICS



### RDNET CONTROL 8

#### 8 OUTPUT MASTER UNIT

p.n. 17170154

RdNet Control 8 is a USB/Ethernet interface with 8 RdNet inputs, able to connect up to 256 (8x32) RCF RdNet compatible devices via Ethernet CAT5 cables. With Control 8 and RdNet management software, it's possible to manage and control single or groups of devices with in-depth real-time monitoring. The RdNet Scan function sequentially scans all audio devices connected to Control 8, recognizes, assigns digital address labels, and adds them as objects in the main RdNet window for management, audio routing, monitoring, and adjustments.

- Ethernet (remote control) and USB (direct control) PC connection to RdNet
- Control up to 8 SUB-NETS of up to 32 slave devices
- All devices are cyclically scanned ("polling") 10 times a second
- Auto detect device placement
- Controlling slave devices status and functions
- Monitoring and displaying faults and warnings sent from slave devices
- Storing subnet user filters configuration in a removable memory card



LEDs indicating

CARD READER

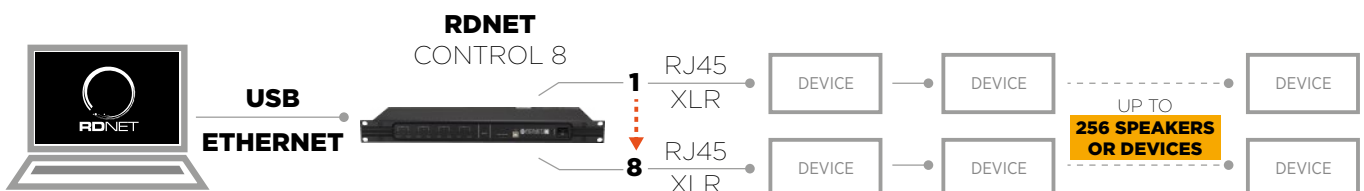
USB port for the computer



'Powercon' connector

ETH ETHERNET

CH1 Subnet 1 RDNET port



# RdNet

## ELECTRONICS

### RDNET CONTROL 2

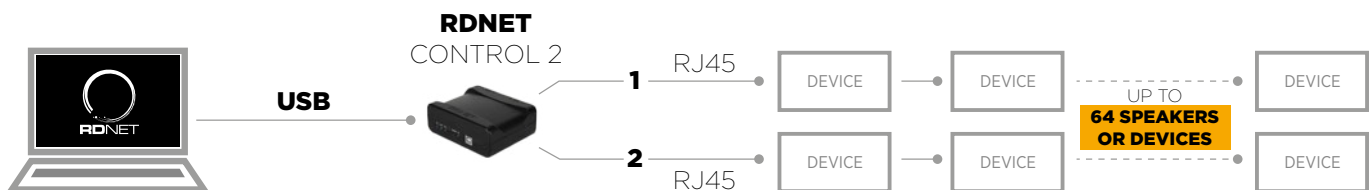
#### 2 OUTPUT MASTER UNIT



p.n. 17170163

RdNet Control 2 is a USB/Ethernet interface with 2 RdNet inputs, able to connect up to 64 (2x32) RCF RdNet compatible devices via Ethernet CAT5 cables. With Control 2 and RdNet management software, it's possible to manage and control single or groups of devices with in-depth real-time monitoring. The RdNet Scan function sequentially scans all audio devices connected to Control 2, recognizes, assigns digital address labels, and adds them as objects in the main RdNet window for management, audio routing, monitoring, and adjustments.

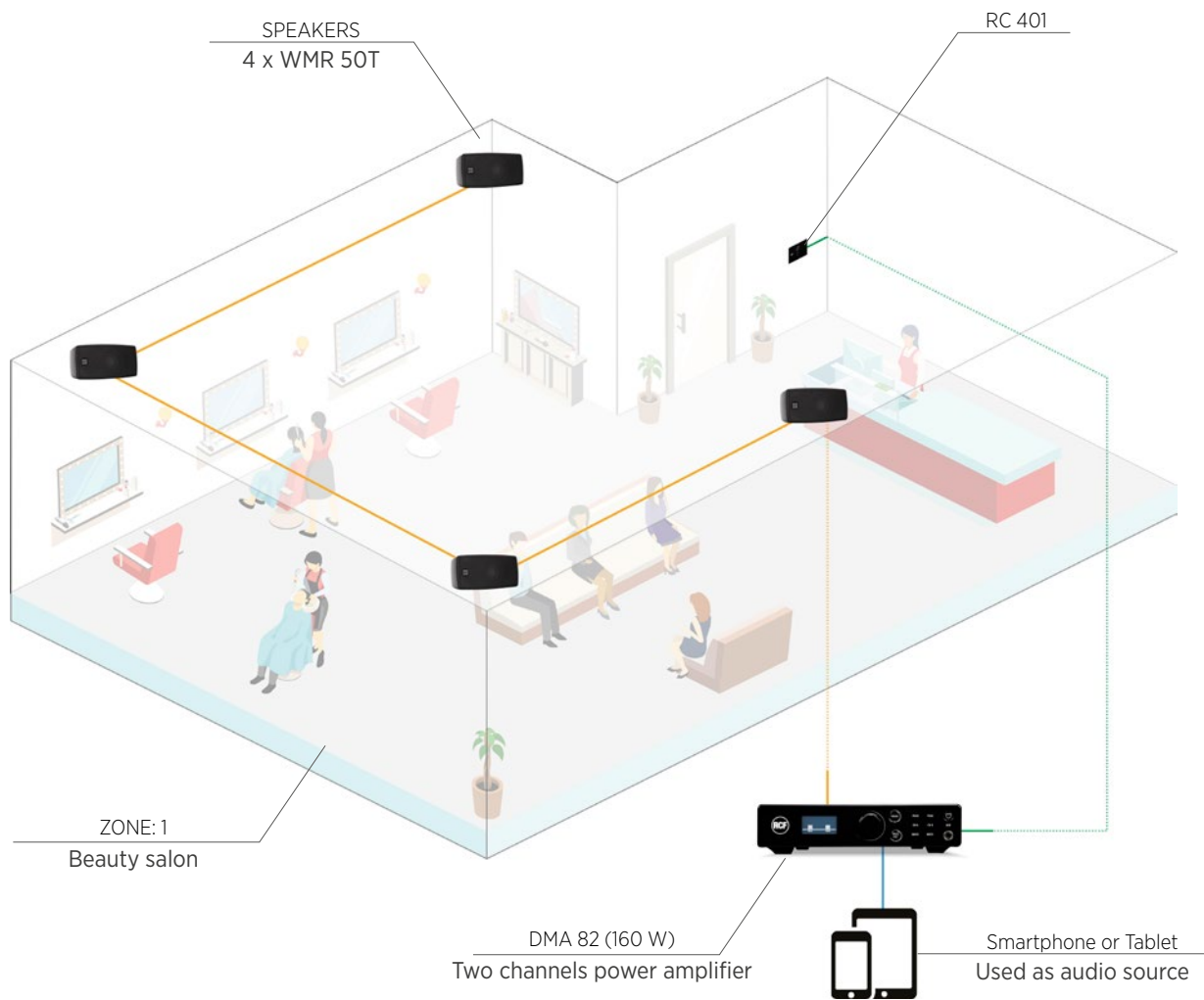
- Real-time USB device monitoring and control
- Auto detect device placement
- Control up to 2 SUB-NETS of up to 32 slave devices
- All devices are cyclically scanned ("polling") 10 times a second
- Connected devices are automatically added to the software synoptic



# APPLICATION EXAMPLES

## SMALL SHOP

Background music in a small area such as a beauty salon, small store, bookshop and similar.



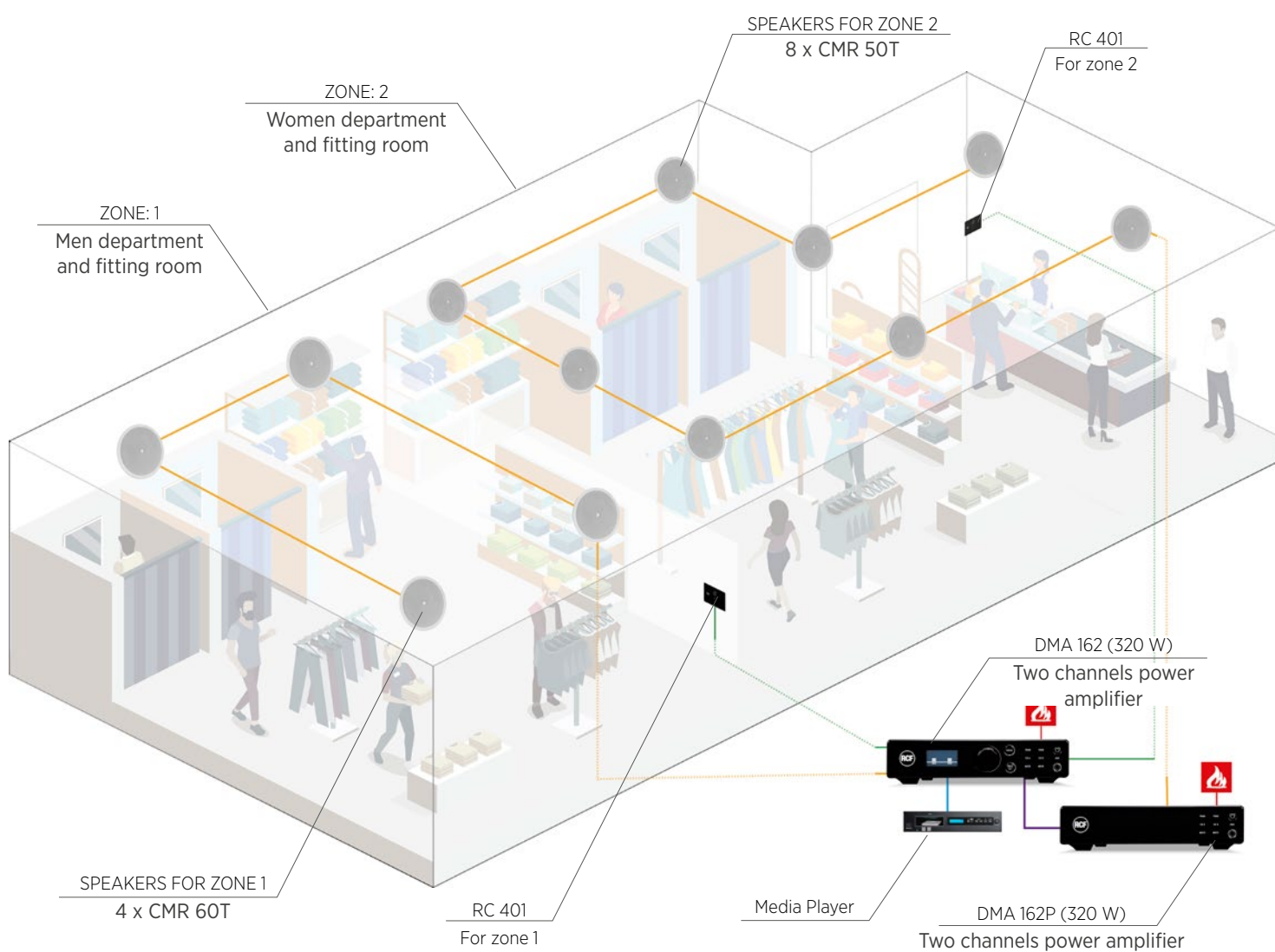
ZONES	AMPLIFIER	POWER	OUT LINES	LOUDSPEAKERS SOLUTIONS		ZONES	ACCESSORIES
1	DMA 82	160 W	HI IMP.	<b>PREMIUM</b> or or	<b>4 x WMR 50T</b> 4 x MR 40T 4 x MQ 50C	BEAUTY SALON	RC 401

— Amplifier output    — Audio input    — Accessories



## LARGE RETAIL SHOP

Background and Foreground music in a large retail shop. Separated women and men sales areas and fitting rooms, with different music programs.



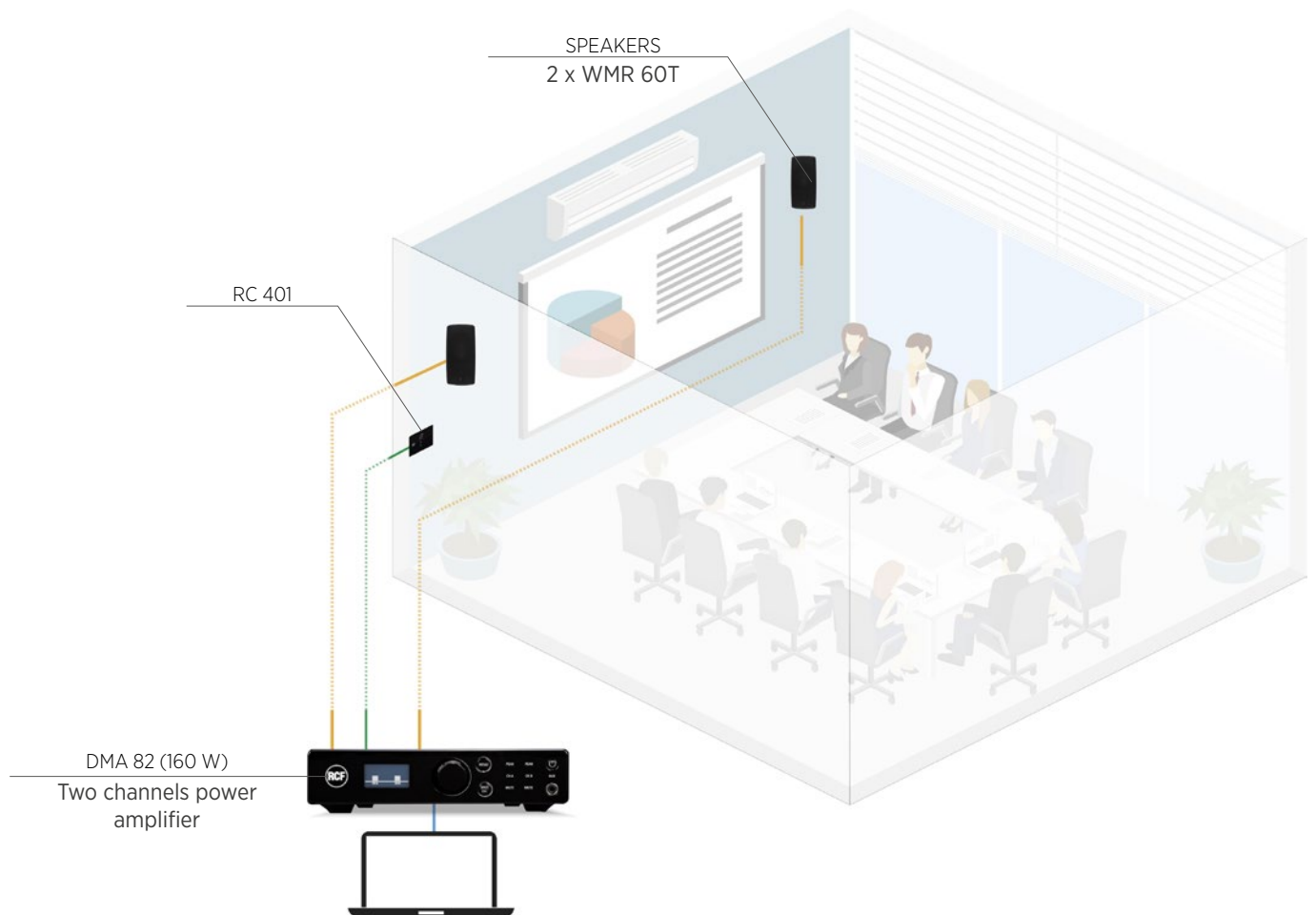
ZONES	AMPLIFIER	POWER	OUT LINES	LOUDSPEAKERS SOLUTIONS	ZONES	ACCESSORIES
2	DMA 162	320 W	HI IMP.	<b>PREMIUM</b> or 4 x CMR 60T 4 x MQ 50C	MEN	RC 401
	DMA 162P	320 W	HI IMP.	<b>PREMIUM</b> or 8 x CMR 50T 8 x PL 8X	WOMEN	RC 401

— Amplifier output — Audio input — 4 channels audio bus — Mute from emergency system — Accessories

# APPLICATION EXAMPLES

## MEETING ROOM

Multimedia application in a meeting room or a corporate space.



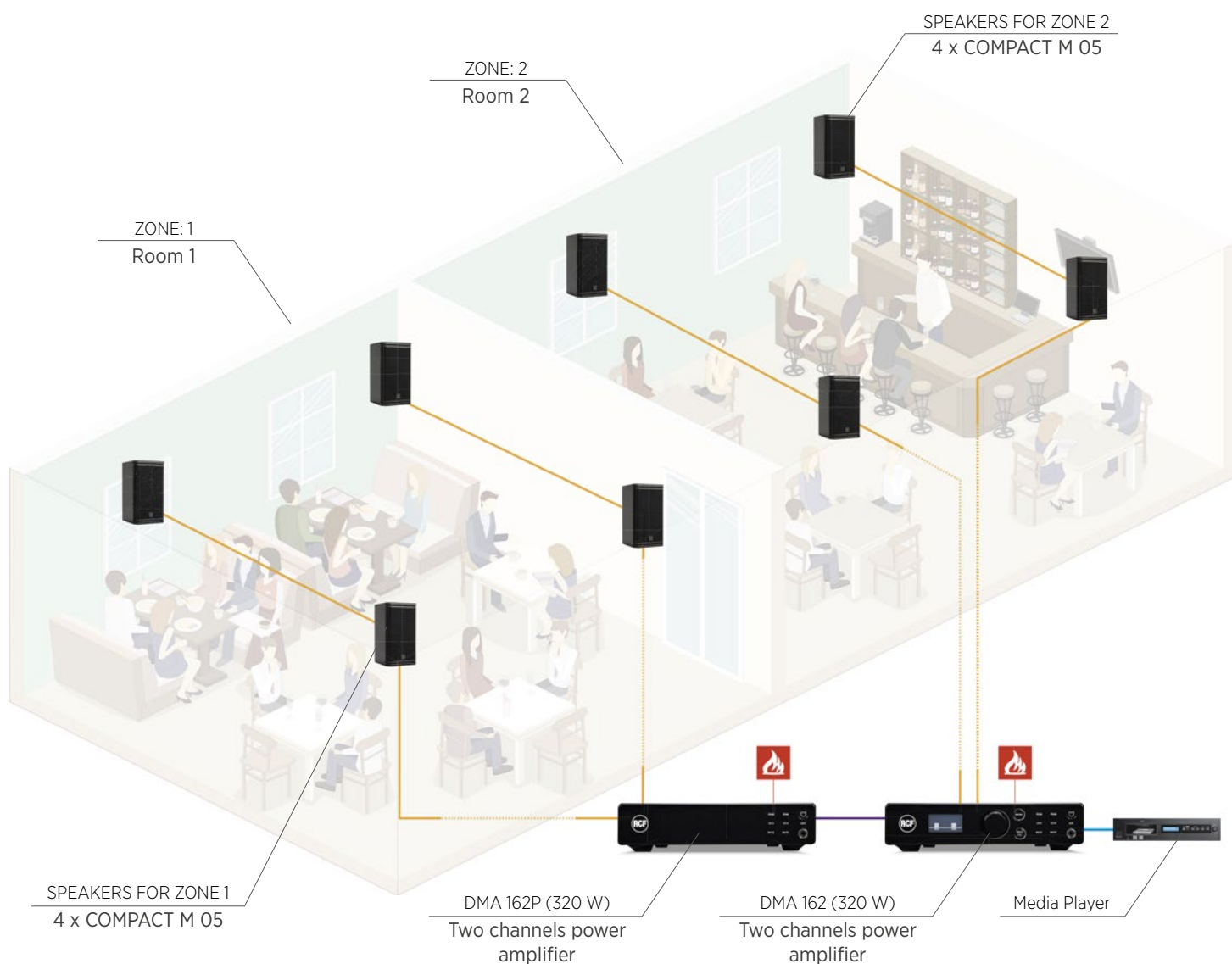
ZONES	AMPLIFIER	POWER	OUT LINES	LOUDSPEAKERS SOLUTIONS		ZONE	ACCESSORIES
1	DMA 82	2 x 80 W	LOW IMP.	<b>PREMIUM</b> or	<b>2 x WMR 60T</b> 2 x WMF 33EN	MEETING ROOM	RC 401

— Amplifier output    — Audio input    — Accessories



## BAR AND PUB

Sound reinforcement in a bar/pub with two rooms and two music programs.



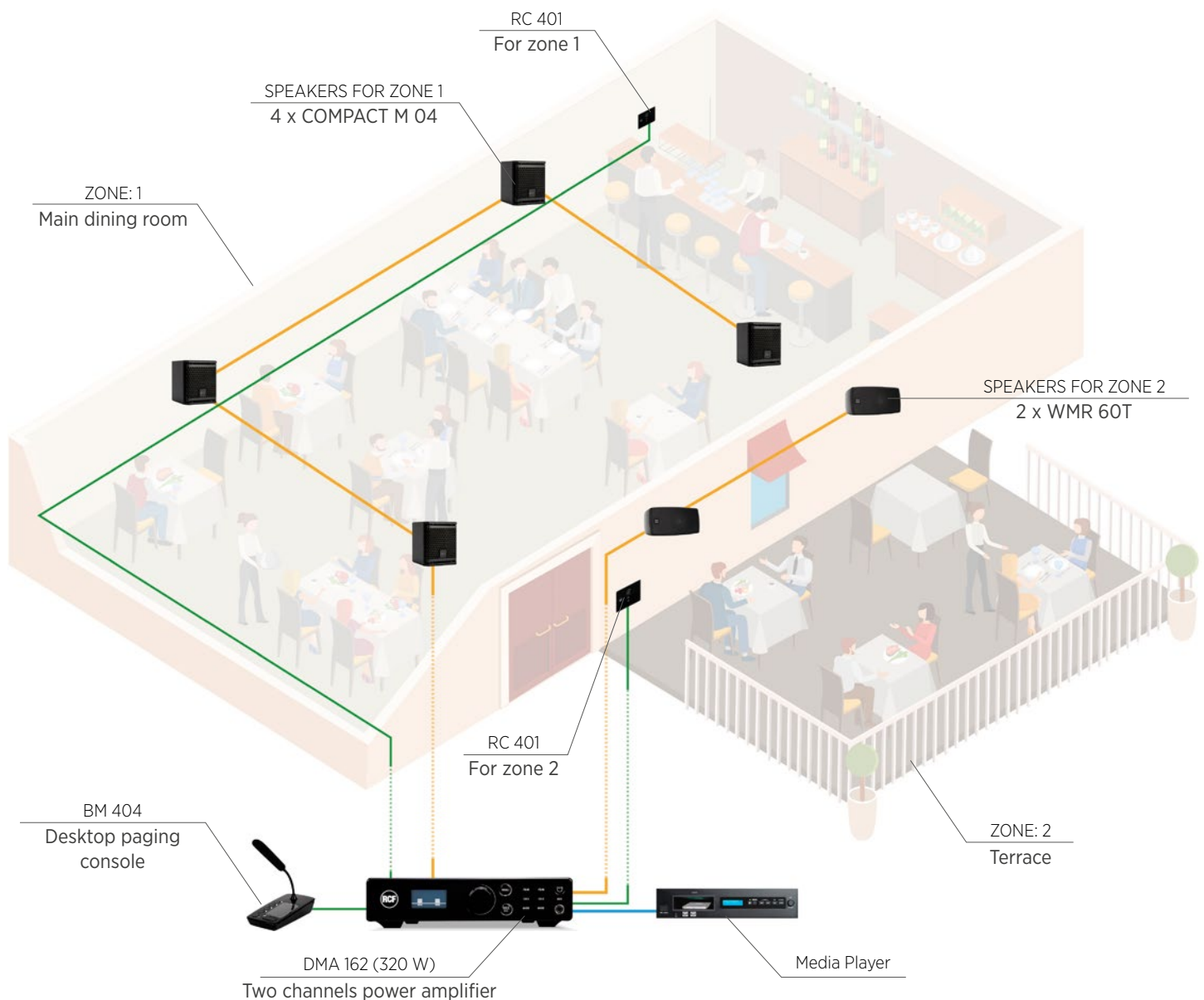
ZONES	AMPLIFIERS	POWER	OUT LINES	LOUDSPEAKERS	ZONES
2	DMA 162	2 x 160 W	LOW IMP.	4 x COMPACT M 05	ROOM 1
	DMA 162P	2 x 160 W		4 x COMPACT M 05	ROOM 2

— Amplifier output — Audio input — 4 channels audio bus — Mute from emergency system

# APPLICATION EXAMPLES

## RESTAURANT

Background music in a restaurant with two or more dining areas.



ZONES	AMPLIFIER	POWER	OUT LINES	LOUDSPEAKERS SOLUTIONS		ZONES	ACCESSORIES
2	DMA 162	2 x 160 W	LOW IMP.	<b>PREMIUM</b>	<b>4 x COMPACT M 04</b> (optimed distribution)	MAIN	2 X RC 401 1 x BM 404
				or	4 x MQ 50C	TERRACE	
				<b>PREMIUM</b>	<b>2 x WMR 60T</b>		
				or	2 x MR 50		

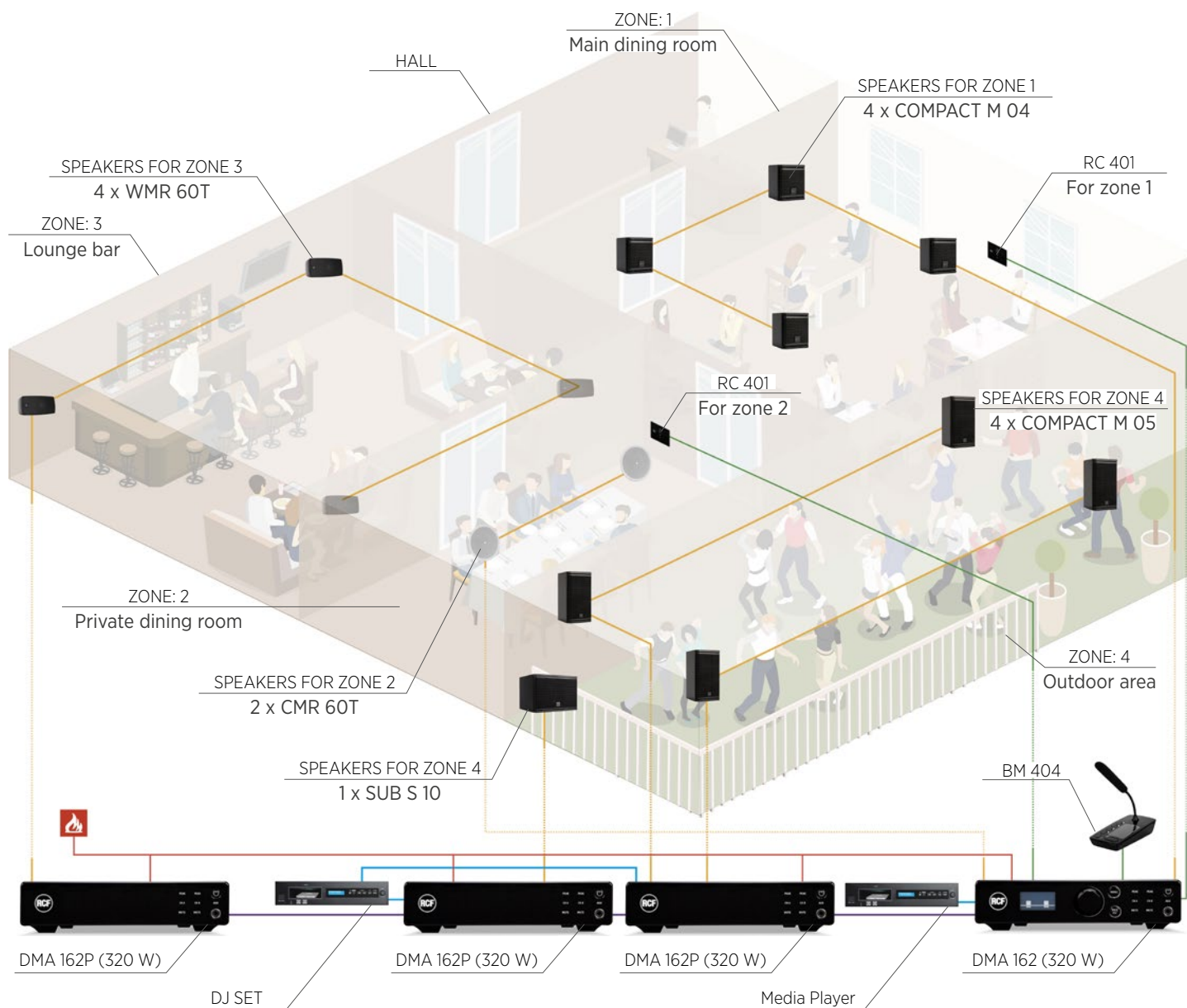
— Amplifier output    — Audio input    — Accessories





# MULTI-ROOM RISTO CLUB

Audio system for background and foreground music in a multi-room club.



ZONES	AMPLIFIER	POWER	OUT LINES	LOUDSPEAKERS SOLUTIONS	ZONES	ACCESSORIES
4	DMA 162	2 x 160 W	LOW IMP.	4 x COMPACT M 04 (optimized distribution)	1 MAIN	RC 401
			LOW IMP.	2 x CMR 60T	2 PRIVATE	RC 401
	DMA 162P	320 W	HI IMP.	4 x WMR 60T	3 LOUNGE	
	DMA 162P	2 x 160 W	LOW IMP.	4 x COMPACT M 05	4 OUTDOOR	
	DMA 162P	320 W	LOW IMP.	1 x SUB S 10		

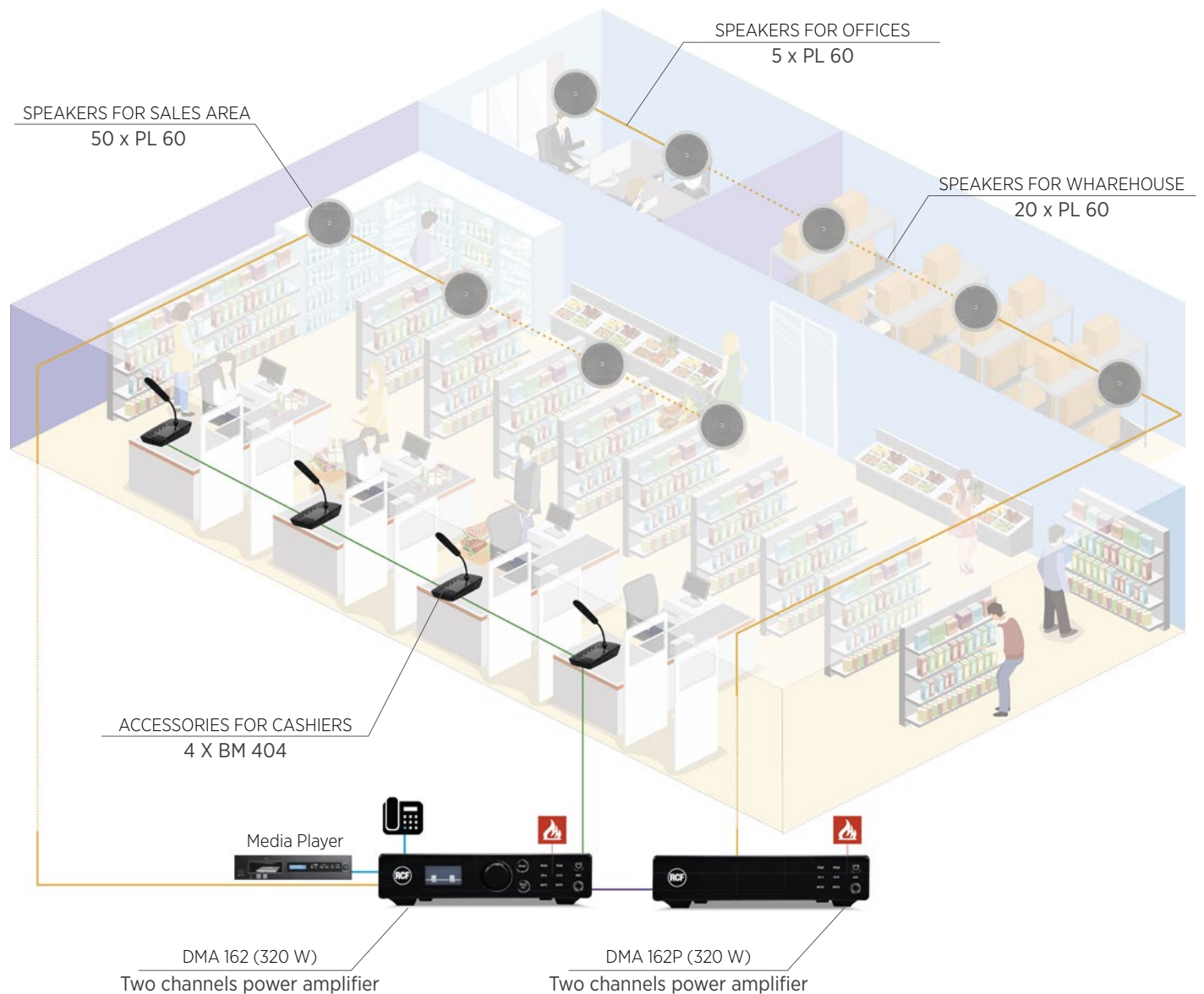
— Amplifier output    — Audio input    — Accessories    — 4 channels audio bus    — Mute from emergency system

RCF provides examples of typical applications using various products as a general guideline, not intended as a reference for installers.

# APPLICATION EXAMPLES

## SUPERMARKET

Live announcements and background music in a supermarket.



ZONES	AMPLIFIER	POWER	OUT LINES	LOUDSPEAKERS	ZONES	ACCESSORIES
1	DMA 162	320 W	HI IMP.	50 x PL 60	SALES	4 X BM 404
	DMA 162P	320 W	HI IMP.	25 x PL 60	OFFICES/ WHAREHOUSE	

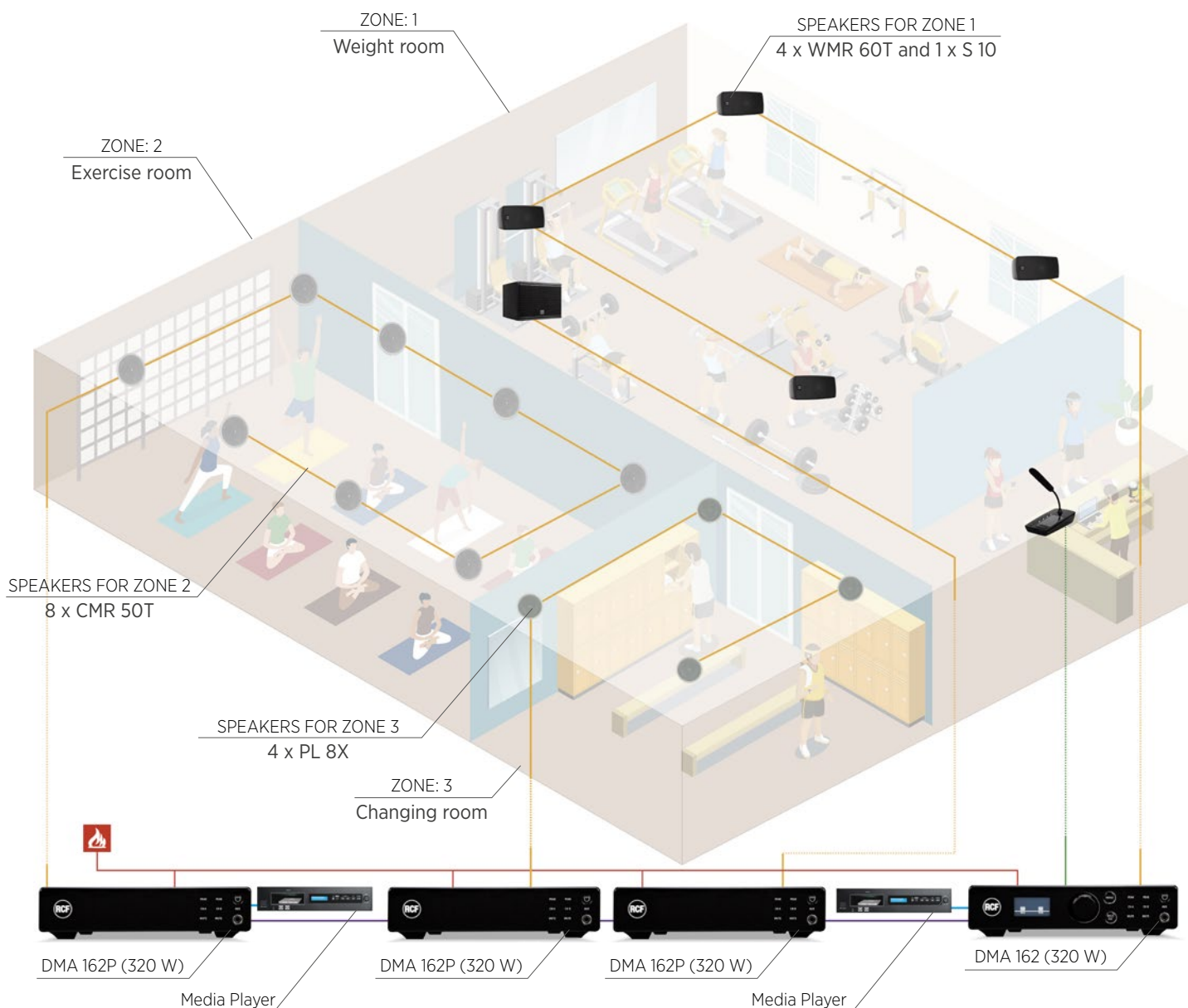
— Amplifier output — Audio input — Accessories — 4 channels audio bus — Mute from emergency system

RCF provides examples of typical applications using various products as a general guideline, not intended as a reference for installers.



# FITNESS CENTER

Background music in a sport facility or a fitness center.



ZONES	AMPLIFIER	POWER	OUT LINES	LOUDSPEAKERS	ZONES	ACCESSORIES
3	DMA 162	320 W	HI IMP.	4 x WMR 60T	1 WEIGHT ROOM	BM 404
	DMA 162P	320 W	LOW IMP.	1 x S 10		
	DMA 162P	320 W	HI IMP.	8 x CMR 50T	2 EXERCISE ROOM	
	DMA 162P	320 W	HI IMP.	4 x PL 8X	3 CHANGING ROOM	

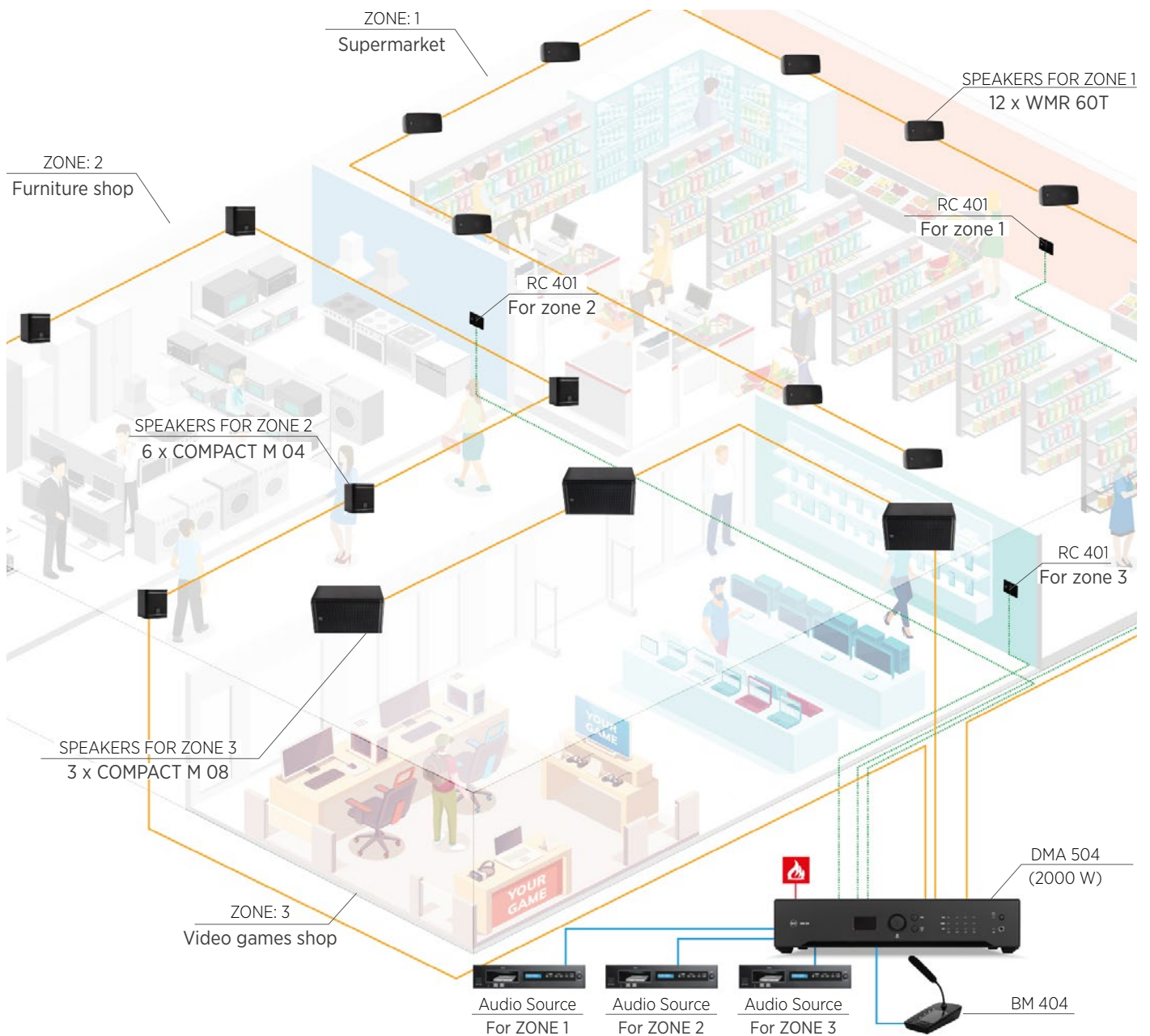
— Amplifier output — Audio input — Accessories — 4 channels audio bus — Mute from emergency system

RCF provides examples of typical applications using various products as a general guideline, not intended as a reference for installers.

# APPLICATION EXAMPLES

## SHOPPING CENTER

Live announcements and background music for Shopping Centers and Malls.



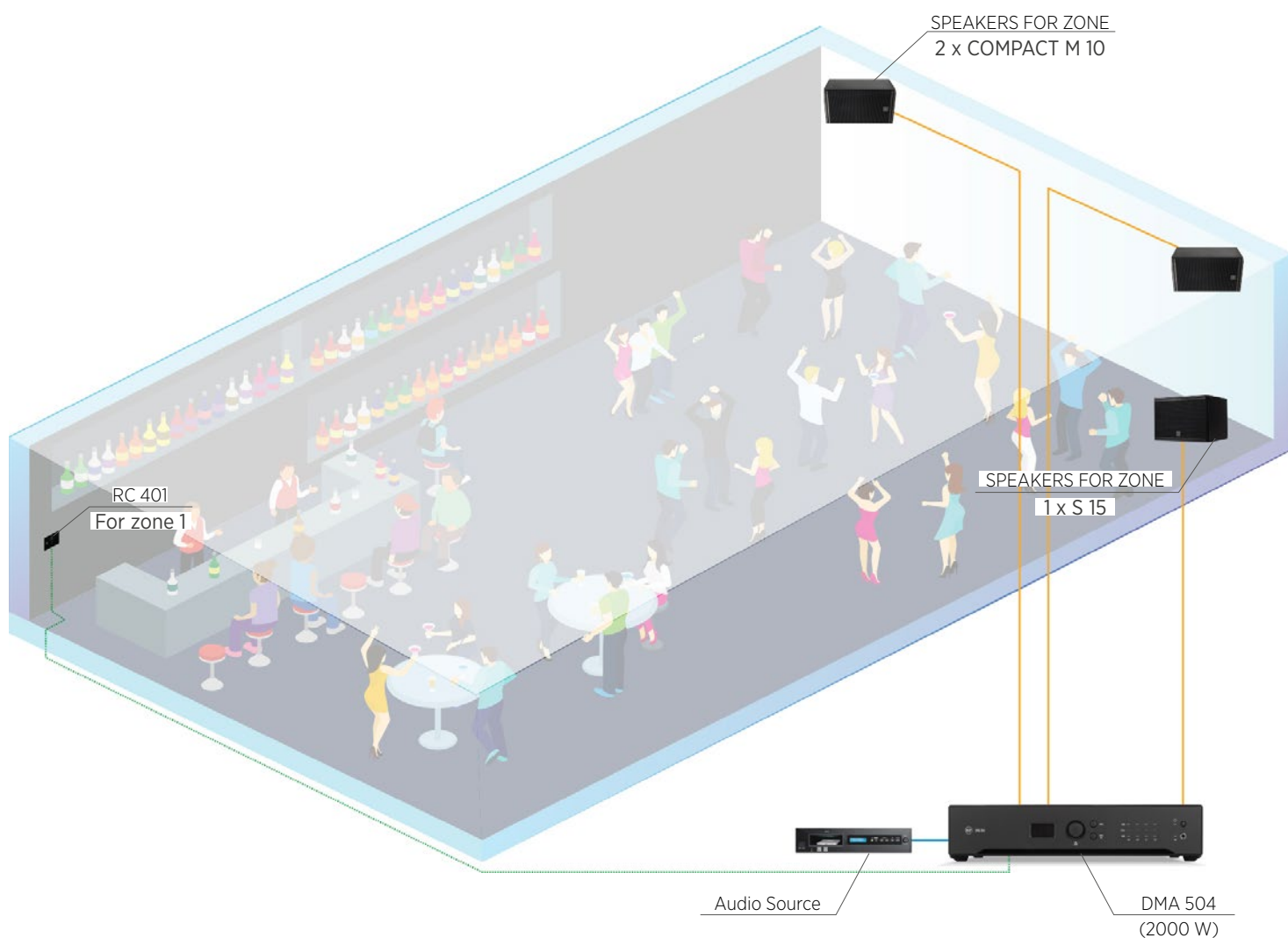
ZONES	AMPLIFIER	POWER	OUT LINES	LOUDSPEAKERS	ZONES	ACCESSORIES
3	DMA 504	960 W @ 100 W	HI IMP.	12 x WMR 60T	1 BOOK SHOP	1 X RC 401
		360 W @ 2.7 ohm	LOW IMP.	6 x COMPACT M 04	2 FURNITURE SHOP	1 X RC 401
		540 W @ 2.7 ohm	LOW IMP.	3 x COMPACT M 08	3 VIDEO GAMES SHOP	1 X RC 401

— Amplifier output — Audio input — Accessories — 4 channels audio bus — Mute from emergency system



# DANCE FLOOR

High power sound system with subwoofer for Clubs and Disco.



ZONES	AMPLIFIER	POWER	OUT LINES	LOUDSPEAKERS	ZONES	ACCESSORIES
1	DMA 504	2 X 300 W @ 8 ohm	LOW IMP.	2 x COMPACT M 10	DANCE	1 X RC 401
		500 W @ 8 ohm	LOW IMP.	1 x S 15		

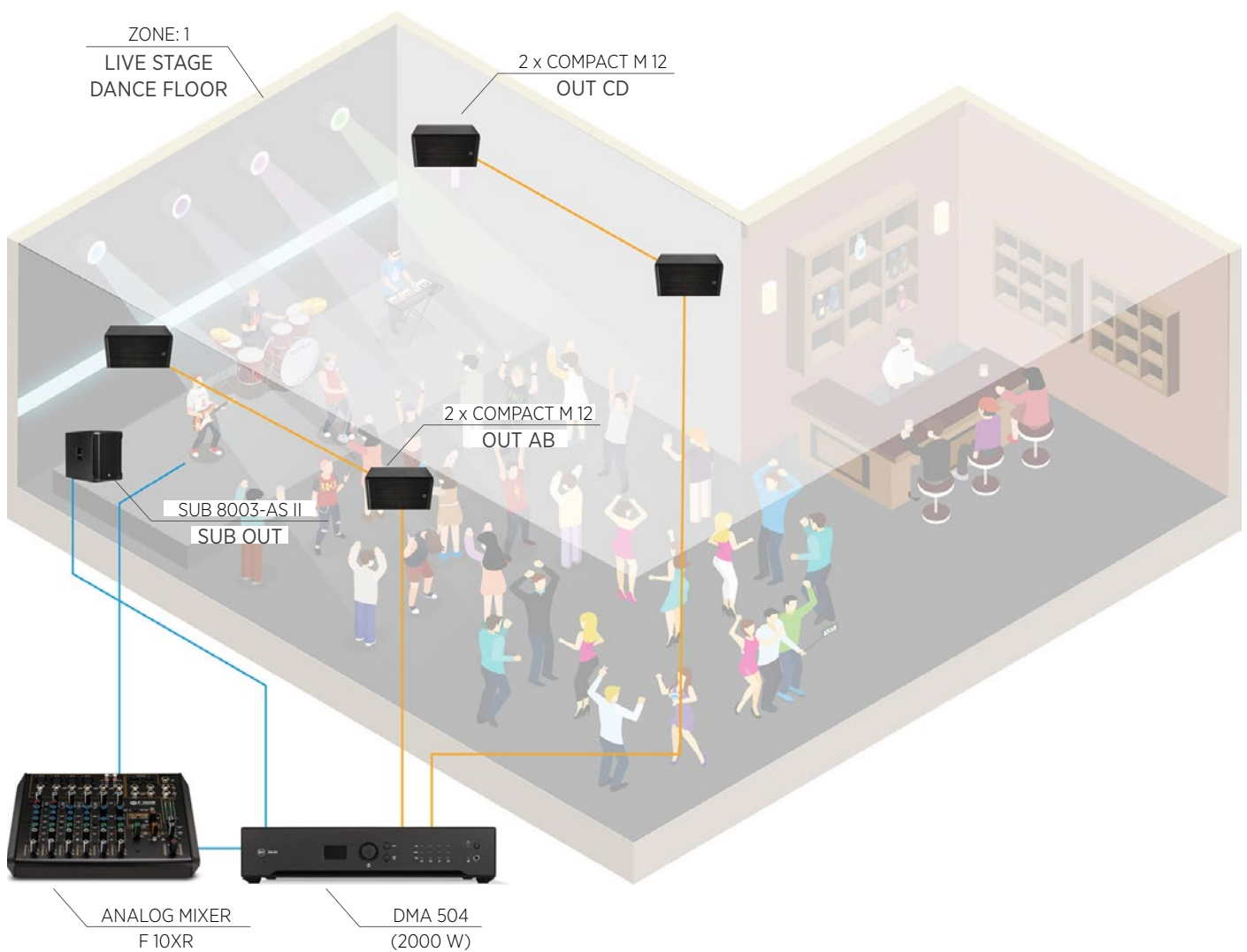
— Amplifier output  
 — Audio input  
 — Accessories  
 — 4 channels audio bus  
 — Mute from emergency system

RCF provides examples of typical applications using various products as a general guideline, not intended as a reference for installers.

# APPLICATION EXAMPLES

## LIVE STAGE

High power foreground music system for live exhibitions in a Club.



ZONES	AMPLIFIER	POWER	OUT LINES	LOUDSPEAKERS	ZONES
1	DMA 504	2000 W	LOW IMP.	4 x COMPACT M 12 SUB 8003-AS II	LIVE STAGE / DANCE FLOOR

— Amplifier output — Audio input — Accessories — 4 channels audio bus — Mute from emergency system





[www.rcf.it](http://www.rcf.it)

HEADQUARTERS:

RCF S.p.A. Italy  
tel. +39 0522 274 411  
e-mail: [info@rcf.it](mailto:info@rcf.it)

RCF UK  
Int. +44 (0) 1702 800846  
e-mail: [info@rcfaudio.co.uk](mailto:info@rcfaudio.co.uk)

RCF France  
tel. +33 6 24 15 81 76  
e-mail: [france@rcf.it](mailto:france@rcf.it)

RCF Germany  
tel. +49 2203 925370  
e-mail: [germany@rcf.it](mailto:germany@rcf.it)

RCF Spain  
tel. +34 91 817 42 66  
e-mail: [info@rcfaudio.es](mailto:info@rcfaudio.es)

RCF Benelux  
tel. +49 (0) 2203 9253724  
e-mail: [benelux@rcf.it](mailto:benelux@rcf.it)

RCF USA Inc.  
tel. +1 732-9026100  
e-mail: [info@rcf-usa.com](mailto:info@rcf-usa.com)