



**HDL 28-A** SYSTEM

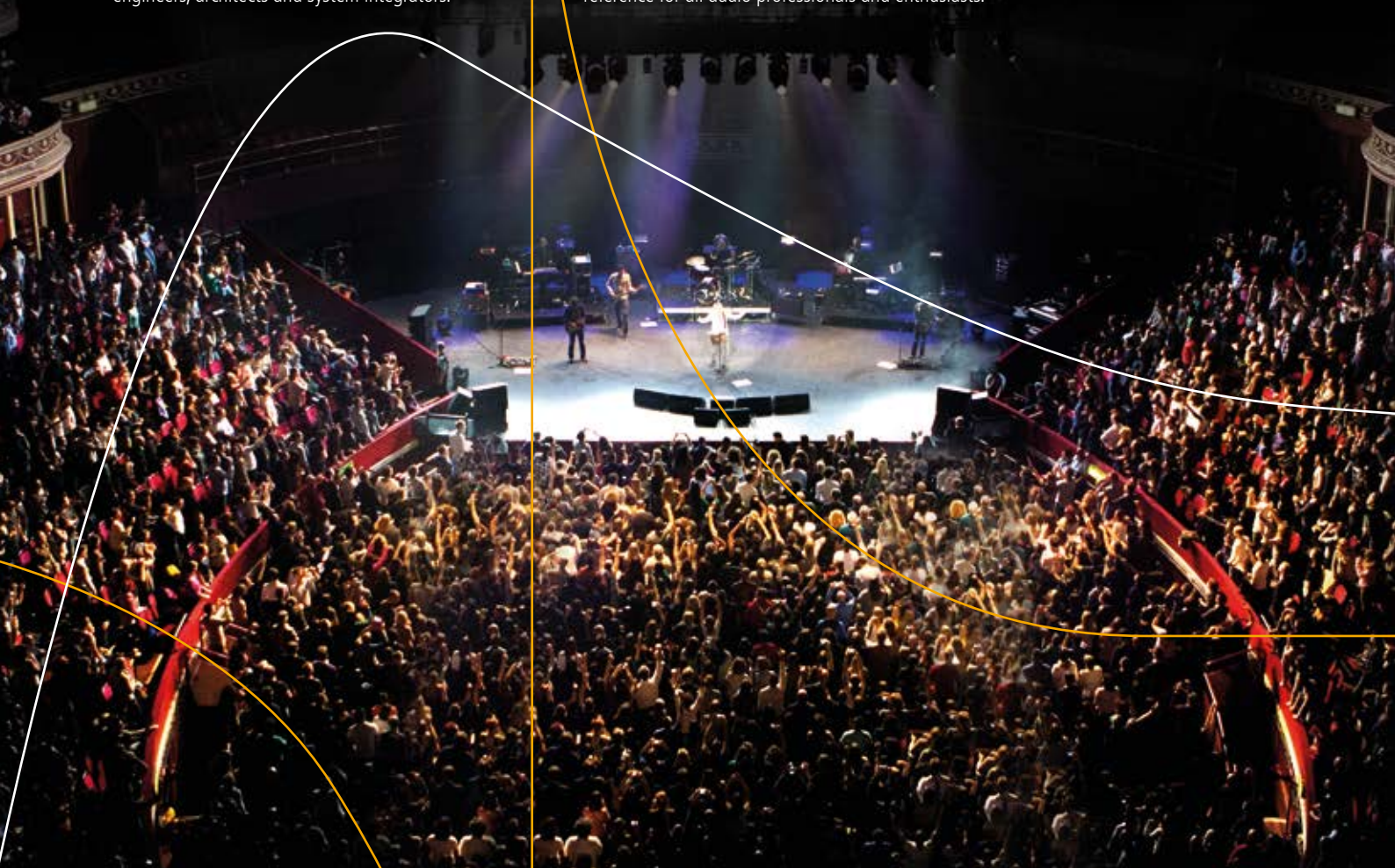
# RCF Sound Culture

## AT RCF WE CARE ABOUT YOUR SOUND

Since 1949 RCF has been committed to the perfect reproduction and amplification of sound in the fields of professional audio for events, music, broadcast and public address. We bring typical Italian passion for perfection and good design in the world of professional audio. RCF researches and develops every product from scratch, to ensure the maximum quality and reliability to the final user. The complete range of products covers all the aspects of the audio chain and all the requirements of musicians, sound engineers, architects and system integrators.

RCF markets its products through sales offices in the United Kingdom, Germany, France, Spain, the United States, and a network of trusted professional distributors in the rest of the world.

RCF has always shared the knowledge, experience, and skills of its engineers in training activities, seminars, and demos for all audio professionals. At the same time, the internal support engineering team assists customers with the design of complex systems. The solid know-how, crafted from more 70 years of history, along with continuous technological innovation, makes RCF a fundamental reference for all audio professionals and enthusiasts.



### / PRO SOUND

The concept behind our unique speaker design are derived from the touring industry, bringing in a versatile format all the experience of RCF professional sound engineers. The vocals are natural, the sound is clear at longer distances, and the SPL power is stable at very high levels. Perfect products for live sound reinforcement and reliable in various sound applications.

### / DSP

The new generation DSP handles all the processing within the cabinet and allows control of soft clipping limiters, RMS limits, amplitude and phase equalization. From the encoder on the input panel it is easy to adjust gain, low pass and high pass crossovers, delay, phase and cardioid equalization. Using the integrated RDNet remote control you can monitor and adjust all settings.

# New perspective on linearity



## FIRPHASE

RCF speakers are designed using a proprietary and advanced FIR filtering technology, conceived to deliver transparent sound, absolute clarity and perfect stereo images to the listener. The special FIRPHASE filters allow for coherent distribution of sound for all listeners without phase distortions, ensuring minimum latencies in the system.

## PHASE MATTERS

The design of the FIR filter for this specific purpose should start from an accurate measurement of the loudspeaker phase. FIRPHASE algorithm use this measurement and adapt the loudspeaker's phase without touching the amplitude equalization. The advanced technique used by FIRPHASE is a recursive method (least squares method) combined with a proprietary algorithm that calculates the best FIR filter coefficients according to amplitude and phase constrains. The algorithm corrects phase and amplitude (if necessary) by identifying the weak points of both the transducers and cabinet of the loudspeaker. This technique allows a deep control of phase at mid-low frequency with relatively small filters, while also achieving a higher resolution than that one as theory suggests.



## / TRANSDUCER INNOVATORS

RCF designs all the transducers to deliver a definite and clear sound, where the loudspeaker is able to reproduce a sound as close to the original as possible, while combining the absence of distortion. RCF develops advanced transducer technology including the application of high-tech materials and built to withstand high power levels over a long period of time.

## / RENTAL PROOF HARDWARE

The cabinets are made with the highest quality materials. From wood, plastics and metal parts to the final texture, RCF offers the maximum reliability and strength for the intensive use on the road in every product. The integrated mechanics allow the system engineer to create any configuration easily and safely.



# NETWORKED CONTROL AND MUCH MORE

RDNet is a robust management network and control platform for small, medium and large arena-sized sound systems, as well as complex and extended installations. Based on proprietary network protocol, RDNet provides intuitive control and monitoring of every connected device/object in the RCF audio system. Each device has DSP to address specific presets or modifications of parameters to single or to groups of objects. A network user can change level, delay, EQ (linear phase FIR as well) and other settings, including advanced subwoofer configurations. RDNet is not only designed for loudspeakers—you can control parameters and routing of multiple RCF devices, such as digital matrixes or amplifiers.



- Array and Zones Grouping
- Multiple-type EQ, Bass Shaper and FIRPHASE EQ
- Auto Scan and complete monitoring
- Shape Designer Array Calculator
- Subwoofer configuration tool
- Adjust hi-pass, EQ, gain, and delay on individual components
- Complete Real-Time Monitoring
- Automatic Cluster Size shaping and Air Compensation

## / DOWNLOAD THE SOFTWARE



RDNet software is available for free for registered users on RCF's website Download Section.

## / SHAPE DESIGNER

The straight-forward Shape Designer prediction software enables two-dimensional acoustic simulation of the array configuration and suggests simple and corrective subwoofer combinations. The system curvature angles and sound projection data are computed with maximum sound pressure levels for the given design. The software provides system curvature and weight, system rigging point, and cabinet angles.



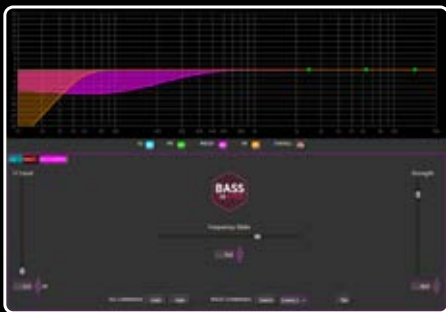
### MONITOR AND MANAGE

The RDNet Scan function sequentially scans all audio devices, recognizes, and assigns digital address labels, and adds devices as objects in the main window. Real-time monitoring features a multitude of parameters such as fan speed, temperature, the inclination of a single speaker, VU Meters, peak levels and more. The operator has complete control of time delay and equalization of every speaker, individually or grouped.



### ADVANCED EQUALIZERS

RDNet takes direct control on the internal EQ and High-Pass filter on each cabinet. There are many EQ types to choose from: PEQ, Shelving (hi-low), Butterworth, Linkwitz-Riley, Elliptic and Bessel. EQ can be managed in two different modes for fast editing on touchscreens. Every Zone has three different fixed equalizers with gain control. Each Array Group has global control of the FIRPHASE Gain for parallel increment/decrement of the Zone FIRs.



### SET-UP ASSISTANT

The system designer chooses the best way to configure the system: offline for the remote designer, or online for selecting Soundcheck or Concert modes, for safer system control during the show. The Bass Shaper fine-tunes the desired timbre on low frequencies. With three slides and a few steps, it's easy to correct low-end behavior, while maintaining tonal balance across the entire system.

### GET THE MOST OF YOUR SYSTEM

All objects can be controlled in Groups for easy supervision. Multiple customizable Group properties: Zones, Air Compensation, Cluster Size, FIRPHASE Gain. When you assign Group Array objects in Zones: every Zone has its own color for quick reference of set parameters. An incremental control shapes the Air Absorption Compensation, which can be very useful in case of humidity or temperature changes (e.g. soundcheck on a sunny day, concert by night).

## / NETWORKED SPEAKER CONTROL

The System Engineer has complete control of time delay and equalization of every speaker, individually or grouped. Each device, with its built-in communication board and DSP, is an active part of the system, able to store presets, receive commands and continuously send status information. Comprehensive monitoring is standard in RDNet: VU metering, clip indicator, limiter intervention, device inclination, communication issues — down to the status of a single component or a transducer—and much more.

## / EASY SUBWOOFER CONFIGURATION

Guided subwoofer configurations help the engineer to set up subwoofer Cardioids, Arcs or EndFire configurations in one pass, while the Bass Shaper fine-tunes the desired timbre on low frequencies. With three slides and a few steps, it's easy to correct low-end behavior, while maintaining tonal balance across the entire system.

# HDL 28-A

## ACTIVE TWO-WAY LINE ARRAY MODULE

The RNet management network has been introduced to the new HDL 28-A. Because the woofer is a 2 x 8" device, with 2.5" voice coil and a 2200W Class-D amplifier, it is capable of far more bottom end for a wide range of applications, both indoors and outdoors, with an emphasis on vocal intelligibility. The proprietary 4 PATH waveguide paired with a 3-inch titanium compression driver creates precise coverage of 100 x 15 degrees and constant directivity without sign of break up or attenuation from 750 Hz. The symmetrical design of the cabinet delivers identical left and right coverage, FIRPHASE zero-degree phase processing, and ultra-linear amplitude response produce excellent playback clarity up to 135 decibel SPL max. The RCF HDL 28-A features state-of-the-art RCF transducers with lightweight neodymium magnets on a composite material cabinet, providing remarkably low weight for easy handling and flying.



### / THE ACOUSTIC BEAUTY OF THE SYMMETRY

The symmetrical design of the cabinet produces identical left and right coverage. The component positioning and special DSP crossover filtering of the HDL 28-A take care of the constant directivity without spots of break up or attenuation. The specially-designed front baffle provides coplanar woofers, controlled LF dispersion and a central space to host the 4PATH waveguide. The heavy-duty front grille is powder coated with a special transparent-to-sound foam backing inside helps to further protect the transducers from dust. A rain cover is also available.

### ADVANTAGES

- High Power
- Low Weight
- Symmetrical acoustic design
- RNet remote control and monitoring
- Emphasis on vocal intelligibility
- Easy to stack and fly

- 135 dB SPL Max
- 2200W peak 2-way Class-D switching amplifier
- 50 ÷ 20000 Hz Frequency Range
- 100° x 15° wide, constant directivity coverage angle
- 3.0" diaphragm titanium compression driver
- 2 x 8" high power neodymium Woofer
- 750 Hz Crossover Frequency
- **FIRPHASE**
- RNet remote monitoring and control
- 294x569x491 mm - 11.57x22.4x19.33 in (HxWxD)
- 21 kg - 46.3 lbs

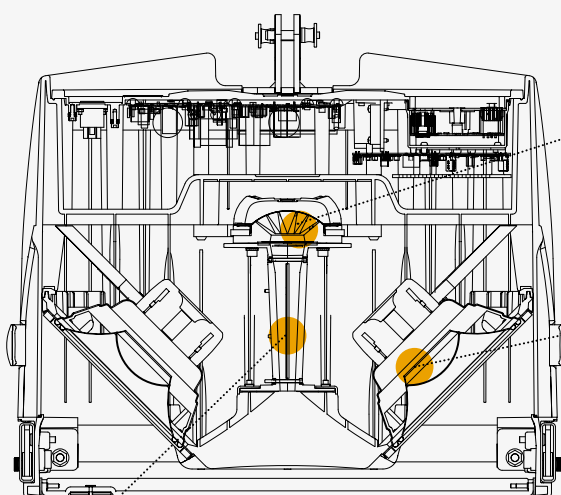
“ superior  
vocal clarity ”



### / FIRST CLASS TRANSDUCERS

#### INSIDE VIEW

The RCF HDL 28-A features state-of-the-art RCF transducers with neodymium magnets. RCF's experienced engineering teams have specially developed and matched each component — starting from the power supply through the input board, to the amplifiers and transducers, right up to the complete HDL 28-A System.



#### / HIGH FREQUENCIES

- High-performance RCF ND840
- 3.0-inch diaphragm titanium compression Driver
- 1.4-inch exit throat
- 750 Hz Crossover Point

#### / LOW FREQUENCIES

- 2 X 2.5" voice coil neodymium 8" Woofers
- Linear low frequencies handling down to 65 Hz
- Water resistant fiber doped cone
- Polycotton M-roll surround
- Vented magnetic structure

The custom 4 PATH-designed waveguide allows precise coverage of 100 x 15 degrees, while also delivering an excellent, linear high-frequency response. The unique shape of the four ducts forming the guide creates an ideal isophasic load from 750 Hz to the highest audible frequencies.



**RDNET  
ON BOARD**



p.n. 130.00.579 (90-240V) BLACK  
p.n. 130.00.605 (90-240V) WHITE



### / FLYING ATTITUDE

The advanced rigging concept derives directly from its big brothers: the RCF HDL 30-A and HDL 50-A. The integrated mechanics are both fast and reconfigurable, allowing the system engineer to create J-shapes and spiral arrays. The hardware is designed for easy and fast setup. The angle can be adjusted on the ground before the system is hung and slipped automatically into the correct position as the array is pulled up. Up to 20 HDL 28-A modules can be fastened on a single flybar.

# 36

## HDL 36-AS

### ACTIVE FLYABLE SUBWOOFER MODULE

Theatrical and indoor requirements often need space in front of the stage, leaving no space for subwoofers. The **HDL 36-AS is the ideal flyable bass complement for the HDL 28-A array system**. It features one 4.0" voice coil, 15" Neodymium woofer to handle 135 dB SPL Max from 40 Hz to 140 Hz with maximum linearity and low distortion. The built-in 3200 Watt Class-D amplifier delivers excellent playback clarity and up to 135 decibels SPL max. With RNet compatibility, the HDL 36-AS is part of the professional HDL System.



The hardware is designed for an easy and fast setup, completely compatible with HDL 28-A rigging. The heavy-duty front grille is powder coated. A special transparent-to-sound foam backing inside helps to further protect the transducers from dust. A rain cover is also available.



p.n. 130.00.583 (90-240V)



### / POWERFUL CLASS D AMPLIFIER

RCF's Class-D power amplifier technology packs with high-efficiency into a lightweight solution. HDL amplifiers deliver a ultra-fast attack, realistic transient response, and impressive audio performance.

The amplifier features a solid machined aluminium structure which not only stabilizes the amplifier during transportation but also helps the fan-less heat dissipation. All the HDL amplifiers present SMPS power supply section to produce maximum output and minimum weight.



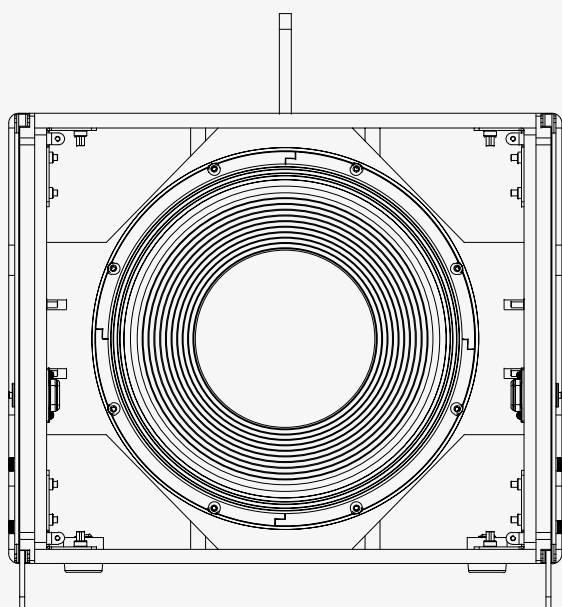
**RNET  
ON BOARD**

- 135 dB Max SPL
- 3200W Amplifier
- 40 ÷ 140 Hz frequency response
- 15" Neodymium Woofer, 4.0" voice coil
- RNet Networked Management
- 458x569x592 mm - 18x22.4x23.31 in (HxWxD)
- 37 kg - 81.57 lbs





## INSIDE VIEW



### / PRECISION TRANSDUCERS

Our latest developments have resulted in designing state-of-the-art neodymium magnetic circuits, radically new voice coil ventilation systems and ground breaking direct drive voice coil assemblies.

### / LEGENDARY WOOFERS

RCF subwoofers are the first choice of many sound engineers, due to the very high SPL levels at very low frequencies, smaller dimensions compared to the competitors, self-powered design, RDNet remote control, cardioid configuration options and impressive size/weight to SPL output ratio. Your audience will enjoy an engaging immersive experience.



# SUBWOOFERS

## SUB 9006-AS

### ACTIVE HIGH POWER SUBWOOFER

The SUB 9006-AS has been designed to render effortless low frequency transients with a very fast response. As a self-powered system, the transducers, amplification and DSP control electronics of the SUB 9006-AS are designed to optimize performance and maximize power. The SUB 9006-AS's low tuned cabinet houses two RCF Precision new back-vented long-excursion high-power 18" inch cone drivers, providing a fast and controlled reproduction of the bass frequency range. It features a four-layer 4" inside/outside voice coil to minimize power compression and extend the life of this product.

#### / HEAVY DUTY CABINET

The cabinet is in made of high-quality birch plywood with every layer glued with a special water resistant adhesive that makes the cabinet weatherproof. The heavy-duty front grille integrates a central reinforcement bar and is powder coated. The SUB 9006-AS is equipped with 8 aluminum handles (4 per side) with ergonomic rubber handgrip and can be equipped with transportation front cart.

#### / TWO INDEPENDENT CHANNELS

Two separate Class-D amplifiers ensure top efficiency levels and maximum reliability for an extensive use of the subwoofer during tours. Each amplifier delivers 3600W to the 18" woofers and the regulated power supply guarantees full power from 100V to 260V.

#### CUSTOM HIGH POWER NEODYMIUM WOOFERS

The new custom designed 18" transducers join the ultimate power performance to an incredible light weight. RCF manufacture these components to deliver the cleanest, punchiest and undistorted low frequencies reproduction. In order to dissipate the heat generated by the powerful 4.0" voice coil, RCF engineers have developed a unique ventilation system that offers the best thermal dissipation and the lowest power compression.

#### / LOCKING POINTS

The front of the cabinet integrates two locking points to insert and fix the wood protection cover that designed to protect the subwoofer during transportation. The accessory is made in strong Baltic birch plywood finished with a scratch resistant paint and can be left on even when using the TTS 56-A protection cover.



**RDNET  
ON BOARD**



- 142 dB SPL Max
- 7200W
- 30 ÷ 400 Hz Frequency Range
- 2 x 18" Hyper Ventilation neodymium Subwoofer
- DSP Controlled Input Section with selectable presets
- RDNet remote monitoring and control
- Delay Control
- Baltic Birch tour grade cabinet
- 558x1188x785 mm - 22.0x46.8x30.9 in (HxWxD)
- 86 kg - 189.59 lbs

p.n. 130.00.494 (90-240 V)



## SUB 9004-AS

### ACTIVE HIGH POWER SUBWOOFER

The SUB 9004-AS is a single 18" high power active subwoofer. It employs a state-of-the-art transducer featuring a hyperventilated high power neodymium magnetic circuit with 4" voice coil. The extremely high-power amplifier is a new design that delivers extended low frequency performance. Ruggedly-designed, is perfect for AV rental companies.

#### STACKING HDL 28-A

HDL 28-A can be vertically stacked on top of the SUB 9004-AS.

#### HDL 28-A



Sophisticated DSP is at the core of a fully-featured input section, providing user selectable cross-over functionality, polarity optimization, protection, dynamic limiting and discrete component optimization.

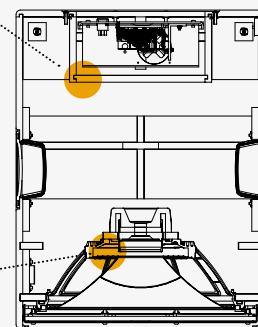


p.n. 130.00.546 (90-240 V)

#### INSIDE VIEW

##### / PLYWOOD CABINET

The cabinet is made of high-quality birch plywood. Every layer is glued with a special water resistant adhesive that makes the cabinet weatherproof. The subs are stackable and light-weight, for easy set-up and tear down. A pole receptacle on top and side allows the woofer to be deployed in various configurations.



##### / HYPERVENTED HIGH-POWER NEODYMIUM WOOFER

The new custom-designed 18" transducer combines power and performance with an incredibly light weight enclosure. In order to dissipate the heat generated by the powerful 4.0" voice coil, RCF engineers have developed a unique ventilation system that offers the best thermal dissipation and the lowest power compression.



**RDNET  
ON BOARD**

- 136 dB SPL Max
- 2800W power rating
- 30 ÷ 400 Hz Frequency Range
- 1 x 18" Hyper Ventilation Neodymium Subwoofer
- DSP Controlled Input Section with selectable presets
- RDNET remote monitoring and control
- Delay Control
- Baltic Birch Cabinet
- 700x558x700 mm - 27.56x21.97x27.56 in (HxWxD)
- 57 kg - 125.6 lbs

# CONTROL

## CONTROL 8

### 8 OUTPUT Ethernet/USB MASTER UNIT

The RDNNet Control 8 is a real-time monitor and control system able to manage up to 256 devices linked 32 per bus on 8 buses. All data is collected from the slaves are delivered to the sound engineer by USB in a local installation or by Ethernet from remote locations. The interface can be directly connected to the DSP on board of HDL products through the exclusive RDNNet protocol to address single cabinets or groups, specific presets or modification parameters in real-time. RDNNet software supports up to 20 CONTROL 8, all simultaneously linked to a computer via Ethernet, to get up to 160 RDNNet ports (up to 5120 devices).



#### / COMMUNICATION FLEXIBILITY

The link between the PC and the RDNNet Control 8 unit can be made through USB port or Ethernet port.



#### / TOPOLOGY FLEXIBILITY

The RDNNet Control 8 unit can manage up to 8 subnets. Up to 32 audio devices can be connected to each subnet (8 subnets x 32 = total 256 audio devices).



p.n. 171.70.154

- RDNNet control and monitoring in a single device by Ethernet or USB
- Up to 8 subnet of up to 32 slaves devices
- Automatic network configuration and registration
- Slave devices status and functions real time control
- Monitoring and display of faults and warnings
- User configurations storage and recall

## CONTROL 2

### 2 OUTPUT USB MASTER UNIT

The RDNNet Control 2 is a hardware interface that connects RCF RDNNet compatible devices to a Personal Computer (PC) via a USB connection. The RDNNet system was developed to create a data network for monitoring and command of more systems. The RDNNet Control 2 unit can manage up to 2 subnets. Up to 32 devices can be connected to each subnet (2 subnets x 32 = total 64 devices). By addressing the various devices is handled automatically by RDNNet Control 2 interface, each device is assigned a unique address during the power on procedure of network.

For the RDNNet network operating, it is necessary to install the appropriate Software on PC, on Microsoft Windows® environment. From PC it is possible to check the operating of each single device connected to the network and edit its parameters output level, mute, equalization, delay, etc. The network and devices configuration can be saved as file in the PC and later reloaded. RDNNet is a "real-time" system: Information relating to the functioning of the devices is acquired in real-time, a feature that allows a global view of connected devices.



p.n. 171.70.163 (USB POWERED)

- RDNNet control and monitoring in a single device by USB communication
- Up to 2 subnet of up to 32 slaves devices
- Automatic network configuration and registration
- Slave devices status and functions real time control
- Monitoring and display of faults and warnings sent from slave devices
- User configurations storage and recall

“connect and manage”



## CR 16-ND

### CONTROL RACK

The CR 16-ND is a 10 Unit flight case designed to control RCF Professional speaker systems. The CR 16-ND includes one Control 8 that manages the RDNet connection up to 256 devices, one DX 1616 matrix processor that takes care of audio signals routing and processing and one CP 16 control panel to bring audio and control signals to 4 x LK 25 multipin outputs. Each LK 25 has four audio channels, two RDNet channels and two spare sends. Each signal is doubled to XLR redundant outputs.



#### / DIGITAL I/O

The DX 1616 matrix audio processor features Ethernet control, Dante redundant inputs, eight AES/EBU inputs and outputs. The signals are managed from a 40 bit floating point, high resolution DSP.

## PR 63

### POWER RACK

The Power Rack PR 63 features the PD 63 A-419 power distribution with a 63 A Cekon power input with 5m fixed cable. The three-phase power is distributed in a 32 A Cekon output, 4 x LKS19 output, 6 x Powercon output, 1 Powercon auxiliary output to power the CR 16-ND Control Rack. All outputs are equipped with individual RCBOs (Residual Current-operated Circuit-Breaker with Overcurrent protection) for maximum reliability. In case of damage, only the faulty output is missed while the rest of the system continues to function.



#### / 63-AMPERE RACK

From a single 63-Ampere Cekon connector the power rack delivers power distribution to large PA systems, including up to 12+12 left-right line array systems, a large subwoofer system and a complete stage monitoring. 32-Ampere power output for chain motors and 16-Ampere Powercon output to supply CR 16-ND are included.



p.n. 121.00.004

Dual Switch Not Included.  
Ask RCF and adapt the System to your networking protocol.



p.n. 121.00.006

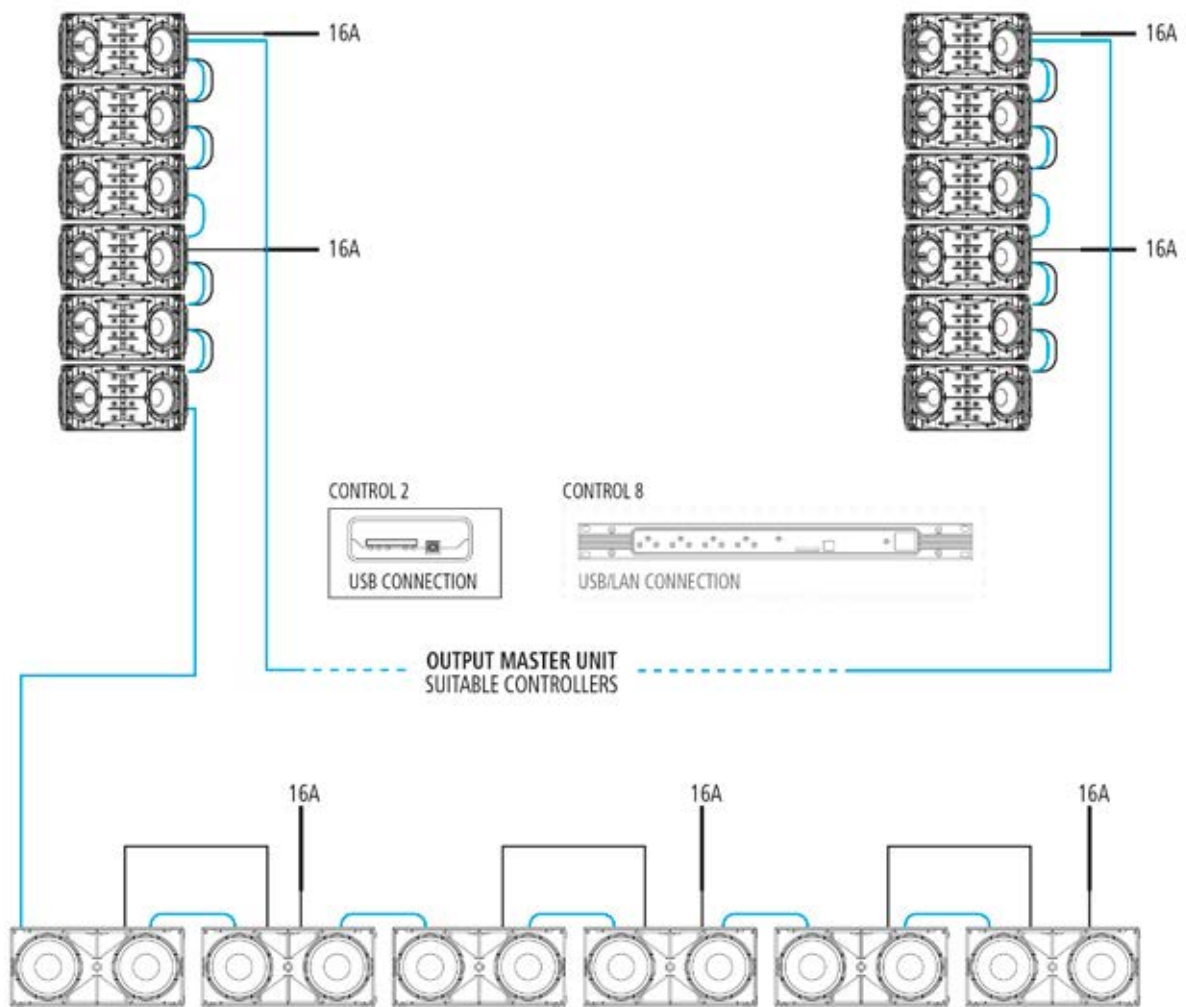
- 10 RU flight case on shock mounts
- DX 1616 matrix audio processor
- Control 8 master unit
- CP16 control panel
- 16 analog audio inputs, 16 analog audio outputs
- 8 AES/EBU inputs - 8 AES/EBU outputs
- Dante input
- 4 x LK 25 multicore audio/RDNet outputs

- 63 Ampere Cekon power input with 5 m cable
- 32 Cekon outputs
- 4 x LKS 19 outputs
- 6 x Powercon outputs + 1 Powercon auxiliary output
- 24 x individual power line RCBOs
- 32 Ampere and Auxiliary individual front RCBOs
- Tour Grade flight case construction

# S SYSTEM

— POWER DISTRIBUTION

— RD NET



## EQUIPMENT - 6 + 6 / 6 SUB

### SYSTEM

130.00.579 HDL 28-A	12
130.00.494 SUB 9006-AS	6

### SUSPENSION

133.60.411 FL-B HDL 28	2
------------------------	---

### TRANSPORTATION

133.60.412 KRT-WH 4X HDL 28	3
133.60.361 KRT-WH SUB 9006	6
133.60.422 CVR 4X HDL 28	3
133.60.363 CVR SUB 9006	6

### RAIN PROTECTIONS

133.60.362 RP 1X SUB 9006	6
133.60.388 RP 1X HDL 30	12

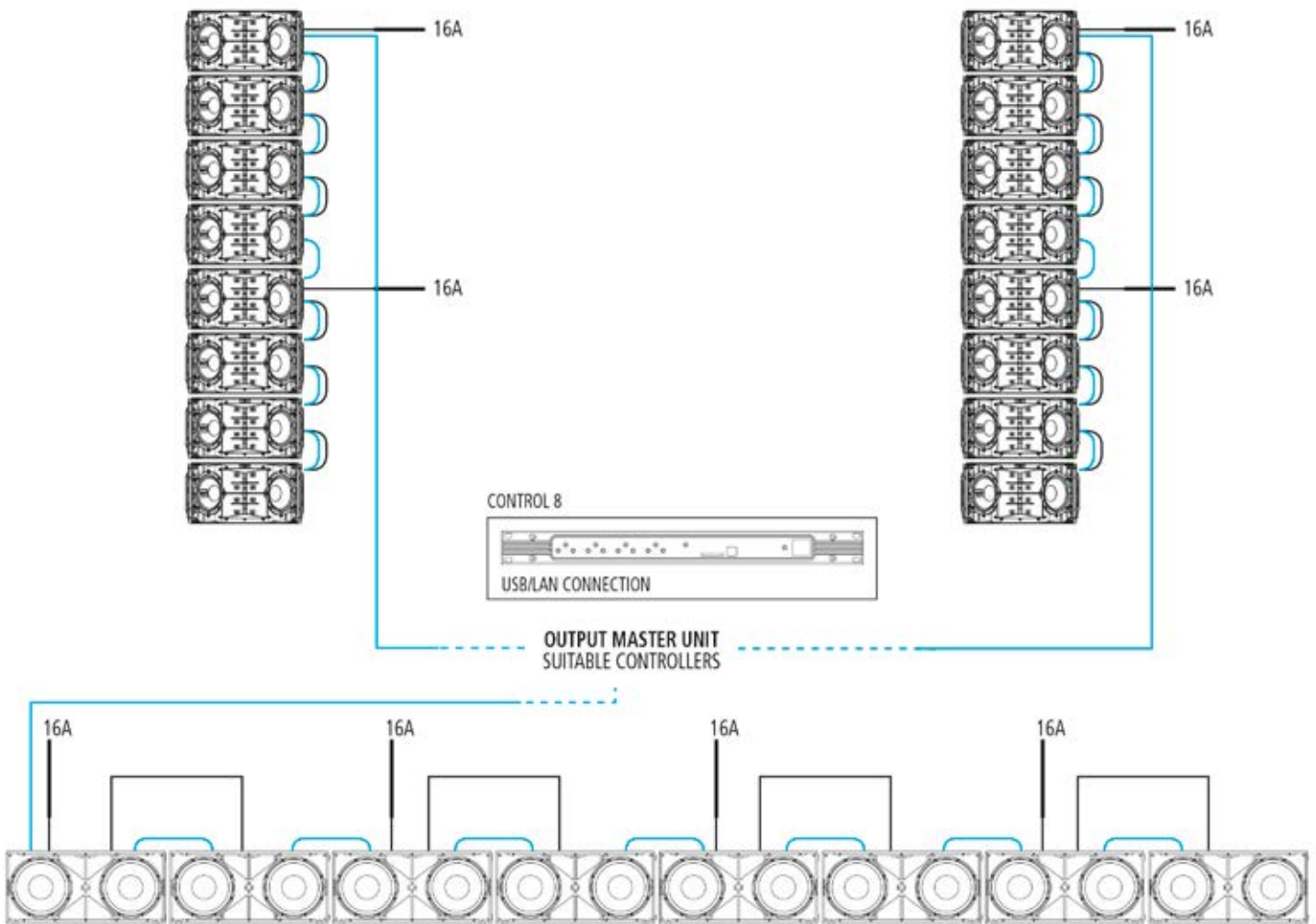
### SYSTEM CONTROL - CABLING

171.70.163 RDNET CONTROL 2	1
123.99.016 CBL ETHERCON 0.7M	10
123.99.035 CBL ETHERCON 3M	5
123.99.029 POWERCON LINK 5 M	3
123.99.031 POWERCON LINK 0.6 M	10

# M SYSTEM

— POWER DISTRIBUTION

— RD NET



## EQUIPMENT - 8 + 8 / 8 SUB

### SYSTEM

130.00.579 HDL 28-A	16
130.00.494 SUB 9006-AS	8

### SUSPENSION

133.60.411 FL-B HDL 28	2
------------------------	---

### TRANSPORTATION

133.60.412 KRT-WH 4X HDL 28	4
133.60.361 KRT-WH SUB 9006	8
133.60.422 CVR 4X HDL 28	4
133.60.363 CVR SUB 9006	8

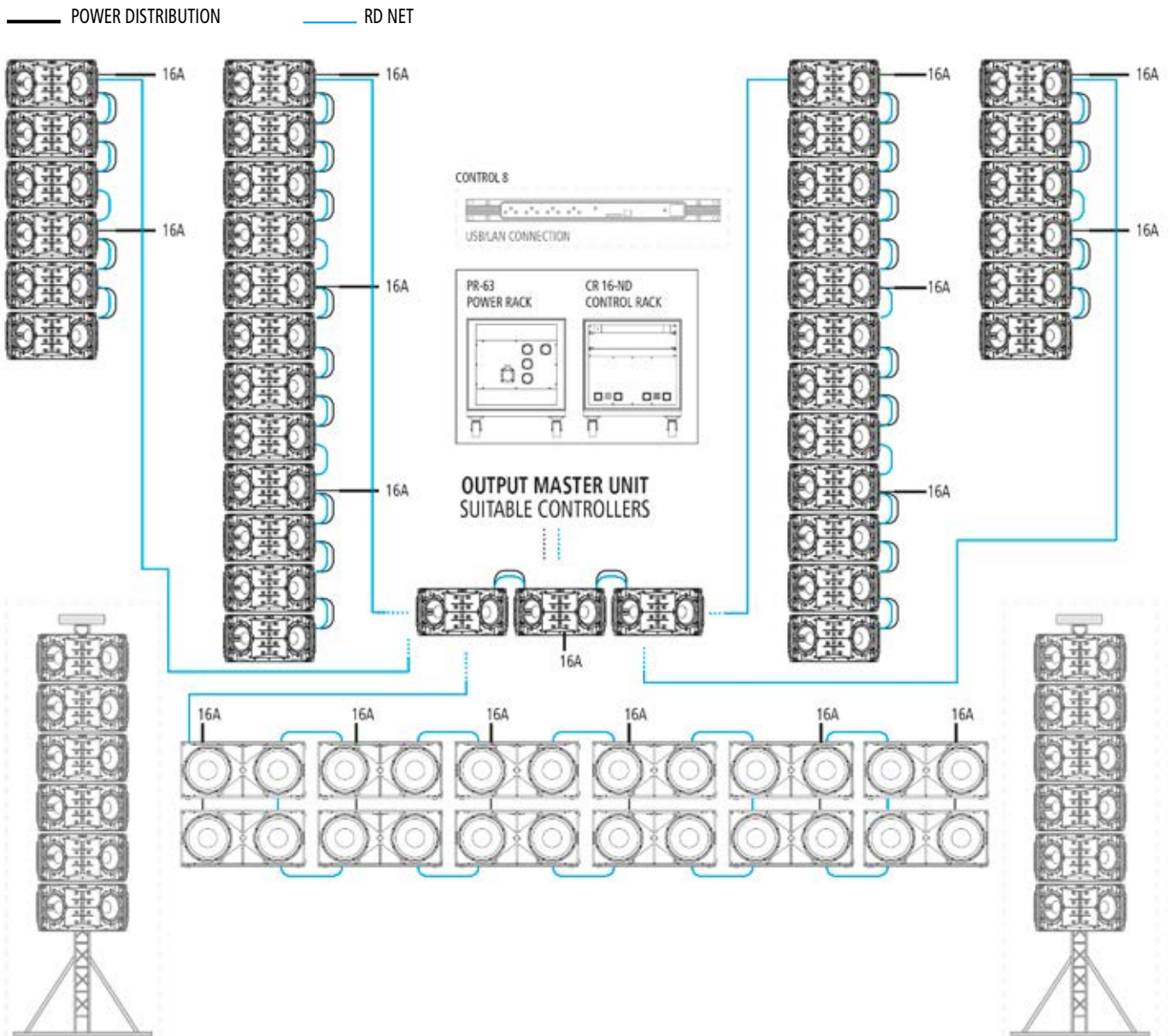
### RAIN PROTECTIONS

133.60.362 RP 1X SUB 9006	8
133.60.388 RP 1X HDL 30	16

### SYSTEM CONTROL - CABLING

171.70.154 RDNET CONTROL 8	1
123.99.016 CBL ETHERCON 0.7M	14
123.99.035 CBL ETHERCON 3M	7
123.99.029 POWERCON LINK 5 M	4
123.99.031 POWERCON LINK 0.6 M	12

# L SYSTEM



## EQUIPMENT 12 + 12 / 10 SUB - DELAY TOWERS 6 + 6 - FRONT FILL 3 - SIDE FILL 12

### SYSTEM

130.00.579 HDL 28-A	39
130.00.494 SUB 9006-AS	12

### SUSPENSION

133.60.411 FL-B HDL 28	4
------------------------	---

### TRANSPORTATION

133.60.412 KRT-WH 4X HDL 28	10
133.60.361 KRT-WH SUB 9006	12
133.60.422 CVR 4X HDL 28	10
133.60.363 CVR SUB 9006	12

### RAIN PROTECTIONS

133.60.362 RP 1X SUB 9006	12
133.60.388 RP 1X HDL 30	39

### SYSTEM CONTROL - CABLING

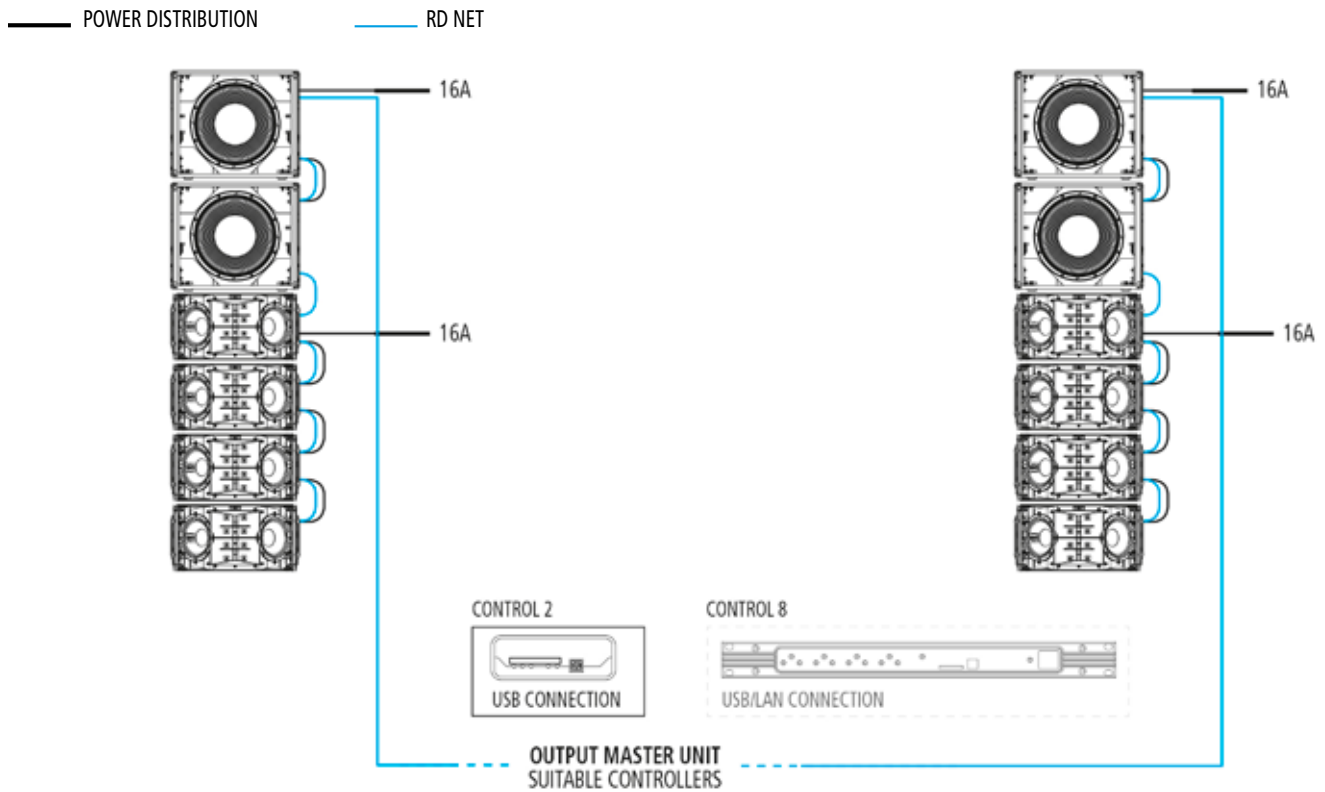
121.00.004 CR 16-ND	1
123.99.016 CBL ETHERCON 0.7M	35
123.99.035 CBL ETHERCON 3M	11
123.99.022 CBL LK 25 MULTIPIN 20M	4
123.99.019 CBL ETHERCON TO XLR F 0.2M	4

### POWER DISTRIBUTION - CABLING

121.00.006 PR 63	1
123.99.029 POWERCON LINK 5 M	2
123.99.031 POWERCON LINK 0.6 M	28
123.99.021 CBL LKS 19 ARRAY FANOUT	2
123.99.025 CBL LKS 19 SUB FANOUT	2
133.60.146 CBL LKS 19 POWER 20M	4



# FLOWN SYSTEM



## EQUIPMENT 4 + 2 SUB / 4 + 2 SUB

### SYSTEM

130.00.579 HDL 28-A 100-240V	8
130.00.583 HDL 36-AS 100-240 V	4

### SUSPENSION

133.60.411 FL-B HDL 28	2
------------------------	---

### TRANSPORTATION

133.60.412 KRT-WH 4X HDL 28	2
133.60.431 KRT-WH 3X HDL 36	2
133.60.422 CVR 4X HDL 28	2
133.60.434 CVR 3X HDL 36	2

### RAIN PROTECTIONS

133.60.388 RP 1X HDL 30	8
-------------------------	---

### SYSTEM CONTROL - CABLING

171.70.163 RDNET CONTROL 2	1
123.99.016 CBL ETHERCON 0.7M	10
123.99.031 POWERCON LINK 0.6 M	8
123.99.020 CBL ETHERCON TO XLR M 0.2M	2

# ACCESSORIES

## RIGGING

p.n. 13360411 **FL-B HDL 28**

Flybar for HDL 28-A or HDL 36-AS + 1x Pickup Tab with Shackle + Stacking Bar + Mounting Bracket for inclinometer. Pins included.

p.n. 13360432 **FL-B HDL 28 W**

Flybar (white) for HDL 28-A W or HDL 36-AS + 1x Pickup Tab with Shackle + Stacking Bar + Mounting Bracket for inclinometer. Pins included.

## STACKING

p.n. 13360109 **AC PRO-FS**

Professional loudspeaker floor stand

p.n. 13360111 **AC PRO-LF**

Professional adapter sleeve for loudspeaker floor stand

p.n. 13360110 **AC PRO-PM**

Adjustable pole accessory for satellite loudspeaker on a subwoofer

p.n. 13360067 **PM-KIT M20**

Adjustable pole for subwoofer

p.n. 13360068 **AC PMA TT**

Adjustable speaker pole M20

p.n. 13360034 **AC PMA**

Adjustable speaker pole

p.n. 13360035 **AC S260**

Steel floor speaker stand (max load 60 kg)

p.n. 13360031 **AC EB 4X**

kit including 4 pcs M10 eye bolts

## QUICK LOCKS PINS (4X)

p.n. 13360219 **QL-PIN D9.6 L21.3 4X**

PRODUCT		POSITION	TYPOLGY
HDL 28-A	13000579	FRONT	LINK
HDL 28-A	13000579	FRONT	LOCK
HDL 28-A W	13000605	FRONT	LINK
HDL 28-A W	13000605	FRONT	LOCK
KRT-WH 4X HDL 28	13360412	FRONT	LINK

p.n. 13360220 **QL-PIN D9.6 L26.9 4X**

PRODUCT		POSITION	TYPOLGY
HDL 28-A	13000579	REAR	LINK
HDL 28-A W	13000605	REAR	LINK

p.n. 13360222 **QL-PIN D9.6 L31 4X**

PRODUCT		POSITION	TYPOLGY
FL-B HDL 28	13360411	FRONT	LOCK
FL-B HDL 28	13360411	REAR	LINK

## TRANSPORTATION

p.n. 13360431 **KRT-WH 3X HDL 36**

HDL 36-AS cart to store and transport up to 3 modules

p.n. 13360412 **KRT-WH 4X HDL 28**

Kart with wheels for 4 HDL 28-A

p.n. 13360361 **KRT-WH SUB 9006**

Kart for 1 SUB 9006-AS

p.n. 13360385 **KRT-WH SUB 9004**

Kart for 1 SUB 9004-AS

p.n. 13360238 **WH PRO 4X**

Kit 4 swivel castor 100mm wheels with roller bearing

## COVERS

p.n. 13360434 **CVR 3X HDL 36**

Cover for 3 pieces of HDL 36-AS on cart

p.n. 13360422 **CVR 4X HDL 28**

Cover for 4 pieces of HDL 28-A on cart

p.n. 13360363 **CVR SUB 9006**

Cover for 1 SUB 9006-AS

p.n. 13360397 **CVR SUB 9004**

Cover for 1 SUB 9004-AS

## RAIN PROTECTIONS

p.n. 13360362 **RP 1X SUB 9006**

Rain cover to protect SUB 9006-AS input board

p.n. 13360388 **RP 1X HDL 30**

Set of 2x rain covers to protect HDL 30-A and HDL 28-A input boards

## CONTROL AND AUDIO CABLES

p.n. 12399021 **CBL LKS 19 ARRAY FANOUT**

25 pin to 8X XLR, cable 1.0 meters, fanout 1.0 meters

p.n. 12399022 **CBL LK 25 MULTIPIN 20M**

25 pin male female cable 20 meters

p.n. 12399023 **CBL LK 25 MULTIPIN 10M**

25 pin male female cable 10 meters

p.n. 12399016 **CBL ETHERCON 0.7M**

Ethercon cable 0.7 meters. Compatible with RDNET

p.n. 12399017 **CBL ETHERCON 1.5M**

Ethercon cable 1.5 meters. Compatible with RDNET

p.n. 12399035 **CBL ETHERCON 3M**

Ethercon cable 3 meters. Compatible with RDNET

p.n. 12399018 **CBL ETHERCON 5M**

Ethercon cable 5 meters. Compatible with RDNET

p.n. 12399019 **CBL ETHERCON TO XLR F 0.2M**

Adapter cable Ethercon to XLR female 0.2 meters

p.n. 12399020 **CBL ETHERCON TO XLR M 0.2M**

Adapter cable Ethercon to XLR male 0.2 meters

## POWER DISTRIBUTION

p.n. 12399024 **CBL LKS 19 ARRAY FANOUT**

Array fan out cable 0.5 - 1.3 - 2.1 - 2.9 - 3.7 - 4.5 M

p.n. 12399025 **CBL LKS 19 SUB FANOUT**

Sub fan out cable 2X 2.5 - 2X 5.0 - 2X 10.0 M

p.n. 12399026 **CBL LKS 19 BREAKOUT**

Breakout box with LKS 19 Input/Output to 6x powercon

p.n. 13360146 **CBL LKS 19 POWER 20M**

LKS 19 power cable 20 meters

p.n. 12399027 **CBL LKS 19 POWER 10M**

LKS 19 power cable 10 meters

p.n. 12399028 **CBL POWERCON LINK 10M**

Powercon link cable 10 meters

p.n. 12399029 **CBL POWERCON LINK 5M**

Powercon link cable 5 meters

p.n. 12399030 **CBL POWERCON LINK 1.5M**

Powercon link cable 1.5 meters

p.n. 12399031 **CBL POWERCON LINK 0.7M**

Powercon link cable 0.7 meters

p.n. 13360145 **CBL POWER BOX 6X**

Breakout box with LKS 19 Input/Output to 6x powercon





[www.rcf.it](http://www.rcf.it)

HEADQUARTERS:

RCF S.p.A. Italy  
tel. +39 0522 274 411  
e-mail: [info@rcf.it](mailto:info@rcf.it)

RCF UK  
Int. +44 (0) 1702 800846  
e-mail: [info@rcfaudio.co.uk](mailto:info@rcfaudio.co.uk)

RCF France  
tel. +33 6 24 15 81 76  
e-mail: [france@rcf.it](mailto:france@rcf.it)

RCF Germany  
tel. +49 2203 925370  
e-mail: [germany@rcf.it](mailto:germany@rcf.it)

RCF Spain  
tel. +34 91 817 42 66  
e-mail: [info@rcfaudio.es](mailto:info@rcfaudio.es)

RCF Benelux  
tel. +49 (0) 2203 9253724  
e-mail: [benelux@rcf.it](mailto:benelux@rcf.it)

RCF USA Inc.  
tel. +1 732-9026100  
e-mail: [info@rcf-usa.com](mailto:info@rcf-usa.com)