

BM 9802

DESK-TOP EMERGENCY MICROPHONE CONSOLE

DESCRIPTION

BM 9802 is a desk-top emergency microphone console exclusively dedicated to DXT 9000 Voice Alarm system, and can be used both for live announcements and pre-recorded messages activation. It features complete self-diagnostic functionalities and system status reporting in compliance with EN 54-16:2008 standard. Up to 16 consoles can be daisy-chained on each paging bus, and the first one is powered directly by the master unit, while the others need local 24 V DC adapters.



FEATURES

- Live emergency announcements
- Pre-recorded messages activation
- Complete self-diagnostic
- Numeric keyboard and display
- Hi-quality cardioid microphone
- Robust metal case

TECHNICAL SPECIFICATIONS

Microphone specifications	Type:	Electret
	Directivity:	Cardioid
	Sensitivity:	-65 dB
	Frequency Response (-3dB):	50 Hz ÷ 18 kHz
	Output impedance (ohm):	470.00 ohm
Console specifications	Console Type:	Emergency
	Working with	DXT 9000
	General call:	Yes
	Selective call:	Yes
	Preamplified:	Yes
	Configurable buttons:	Yes
	LED indicators:	Yes
Power requirement	Operating voltage:	24.00V - Hz
Connections	Connectors:	RJ45
	Cable:	J-Type fire-rated
	Daisy-chain:	Yes
	Max number in daisy-chain:	16
	Interlock:	Yes
Functionalities	Priority:	Yes
	Chime tone generator:	Yes
Accessories	Cable included:	Yes
	Cable length (m):	5
Standard compliance	EN54-16 certified:	Yes
	CE marking:	Yes
	CPR number:	0068-CPR-007/2015
Physical specifications	Cabinet/Case Material:	Metal
Size	Height:	44 mm / 1.73 inches
	Width:	203 mm / 7.99 inches
	Depth:	128 mm / 5.04 inches
	Weight:	1.13 kg / 2.49 lbs
Shipping informations	Package Height:	154 mm / 6.06 inches
	Package Width:	434 mm / 17.09 inches
	Package Depth:	174 mm / 6.85 inches
	Package Weight:	1.13 kg / 2.49 lbs



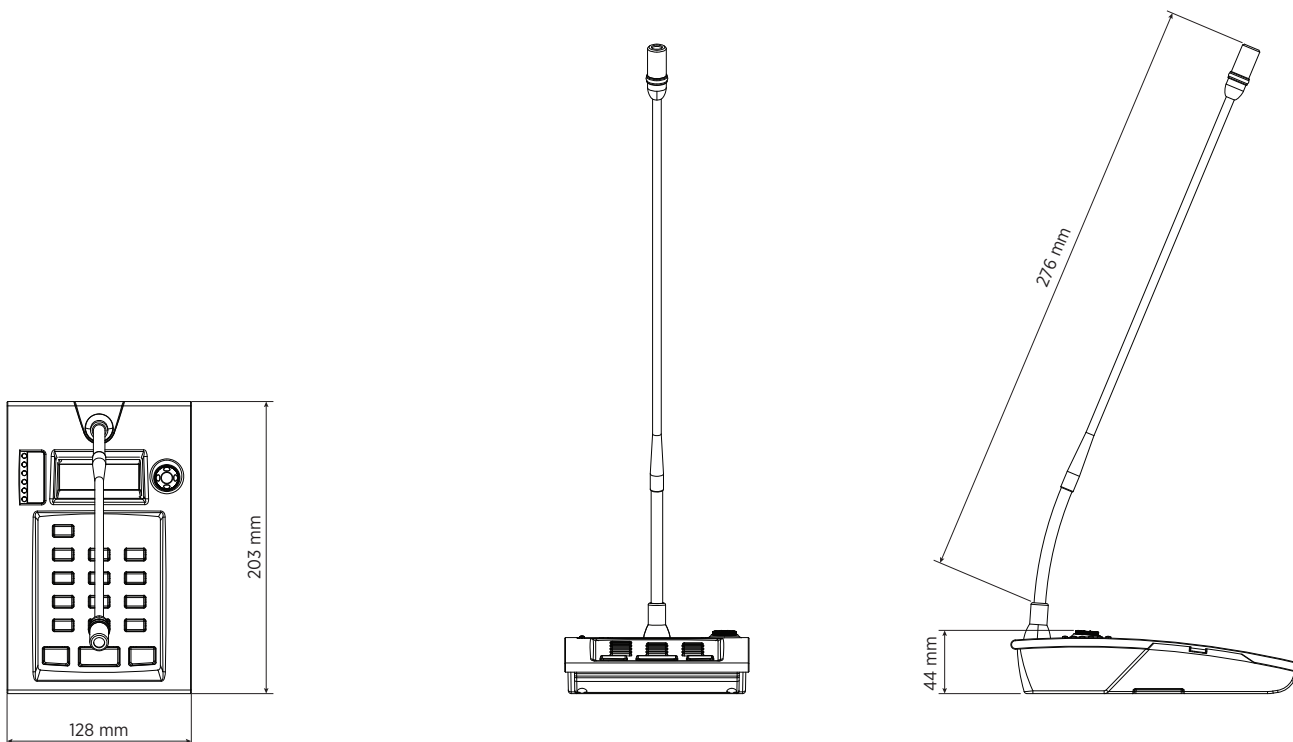
PART NUMBER

- **14380023**

BM 9802

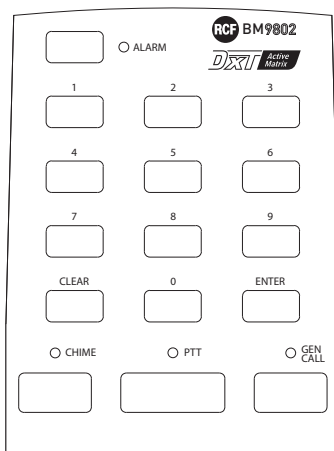
EAN 8024530007683

DRAWINGS



PANELS

Front panel



ACCESSORIES

CJ 428CAT CABLE FTP 4x2x22 AWG CAT 5E FR
(PH120)

PART NUMBER **12399047**
EAN: 8024530016449



CJ 428E CABLE 4X2X8/10 JE-H(ST)H 300/500 V
(E30/E60) (PH120)

PART NUMBER **14380021**
EAN: 8024530012397