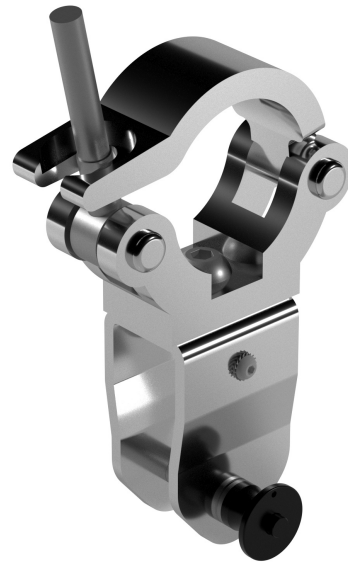


CL-BR HDL 6

CLAMP BRACKET

DESCRIPTION

Clamp Bracket for HDL 6-A, HDL 26-A, HL 6 and HL 35-S.



**TECHNICAL SPECIFICATIONS**

Standard compliance	CE marking:	Yes
Size	Height:	152 mm / 5.98 inches
	Width:	30 mm / 1.18 inches
	Weight:	0.6 kg / 1.32 lbs
Shipping informations	Package Height:	60 mm / 2.36 inches
	Package Width:	285 mm / 11.22 inches
	Package Depth:	145 mm / 5.71 inches
	Package Weight:	0.69 kg / 1.52 lbs

PART NUMBER

- **13360371**

CL-BR HDL 6

EAN 8024530014360

