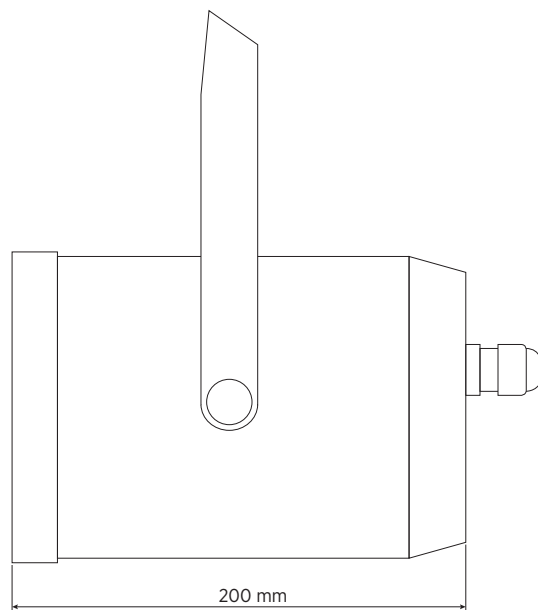
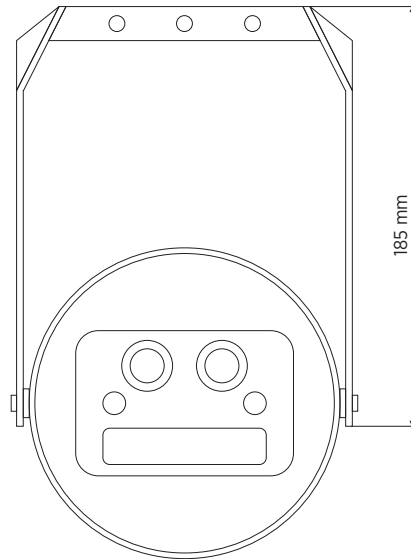
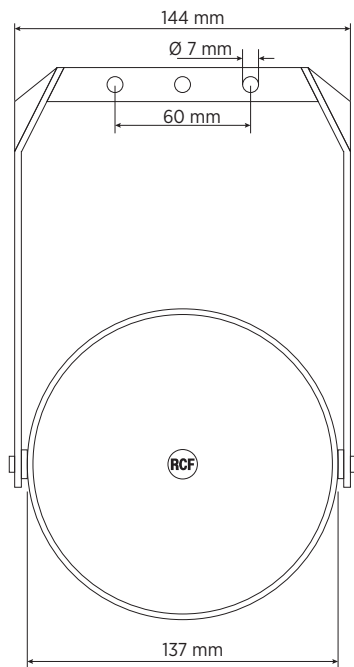


## DRAWINGS



## SCHEMATICS

