

FL-B LGT HDL 20

SUSPENDING BAR FOR HDL 20-A

DESCRIPTION

Flybar for HDL 20-A + Pole Mount + 1x Pickup Tab with Shackle + Stacking Bar. Pins included.



FEATURES

- To suspend up to 4 HDL 20-A modules
- Strong steel construction

**TECHNICAL SPECIFICATIONS**

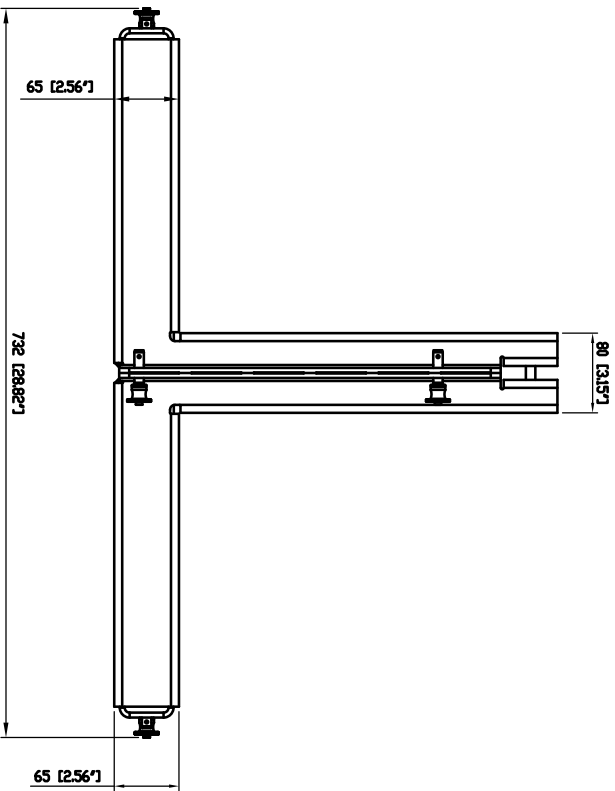
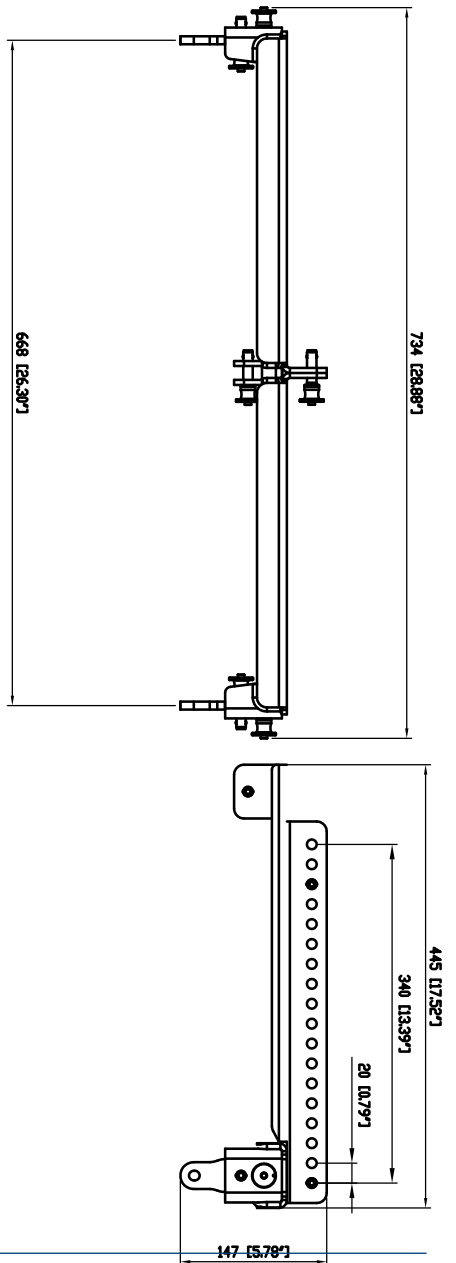
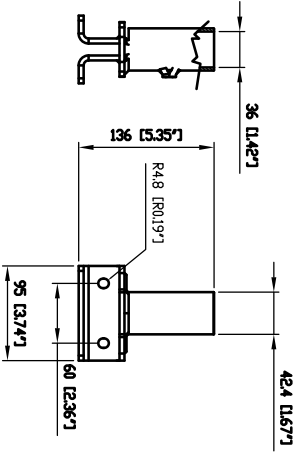
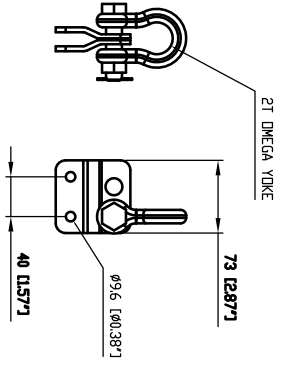
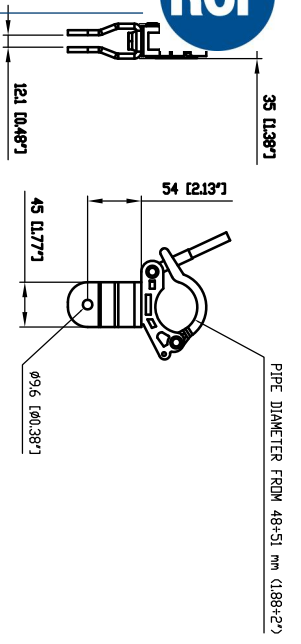
General specifications	Pins Included	7
	Max number of speaker	4
Standard compliance	CE marking:	Yes
Physical specifications	Cabinet/Case Material:	Steel
	Color:	Black
Size	Weight:	6.79 kg / 14.97 lbs
Shipping informations	Package Height:	116 mm / 4.57 inches
	Package Width:	470 mm / 18.5 inches
	Package Depth:	716 mm / 28.19 inches
	Package Weight:	11.2 kg / 24.69 lbs

PART NUMBER

- **13360229**

FL-B LGT HDL 20

EAN 8024530010225



DATASHEET